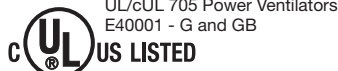


Roof & Sidewall Mounted



UL/cUL Listed 705 is standard on In Stock models



Greenheck Fan Corporation certifies that the Model G and GB shown herein are licensed to bear the AMCA Seal. The ratings shown are based on tests and procedures performed in accordance with AMCA Publication 211 and Publication 311 and comply with the requirements of the AMCA Certified Ratings Program.

Model G Direct Drive and GB Belt Drive

Centrifugal downblast fans are designed for clean air exhaust applications requiring roof mounting.

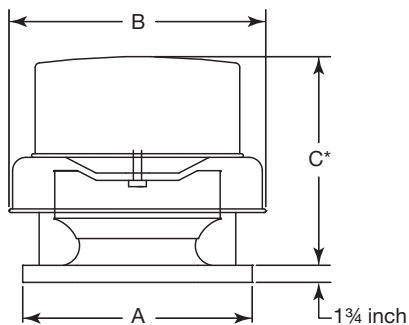
Standard Construction	G	GB	
Housing - aluminum	■	■	
Wheel - backward-inclined, aluminum	■	■	
Birdscreen - galvanized	■	■	
Corrosion-resistant fasteners	■	■	
NEMA-1 disconnect switch	■	■	
Ball bearing motor - 1/4 hp and larger	■	■	
Double-studded vibration isolators	■	■	
Three speed motor - sizes 060 through 095	■		
Lifting lugs		■	
Adjustable motor pulley		■	
Options and Accessories	Stock	G	GB
Vari-Green® motor - 80% turndown, 85% efficient <i>Available as standard on select sizes</i>	✓	■	
Damper	✓	■	■
Hinged curb cap with cables	✓	■	■
Roof curb	✓	■	■
Roof curb accessories - seals, adaptors, extensions		■	■
Speed control	✓	■	
Birdscreen - aluminum, stainless steel		■	■
Tie-down points		■	■
NEMA rated disconnect switch		■	■
Dual drives			■
Relubricatable bearings			■
Decorative or protective powder coating		■	■
Certified for high wind and seismic applications		■	■
UL/cUL Listed Power Ventilators		■	■
UL/cUL Listed Power Ventilators for Smoke Control Systems			■

Model	Best Available Program
G-060 through 095, 099 through 143	In Stock
GB-071 through 200, 240 and 300	
G-097 and 098 163 and 203	1 Day
GB-220, 260, 330 through 540	
High Pressure GB 101HP through 360HP	



Select sizes and models with the Vari-Green® motor are available in stock.

Dimensions for G, GB



Model Size	A	B	C*	Nominal Sq. Sizes		
				Damper	Roof Curb	Roof Opening
060, 065, 070, 075	17	19 ³ / ₈	12 ¹ / ₂	8	17	10 ¹ / ₂
080, 085, 090, 095	17	21 ¹ / ₄	14 ³ / ₈	10	17	12 ¹ / ₂
071, 081, 091, 097, 098, 099, 101, 103, 121, 123	19	24 ³ / ₈	23 ³ / ₄	12	19	14 ¹ / ₂
131, 133	19	28 ³ / ₈	23 ³ / ₄	12	19	14 ¹ / ₂
141, 143, 161, 163	22	28 ³ / ₈	23 ³ / ₄	16	22	18 ¹ / ₂
180, 183, 200, 203	30	35 ¹ / ₂	28	18	30	20 ¹ / ₂
220, 240	34	42 ¹ / ₄	31 ¹ / ₂	24	34	26 ¹ / ₂
260, 300	40	50	36	30	40	32 ¹ / ₂
330, 360	46	58 ³ / ₄	38 ¹ / ₂	36	46	38 ¹ / ₂
420	52	65 ¹ / ₄	44	42	52	44 ¹ / ₂
480	58	73 ³ / ₄	47 ¹ / ₄	48	58	50 ¹ / ₂
500, 540	64	83	50 ³ / ₄	54	64	56 ¹ / ₂

All dimensions are in inches. Dimension A given is the inside dimension of the curb cap.
*May be greater depending on motor.



www.greenheck.com
Centrifugal Roof
Exhaust Fans



For comprehensive product information, including performance, access the product catalog found on www.greenheck.com or contact your local Greenheck representative.

Performance for G



Model Size	CFM / Static Pressure in inches wg									Motor HP	Max Fan RPM	Max Bhp	Sones @ .25	Quick Build	In Stock
	0	.125	.25	.375	.5	.625	.75	.875	1					Best Available	Direct Drive
060	138	73								1/200	1050	0.01	1.7*	1 Day	G-060-DGEX-QD
	170	125								1/100	1300	0.01	2.9*		
	203	166	120							1/60	1550	0.02	3.7		
	226	193	155	101						1/6	1725	0.02	4.7		
065	187	110								1/100	1050	0.01	2.2*	1 Day	G-065-DGEX-QD
	231	178	92							1/60	1300	0.01	2.7		
	276	232	176	96						1/30	1550	0.02	4.3		
	307	268	223	160						1/6	1725	0.03	5.7		
070	253	179								1/100	1050	0.01	2.7*	1 Day	G-070-DGEX-QD
	314	257	171							1/60	1300	0.02	2.6		
	374	327	274	190						1/30	1550	0.03	4.7		
	416	375	329	270						1/6	1725	0.04	6.3		
075	297	200								1/80	1050	0.01	3.6*	1 Day	G-075-DGEX-QD
	367	293	195							1/50	1300	0.02	3.5		
	438	377	309	214						1/25	1550	0.04	4.9		
	487	432	374	306						1/6	1725	0.05	6.2		
080	335	249	134							1/40	1050	0.02	4.2	1 Day	G-080-DGEX-QD
	415	348	272	174						1/30	1300	0.03	5.5		
	495	439	379	314	237					1/20	1550	0.06	7.2		
	551	501	449	392	332	260				1/6	1725	0.08	8.9		
085	398	307	179							1/40	1050	0.02	4.3	1 Day	G-085-DGEX-QD
	493	420	340	233						1/30	1300	0.04	5.3		
	588	528	464	394	308	168				1/20	1550	0.06	7.4		
	654	602	544	486	419	340	222			1/6	1725	0.09	9.3		
090	520	420	293							1/40	1050	0.02	4.2	1 Day	G-090-DGEX-QD
	644	565	478	373						1/25	1300	0.05	5.5		
	768	701	633	557	473	338				1/15	1550	0.08	7.4		
	855	794	735	671	600	522				1/6	1725	0.11	9.4		
095	717	570	389							1/30	1050	0.04	4.5	1 Day	G-095-DGEX-QD
	888	780	640	493	184					1/12	1300	0.07	6.4		
	1059	969	863	745	623	474				1/8	1550	0.12	8.8		
	1179	1098	1013	903	800	688	554	279		1/6	1725	0.16	11.2		

*Sones displayed are at greatest wg shown with cfm

Performance certified is for installation type A: Free inlet, Free outlet. Power rating (Bhp) does not include transmission losses. Performance ratings include the effects of a birdscreen. The sound ratings shown are loudness values in hemispherical sones at 5 ft. (1.5 m) in a hemispherical free field calculated per AMCA International Standard 301. Values shown are for installation type A: Free inlet hemispherical sone levels.

Performance for G, GB



Model Size	CFM / Static Pressure in inches wg									Motor HP	Max Fan RPM	Max Bhp	Sones @ .25	Quick Build Best Available	In Stock	
	0	.25	.375	.5	.625	.75	1	1.25	1.5						Belt Drive	Direct Drive
071 & 097	187	101								1/8	860	0.016	2.7	1 Day	GB-071-4X-QD-R2 GB-071-4X-QD-R3	-
	248	187	152	109						1/6	1140	0.039	5.1			
	274	220	188	157	114					1/4	1256	0.051	6.5			
	376	339	316	297	273	250	205			1/4	1725	0.13	11.2			
081 & 098	431	261								1/8	860	0.023	3.4	1 Day	GB-081-4X-QD-R2 GB-081-4X-QD-R3	-
	571	460	396	283						1/6	1140	0.056	6.1			
	629	530	476	410	294					1/4	1256	0.075	7.7			
	864	793	756	719	679	640	527			1/4	1725	0.19	12.3			
091 & 099	652	400								1/8	860	0.032	4.5	1 Day	GB-091-4X-QD-R2	-
	864	687	590	457						1/6	1140	0.074	7.6			
	952	793	707	614	483					1/4	1256	0.10	9.3			
	1307	1192	1135	1076	1013	949	806	515		1/4	1725	0.26	13.4			
101 & 103	729	473								1/8	860	0.036	2.9	1 Day	GB-101-4X-QD-R3	-
	966	805	702	507						1/6	1140	0.085	5.7			
	1187	1052	990	909	810	634				1/4	1400	0.16	8.9			
	1462	1351	1298	1250	1193	1126	955			1/4	1725	0.29	11.5			
121 & 123	1526	1419	1368	1321	1270	1209	1065	793		1/3	1800	0.33	12.5	1 Day	GB-121-4X-QD	-
	1043	796	580							1/8	860	0.062	5.2			
	1383	1213	1112	993	831					1/6	1140	0.14	8.4			
	1692	1557	1484	1404	1315	1214	907			1/4	1395	0.26	12.3			
131 & 133	1880	1759	1696	1629	1555	1475	1289	974		1/3	1550	0.36	14.3	1 Day	GB-121-LMDX-QD	-
	2093	1984	1928	1871	1810	1743	1600	1426	1180	1/2	1725	0.50	17.0			
	1221	962	727							1/8	860	0.074	6.3			
	1618	1444	1340	1211	1031					1/6	1140	0.17	9.6			
141 & 143	1866	1718	1637	1545	1435	1305				1/4	1315	0.26	12.5	1 Day	GB-131-4X-QD	-
	2044	1911	1838	1759	1674	1571	1299			1/3	1440	0.35	15.1			
	2391	2279	2219	2158	2020	1946	1857	1654	1312	1/2	1685	0.56	16.3			
	2448	2338	2281	2220	2159	2089	1935	1746	1474	3/4	1725	0.60	16.7			
161 & 163	2448	2338	2281	2220	2159	2089	1935	1746	1474	3/4	1725	0.60	16.7	1 Day	GB-131-LMDX-QD	-
	1595	1304	1085							1/4	860	0.13	6.6			
	2115	1905	1792	1660	1488	1233				1/3	1140	0.31	10.4			
	2523	2347	2259	2166	2062	1943	1602			1/2	1360	0.53	13.9			
180 & 183	2875	2719	2644	2566	2487	2396	2191	1910	1297	3/4	1550	0.79	17.4	1 Day	GB-141-4X-QD GB-141-5X-QD	-
	3200	3059	2991	2923	2853	2782	2619	2427	2184	1	1725	1.09	20			
	2540	2145	1913	1596						1/4	860	0.26	9.6			
	2791	2434	2236	2010	1692					1/3	945	0.34	11.5			
200 & 203	3367	3072	2922	2761	2587	2382	1808			1/2	1140	0.60	14.9	1 Day	GB-161-LMDX-QD	-
	3692	3422	3289	3149	2997	2838	2444			3/4	1250	0.79	17.0			
	4062	3815	3694	3571	3444	3304	3007	2609	2073	1	1375	1.05	19.6			
	4652	4437	4330	4225	4118	4007	3769	3512	3198	1 1/2	1575	1.57	25			
220	2839	2469	2213	1882						1/4	730	0.26	7.2	1 Day	GB-180-LMDX-QD	-
	3150	2832	2624	2375	2053					1/3	810	0.35	8.7			
	3655	3388	3234	3052	2844	2601				1/2	940	0.55	12.0			
	4102	3867	3742	3596	3432	3252	2811			3/4	1055	0.77	14.9			
240	4608	4401	4290	4179	4046	3900	3575	3178	2499	1	1185	1.10	17.8	1 Day	-	Not Available
	5191	5010	4913	4814	4716	4599	4344	4052	3713	1 1/2	1335	1.57	21			
	5677	5514	5425	5336	5246	5155	4938	4699	4426	2	1460	2.05	24			
	3320	2637	2089							1/4	600	0.26	7.3			
200 & 203	3680	3085	2706	2087						1/3	665	0.35	8.5	1 Day	GB-200-LMDX-QD	-
	4261	3744	3477	3141	2643					1/2	770	0.55	10.7			
	4759	4289	4068	3811	3504	3085				3/4	860	0.77	12.9			
	5340	4927	4720	4520	4285	4015	3240			1	965	1.09	15.4			
220	6032	5682	5473	5301	5124	4925	4450	3751		1 1/2	1090	1.57	18.9	1 Day	-	Not Available
	6640	6336	6145	5969	5813	5651	5274	4829	4177	2	1200	2.09	23			
	3799	3132	2542							1/4	500	0.26	7.9			
	4179	3629	3158	2526						1/3	550	0.35	8.9			
240	4863	4403	4120	3702	3208					1/2	640	0.55	12.1	1 Day	GB-240-LMDX-QD	-
	5395	4990	4762	4459	4077	3633				3/4	710	0.75	14.4			
	6079	5732	5530	5326	5049	4716	3929			1	800	1.07	16.1			
	6801	6501	6323	6142	5960	5723	5122	4401		1 1/2	895	1.50	18.8			
240	7485	7212	7062	6898	6734	6568	6107	5548	4883	2	985	2.00	23	1 Day	-	Not Available
	4223	3188	2036							1/4	460	0.27	5.7			
	4637	3761	3060							1/3	505	0.35	6.9			
	5371	4666	4195	3562	2112					1/2	585	0.55	9.1			
240	6060	5449	5094	4636	4073	3127				3/4	660	0.79	11.8	1 Day	-	Not Available
	6702	6158	5861	5507	5077	4567				1	730	1.06	14.3			
	7575	7092	6844	6574	6261	5901	5002			1 1/2	825	1.54	17.7			
	8355	7916	7700	7467	7215	6933	6240	5388	3707	2	910	2.06	21			

Performance certified is for installation type A: Free inlet, Free outlet. Power rating (Bhp) does not include transmission losses. Performance ratings include the effects of a birdscreen. The sound ratings shown are loudness values in hemispherical sones at 5 ft. (1.5 m) in a hemispherical free field calculated per AMCA International Standard 301. Values shown are for installation type A: Free inlet hemispherical sone levels.

Performance for GB

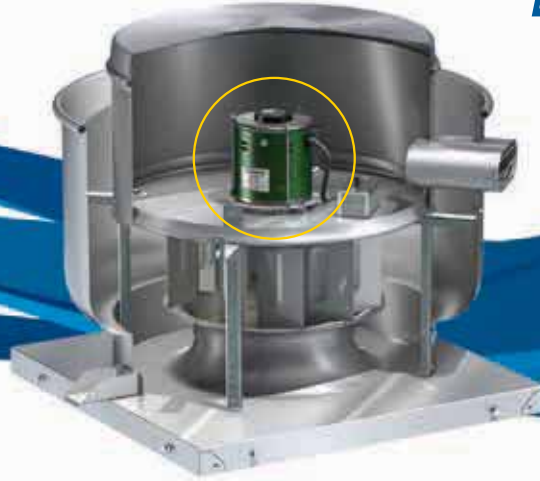
Model Size	CFM / Static Pressure in inches wg									Motor HP	Max Fan RPM	Max Bhp	Sones @ .25	Quick Build	In Stock
	0	.25	.375	.5	.625	.75	1	1.25	1.5					Best Available	Belt Drive
260	4714	3393	2010							1/4	365	0.26	8.6	1 Day	—
	5231	4095	3296							1/3	405	0.35	10.3		
	6005	5063	4484	3745	2322					1/2	465	0.54	10.4		
	6716	5898	5413	4869	4190	3008				3/4	520	0.75	11.3		
	7491	6775	6363	5912	5418	4826				1	580	1.04	13.0		
	8588	7979	7637	7274	6884	6474	5465	3608		1 1/2	665	1.57	15.8		
	9493	8938	8652	8335	8001	7649	6878	5916	4236	2	735	2.13	18.3		
	10784	10292	10055	9794	9514	9225	8606	7932	7157	3	835	3.12	22		
300	5912	4340								1/3	365	0.35	5.7	1 Day	GB-300-LMDX-QD
	6803	5537	4641							1/2	420	0.53	7.0		
	7694	6616	5955	5095						3/4	475	0.77	9.6		
	8585	7640	7094	6456	5668	4195				1	530	1.07	12.2		
	9719	8907	8446	7952	7388	6721				1 1/2	600	1.55	14.9		
	10772	10060	9648	9228	8773	8269	7025			2	665	2.12	17.7		
	12311	11704	11357	10997	10629	10242	9369	8293	6437	3	760	3.17	21		
	14416	13898	13639	13335	13028	12716	12073	11379	10536	5	890	5.09	28		
330	6643	4308								1/3	275	0.31	5.2	1 Day	—
	7850	6036	4757							1/2	325	0.52	7.4		
	8937	7410	6480	5257						3/4	370	0.76	9.2		
	10024	8713	7927	7050	5937					1	415	1.07	11.3		
	11232	10087	9425	8706	7919	6966				1 1/2	465	1.51	14.0		
	12319	11294	10719	10085	9420	8696	6472			2	510	2.00	16.6		
	14251	13376	12908	12408	11864	11307	10081	8536		3	590	3.09	21		
	16908	16185	15798	15408	14987	14564	13624	12640	11538	5	700	5.17	27		
360	8693	6756	5001							1/2	325	0.56	6.8	1 Day	—
	9763	8109	7013							3/4	365	0.79	8.9		
	10966	9558	8686	7641						1	410	1.12	11.9		
	12304	11085	10360	9568	8607	7096				1 1/2	460	1.59	14.8		
	13507	12431	11795	11096	10368	9473				2	505	2.10	17.3		
	15513	14614	14077	13523	12917	12289	10813			3	580	3.18	22		
	18322	17560	17179	16711	16243	15774	14710	13535	12119	5	685	5.24	29		
	420	9890	6365								1/2	240	0.50		
11332		8698								3/4	275	0.76	5.6		
12568		10320	8672							1	305	1.03	7.5		
14217		12411	11102	9463						1 1/2	345	1.50	10.8		
15659		14043	12983	11787	10108					2	380	2.00	13.3		
17925		16540	15792	14790	13764	12502				3	435	3.00	17.8		
21222		20081	19459	18826	18046	17162	15254	12312		5	515	4.98	23		
24725		23765	23243	22709	22166	21621	20104	18585	16590	7 1/2	600	7.88	30		
480	12020	6529								1/2	200	0.54	7.3	1 Day	—
	13523	9500								3/4	225	0.77	7.6		
	15025	11662	8820							1	250	1.06	8.6		
	17129	14379	12517	9587						1 1/2	285	1.58	10.7		
	18631	16135	14589	12656						2	310	2.02	12.2		
	21636	19548	18385	17010	15420	13507				3	360	3.21	16.4		
	25543	23801	22868	21883	20799	19550	16604			5	425	5.22	23		
	29149	27623	26860	26016	25153	24290	22106	19517		7 1/2	485	7.78	31		
500	17245	12242								1	214	1.04	8.7	1 Day	—
	19743	15481	12983							1 1/2	245	1.57	11.0		
	21677	17857	15752							2	269	2.08	13.2		
	24820	21627	19752	17903	15284					3	308	3.11	16.9		
	29494	26834	25429	23831	22310	20688				5	366	5.24	21		
	33764	31467	30265	29015	27607	26276	23486			7 1/2	419	7.88	27		
	37068	34991	33900	32805	31625	30342	27917	25310		10	460	10.41	32		
	540	18143	12632								1	205	1.04		
20798		16229	12673							1 1/2	235	1.57	10.5		
22922		18963	16439							2	259	2.11	11.9		
26197		22870	20831	18610						3	296	3.14	15.3		
31064		28492	26810	25115	21376					5	351	5.24	19.9		
35578		33552	32075	30612	27519	24274				7 1/2	402	7.87	26		
39118		37435	36109	34766	32131	29134	26111			10	442	10.46	32		
44694		43221	42332	41157	38813	36503	33869	31293	26758	15	505	15.60	40		

Performance certified is for installation type A: Free inlet, Free outlet. Power rating (Bhp) does not include transmission losses. Performance ratings include the effects of a birdscreen. The sound ratings shown are loudness values in hemispherical sones at 5 ft. (1.5 m) in a hemispherical free field calculated per AMCA International Standard 301. Values shown are for installation type A: Free inlet hemispherical sone levels.

Performance for High Pressure GB

Model Size	CFM / Static Pressure in inches wg									Motor HP	Max Fan RPM	Max Bhp	Sones @ .5	Quick Build
	.5	.75	1	1.25	1.5	1.75	2	2.25	2.5					Best Available
101HP	772	702	622	515	313					1/4	2025	0.26	13.3	1 Day
	875	814	748	674	574	406				1/3	2229	0.35	14.8	
	1032	982	928	869	807	735	639	497		1/2	2550	0.52	17.4	
141HP	1009	903	774	592						1/4	1500	0.26	13.1	1 Day
	1151	1064	959	833	668					1/3	1655	0.35	15.0	
	1366	1294	1218	1127	1033	901	753			1/2	1900	0.53	19.0	
	1598	1536	1472	1407	1328	1248	1163	1045	919	3/4	2170	0.79	22	
161HP	1380	1139	589							1/4	1095	0.26	9.0	1 Day
	1606	1416	1149							1/3	1210	0.35	10.6	
	1938	1789	1619	1399	1032					1/2	1390	0.53	13.3	
	2275	2150	2016	1868	1704	1447	1034			3/4	1580	0.79	16.7	
	2551	2442	2325	2200	2066	1917	1714	1452	987	1	1740	1.05	20	
180HP	1759									1/4	845	0.26	9.1	1 Day
	2114	1686								1/3	935	0.35	10.3	
	2601	2316	1920							1/2	1075	0.53	12.9	
	3088	2880	2610	2277	1711					3/4	1225	0.78	16.3	
	3485	3296	3095	2840	2540	2059				1	1350	1.05	19.5	
	4076	3909	3744	3576	3353	3119	2827	2407		1 1/2	1540	1.56	25	
	4560	4414	4263	4114	3964	3764	3560	3340	3037	2	1700	2.11	30	
200HP	2809	2331	1424							1/2	895	0.53	11.4	1 Day
	3409	3050	2602	1857						3/4	1020	0.78	14.1	
	3885	3584	3243	2804	2136					1	1125	1.04	16.9	
	4569	4343	4070	3770	3416	3000	2278			1 1/2	1285	1.57	21	
	5114	4919	4692	4442	4169	3856	3492	3004	2250	2	1415	2.07	24	
	5982	5812	5642	5448	5233	5004	4767	4496	4196	3	1625	3.16	32	
220HP	3215	2440								1/2	680	0.53	9.4	1 Day
	3973	3424	2643							3/4	775	0.79	12.0	
	4532	4083	3536	2648						1	850	1.04	15.0	
	5400	5060	4660	4185	3602					1 1/2	975	1.57	18.7	
	6076	5794	5459	5082	4649	4136	3346			2	1075	2.10	23	
	7100	6858	6611	6316	6009	5649	5263	4812	4265	3	1230	3.15	28	
240HP	3475	2693								1/2	685	0.53	9.4	1 Day
	4247	3740	2964							3/4	780	0.78	12.7	
	4860	4434	3915	3105						1	860	1.05	15.9	
	5751	5392	5010	4562	3958					1 1/2	980	1.55	22	
	6474	6154	5826	5468	5062	4555	3763			2	1080	2.08	27	
	7610	7333	7053	6767	6469	6146	5775	5364	4776	3	1240	3.14	31	
300HP	3602									1/2	495	0.53	10.3	1 Day
	4662	3600								3/4	565	0.77	11.8	
	5398	4652	3309							1	620	1.04	13.4	
	6542	5954	5269	4221						1 1/2	710	1.55	17.2	
	7460	6943	6402	5737	4800					2	785	2.10	20	
	8746	8328	7870	7394	6892	6150	5245			3	895	3.11	25	
	10688	10351	10006	9621	9233	8831	8429	7903	7255	5	1065	5.24	44	
360HP	6576									1	435	1.02	10.8	1 Day
	8432	7000								1 1/2	500	1.56	13.4	
	9681	8589	6998							2	550	2.06	16.0	
	11616	10772	9767	8525	6006					3	630	3.11	20	
	14487	13711	13002	12220	11282	10239	8513			5	750	5.26	27	
	16918	16236	15568	14946	14315	13544	12676	11761	10368	7 1/2	855	7.82	35	

Performance certified is for installation type A: Free inlet, Free outlet. Power rating (Bhp) does not include transmission losses. Performance ratings include the effects of a birdscreen. The sound ratings shown are loudness values in hemispherical sones at 5 ft. (1.5 m) in a hemispherical free field calculated per AMCA International Standard 301. Values shown are for installation type A: Free inlet hemispherical sone levels.



efficient air

Save energy with Vari-Green® motors.



	Operating at 50% Full Speed	Operating at 75% Full Speed
Motor Size	5,000 hrs/yr	5,000 hrs/yr
1/4	\$ 130	\$ 99
1/2	\$ 202	\$ 148
3/4	\$ 273	\$ 198

Assumes energy cost of \$0.08/kWh

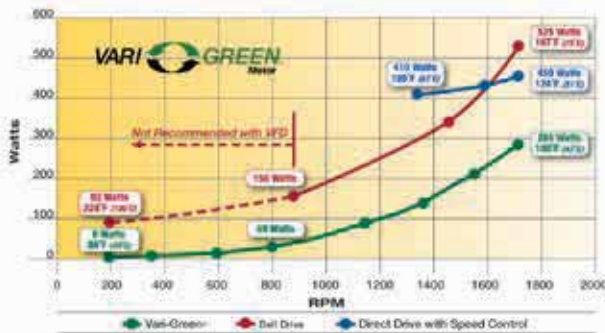
The world's best-performing fans just got even more efficient — and cost-effective — thanks to Greenheck's high-efficiency Vari-Green® EC motor that can be specified on Greenheck centrifugal rooftop fans, sidewall fans, utility, and inline exhaust and supply fans.

The low maintenance, direct-drive Vari-Green motor can operate at 80% turndown of full speed as compared to 30% turndown for standard industry PSC motors. By achieving a wider range of variable speeds, the Vari-Green motor can perform at lower RPMs — saving 20%-70% of the energy costs required by PSC motors and extending bearing life.

Greenheck's new Vari-Green motor also can help earn LEED building credits under Prerequisite Two: Minimum Energy Performance and Credit One: Optimize Energy Performance.

For better air, specify Greenheck fans. To find out more about our Vari-Green motor, watch a video at greenheck.com/library.

Learn more at greenheck.com



715.359.6171
greenheck.com



Fans & Ventilators | Centrifugal & Vane Axial Fans
Energy Recovery Ventilators | Packaged Ventilation Systems
Make-up Air Units | Kitchen Ventilation Systems
Dampers | Louvers | Lab Exhaust Systems | Coils



Scan code to learn more about Greenheck's Vari-Green motor.



CUE, CUBE

CW, CWB

UL/cUL 705 Power Ventilators
E40001 - CUE, CW, CUBE, CWB
UL/cUL 762 Power Ventilators for
Restaurant Exhaust Appliances - size 099
and up - MH11745 - CUE, CW, CUBE, CWB
UL/cUL Power Ventilators for Smoke
Control Systems - MH17511 - CUBE



UL/cUL Listed 705 is standard on In Stock CW models.
UL/cUL Listed 762 is standard on In Stock CUE, CW,
CUBE models.



Greenheck Fan Corporation certifies that the Model CUE, CW, CUBE and CWB shown herein are licensed to bear the AMCA Seal. The ratings shown are based on tests and procedures performed in accordance with AMCA Publication 211 and Publication 311 and comply with the requirements of the AMCA Certified Ratings Program.

Model	Best Available Program
CUE-099 through 121, 141 through 180	In Stock
CW-065 through 095, 101, 121 and 141	
CUBE-101 through 121, 141 through 200, 240 & 300	
High Pressure CUBE 141HP, 180HP and 240 HP	
All CUE, CW 060 through 200	1 Day
CUBE-099, 131, 220, 360 through 480	
All CWB 099 through 300	
High Pressure CUE, CW 141HP through 180HP	
High Pressure CUBE 101HP, 161HP, 200HP, 220HP, 300HP and 360HP	
High Pressure CWB 101HP through 300HP	
Extended Pressure CUBE 161XP through 360XP	

Model CUE, CW Direct Drive and CUBE, CWB Belt Drive

Centrifugal upblast or sidewall fans are designed for clean or contaminated air exhaust applications requiring roof or wall mounting.

Standard Construction	CUE	CW	CUBE	CWB	
Housing fully-welded to curb cap with drain trough	■		■		
Wheel - backward-inclined, aluminum	■	■	■	■	
One piece windband - aluminum	■	■	■	■	
Birdscreen - galvanized		■		■	
Corrosion-resistant fasteners	■	■	■	■	
NEMA-1 disconnect switch	■	■	■	■	
Ball bearing motor - 1/4 hp and larger	■	■	■	■	
Double-studded vibration isolators	■	■	■	■	
Mounting plate		■		■	
Three speed motor - sizes 060 through 095	■	■			
Lifting lugs			■	■	
Adjustable motor pulley			■	■	
Options and Accessories	Stock	CUE	CW	CUBE	CWB
Vari-Green® motor - 80% turndown, 85% efficient <i>Available as standard on select sizes</i>	✓	■	■		
Damper - <i>not for use in grease applications</i>	✓	■	■	■	■
Hinged curb cap with cables - <i>NFPA required</i>	✓	■		■	
Roof curb - <i>NFPA requires vented roof curb</i>	✓	■		■	
Roof curb accessories - seals, adaptors, extensions		■		■	
Grease trap and drain connection - <i>NFPA required</i>	✓	■		■	
Speed control	✓	■	■		
Wall grille	✓		■		■
Birdscreen - aluminum		■	■	■	■
Clean-out port - <i>NFPA required</i>		■		■	
Windband extension		■		■	
Tie-down points		■		■	
NEMA rated disconnect switch		■	■	■	■
Non-stick coating on wheel		■	■	■	■
Heat baffle				■	■
Dual drives				■	■
Relubricatable bearings				■	■
Decorative or protective powder coating		■	■	■	■
Certified for high wind applications		■		■	
Certified for seismic applications		■	■	■	■
UL/cUL Listed Power Ventilators		■	■	■	■
UL/cUL Listed Power Ventilators for Restaurant Exhaust Appliances		■	■	■	■
UL/cUL Listed Power Ventilators for Smoke Control Systems. Excludes 099, 300HP, 161-300XP				■	



VARI GREEN Motor

Select sizes and models with the Vari-Green® motor are available in stock.



www.greenheck.com
Centrifugal Upblast
Exhaust Fans

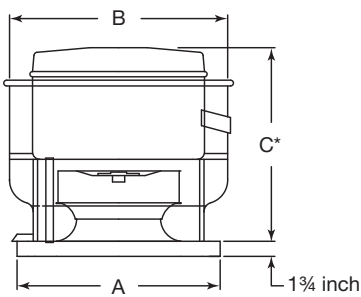


www.greenheck.com
Sidewall Exhaust
Fans



For comprehensive product information, including performance, access the product catalog found on www.greenheck.com or contact your local Greenheck representative.

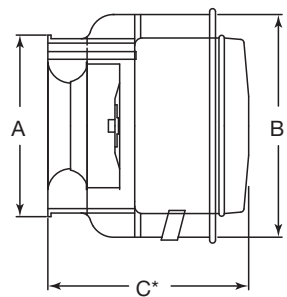
CUE, CUBE



Dimensions for CUE, CUBE

Model Size	A	B	C*	Nominal Sq. Sizes		
				Damper [^]	Roof Curb	Roof Opening
060, 065, 070, 075	17	18 ³ / ₈	13 ¹ / ₂	8	17	10 ¹ / ₂
080, 085, 090	19	21	13 ³ / ₈	10	19	12 ¹ / ₂
095	19	21	15 ¹ / ₄	10	19	12 ¹ / ₂
099, 101, 121, 131	19	24 ⁷ / ₈	28 ¹ / ₄	12	19	14 ¹ / ₂
141, 161	22	28 ⁷ / ₈	29 ³ / ₄	16	22	18 ¹ / ₂
180, 200	30	35 ³ / ₈	28 ³ / ₈	18	30	20 ¹ / ₂
220, 240	34	42 ³ / ₄	33 ³ / ₈	24	34	26 ¹ / ₂
300	40	50	36	30	40	32 ¹ / ₂
360	46	56 ¹ / ₁₆	39 ¹ / ₈	36	46	38 ¹ / ₂
420	52	65 ³ / ₁₆	44 ³ / ₄	42	52	44 ¹ / ₂
480	58	74 ³ / ₁₆	48 ¹ / ₈	48	58	50 ¹ / ₂

CW, CWB



Dimensions for CW, CWB

Model Size	A	B	C*	Nominal Sq. Sizes	
				Damper [^]	Wall Opening
060, 065, 070, 075	14 ³ / ₄	18 ³ / ₈	13 ¹ / ₂	8	8 ¹ / ₂
080, 085, 090	17 ⁷ / ₈	21	13 ³ / ₈	10	10 ¹ / ₂
095	17 ⁷ / ₈	21	15 ¹ / ₄	10	10 ¹ / ₂
099, 101, 121, 131	19 ³ / ₄	24 ⁷ / ₈	28 ¹ / ₄	12	12 ¹ / ₂
141, 161	22 ¹ / ₈	28 ⁷ / ₈	29 ³ / ₄	15	15 ¹ / ₂
180, 200	27 ³ / ₄	35 ³ / ₈	28 ³ / ₈	17	17 ¹ / ₂
220, 240	31 ¹ / ₄	42 ²⁵ / ₃₂	33 ³ / ₈	20	20 ¹ / ₂
300	38 ³ / ₈	50	36	25	25 ¹ / ₂

All dimensions are in inches. Dimension A given is the inside dimension of the curb cap.
[^]May be greater depending on motor. [^]Dampers should not be used in grease applications.

Performance for CUE, CW



Model Size	CFM / Static Pressure in inches wg										Motor HP	Max Fan RPM	Max Bhp	Sones @ .25	Quick Build Best Available	In Stock Direct Drive
	0	.125	.25	.375	.5	.625	.75	.875	1							
060	133	81									1/200	1050	0.01	1.7*	1 Day	-
	165	126	70								1/100	1300	0.01	2.5		
	197	164	128								1/60	1550	0.02	4.0		
	219	188	159	118							1/6	1725	0.029	5.3		
065	180	109									1/100	1050	0.01	2.2*	1 Day	CW-065-DGEX-QD
	223	170	97								1/60	1300	0.02	2.9		
	266	222	172	95							1/30	1550	0.03	4.1		
	296	257	215	160							1/6	1725	0.039	5.0		
070	250	171									1/100	1050	0.01	2.6*	1 Day	CW-070-DGEX-QD
	309	255	152								1/60	1300	0.02	2.5		
	369	325	269	160							1/30	1550	0.03	4.7		
	411	371	326	258							1/6	1725	0.036	6.4		
075	287	188									1/80	1050	0.01	3.4*	1 Day	CW-075-DGEX-QD
	356	279	185								1/50	1300	0.02	3.4		
	424	359	291	204							1/25	1550	0.04	4.9		
	472	413	355	289							1/6	1725	0.055	6.1		
080	325	247	133								1/40	1050	0.02	4.2	1 Day	CW-080-DGEX-QD
	403	343	272	173							1/30	1300	0.03	5.5		
	480	431	376	314	235						1/20	1550	0.05	7.2		
	534	491	444	390	333	257					1/6	1725	0.07	8.6		
085	389	305	182								1/40	1050	0.02	4.3	1 Day	CW-085-DGEX-QD
	481	416	340	235							1/30	1300	0.04	5.3		
	574	520	461	395	312	161					1/20	1550	0.06	7.4		
	639	591	540	484	421	344	224				1/6	1725	0.08	8.6		
090	549	451	306								1/40	1050	0.03	4.2	1 Day	CW-090-DGEX-QD
	680	600	517	391							1/25	1300	0.05	5.5		
	811	744	677	604	501	347					1/15	1550	0.09	7.5		
	903	842	782	722	652	553	420				1/6	1725	0.12	8.8		
095	711	570	381								1/30	1050	0.04	4.5	1 Day	CW-095-DGEX-QD
	880	774	641	484	199						1/12	1300	0.07	6.4		
	1049	964	861	747	616	442					1/8	1550	0.12	8.5		
	1167	1093	1005	905	802	680	525	279			1/6	1725	0.17	10.5		

*Sones displayed are at greatest wg shown with cfm
CUE, CW: Performance certified is for installation type A: Free inlet, Free outlet. Power rating (Bhp) does not include transmission losses. Performance ratings do not include the effects of appurtenances (accessories). The sound ratings shown are loudness values in fan sones at 5 ft. (1.5 m) in a hemispherical free field calculated per AMCA International Standard 301. Values shown are for installation type A: Free inlet hemispherical sone levels.



Performance for CUE, CW, CUBE, CWB



Model Size	CFM / Static Pressure in inches wg									Motor HP	Max Fan RPM	Max BHP	Sones @.25	Quick Build Best Available	In Stock	
	0	.25	.375	.5	.625	.75	1	1.25	1.5						Belt Drive	Direct Drive
099	628	376								1/8	860	0.03	4.3	1 Day	-	-
	833	665	565	408						1/6	1140	0.07	6.3			
	1260	1156	1100	1041	981	918	759			1/4	1725	0.25	13.4			
101	732	481								1/8	860	0.04	1.3	1 Day	CUBE-101-4G-QD	-
	970	806	707							1/6	1140	0.09	6.5			
	1413	1313	1251	1189	1125	1056	861			1/4	1660	0.26	12.0			
	1468	1373	1315	1255	1195	1129	970			1/4	1725	0.29	12.5			
121	1549	1459	1406	1350	1293	1234	1106	900		1/3	1820	0.35	13.4	1 Day	CUBE-121-LMDG-QD	-
	1015	781	581							1/8	860	0.06	5.6			
	1346	1180	1091	981	833					1/6	1140	0.14	8.2			
	1665	1528	1463	1398	1315	1224	965			1/4	1410	0.26	12.2			
	1824	1699	1639	1580	1518	1441	1262	990		1/3	1545	0.34	14.0			
131	2037	1923	1869	1816	1763	1710	1571	1406	1176	1/2	1725	0.48	16.7	1 Day	-	-
	1180	914	675							1/8	860	0.07	7.7			
	1564	1379	1280	1144	964					1/6	1140	0.17	11.8			
	1790	1629	1547	1458	1340	1201				1/4	1305	0.26	13.9			
	1968	1822	1749	1671	1586	1479	1198			1/3	1435	0.35	15.1			
	2258	2130	2066	2002	1935	1865	1686	1458		1/2	1646	0.52	17.4			
141	2366	2244	2183	2122	2061	1994	1838	1646	1365	3/4	1725	0.60	18.4	1 Day	CUBE-141-5G-QD	-
	1558	1264	1034							1/8	860	0.12	7.1			
	2001	1793	1667	1515	1318	998				1/4	1105	0.26	10.6			
	2192	2006	1896	1773	1628	1443				1/3	1210	0.34	11.7			
	2518	2362	2271	2174	2068	1949	1643			1/2	1390	0.52	14.2			
	2808	2671	2594	2509	2422	2329	2110	1823	1349	3/4	1550	0.72	17.5			
	3124	3005	2936	2865	2789	2711	2539	2339	2085	1	1725	1.00	22			
161	2472	2126	1918	1680						1/4	860	0.25	9.9	1 Day	CUBE-161-LMDG-QD	-
	2774	2477	2300	2109	1893	1584				1/3	965	0.35	11.5			
	3191	2941	2796	2641	2475	2297	1770			1/2	1110	0.54	14.2			
	3277	3035	2896	2745	2587	2421	1983			3/4	1140	0.58	14.8			
	3996	3806	3698	3584	3464	3340	3078	2785	2394	1	1390	1.05	20			
180	4959	4806	4729	4646	4554	4463	4269	4070	3855	2	1725	2.01	29	1 Day	CUBE-180-LMDG-QD	-
	2815	2448	2143	1763						1/4	745	0.26	8.1			
	3098	2759	2525	2257	1867					1/3	820	0.34	10.0			
	3249	2922	2732	2474	2171					1/2	860	0.40	11.1			
	3306	2982	2809	2551	2265	1827				3/4	875	0.42	11.8			
	3551	3243	3115	2879	2654	2363				1/2	940	0.52	13.1			
	4061	3786	3666	3554	3345	3141	2652			3/4	1075	0.78	15.8			
200	4307	4045	3927	3822	3679	3470	3072	2477		1	1140	0.93	16.5	1 Day	CUBE-200-LMDG-QD	-
	5138	4913	4811	4710	4620	4532	4232	3912	3537	1 1/2	1360	1.58	22			
	5648	5443	5345	5254	5163	5082	4921	4598	4313	2	1495	2.10	27			
	3403	2675	2144							1/4	605	0.26	6.8			
	3740	3096	2699	2073						1/3	665	0.35	8.3			
	4275	3718	3413	3048	2518					1/2	760	0.52	11.1			
200	4837	4346	4093	3815	3498	3084				3/4	860	0.75	14.9			
	5400	4958	4742	4508	4254	3985	3169			1	960	1.04	13			
	6187	5798	5610	5421	5217	5006	4529	3861		1 1/2	1100	1.57	23			
	6412	6036	5855	5674	5479	5283	4837	4276	3445	2	1140	1.74	24			

CUE, CW: Performance certified is for installation type A: Free inlet, Free outlet. Power rating (Bhp) does not include transmission losses. Performance ratings do not include the effects of appurtenances (accessories). The sound ratings shown are loudness values in fan sones at 5 ft. (1.5 m) in a hemispherical free field calculated per AMCA International Standard 301. Values shown are for installation type A: Free inlet hemispherical sone levels.

CUBE, CWB: Performance certified is for installation type A: Free inlet, Free outlet. Power rating (Bhp) does not include transmission losses. Performance ratings do not include the effects of appurtenances (accessories). The sound ratings shown are loudness values in fan sones at 5 ft. (1.5 m) in a hemispherical free field calculated per AMCA International Standard 301. Values shown are for installation type A: Free inlet hemispherical sone levels

Performance for CUBE, CWB

Model Size	CFM / Static Pressure in inches wg									Motor HP	Max Fan RPM	Max Bhp	Sones @ .25	Quick Build	In Stock
	0	.25	.375	.5	.625	.75	1	1.25	1.5					Best Available	Belt Drive
220	3784	2896	2268							1/4	475	0.26	6.7	1 Day	—
	4142	3357	2845							1/3	520	0.34	7.7		
	4779	4124	3736	3279						1/2	600	0.52	10.2		
	5457	4893	4581	4234	3836	3383				3/4	685	0.78	13.7		
	6014	5502	5239	4944	4620	4258				1	755	1.04	16.6		
	6890	6443	6220	5987	5729	5453	4835	4111		1½	865	1.57	19.6		
	7607	7202	7000	6799	6580	6347	5844	5261	4602	2	955	2.11	24		
240	4216	3188	2162							1/4	465	0.26	6.3	1 Day	CUBE-240-LMDG-QD
	4623	3717	3134							1/3	510	0.34	7.3		
	5303	4540	4093	3565						1/2	585	0.52	9.5		
	6074	5461	5052	4659	4202	3524				3/4	670	0.79	12.8		
	6663	6133	5764	5409	5037	4618				1	735	1.04	15.5		
	7660	7184	6947	6615	6304	6002	5282			1½	845	1.57	18.6		
	8431	7985	7798	7536	7233	6953	6375	5706	4324	2	930	2.10	23		
300	5940	4464								1/3	365	0.34	5.7	1 Day	CUBE-300-LMDG-QD
	6835	5660	4820							1/2	420	0.52	7.5		
	7811	6844	6231	5440						3/4	480	0.77	9.9		
	8625	7772	7245	6636	5879					1	530	1.05	12.2		
	9845	9127	8705	8226	7708	7084				1½	605	1.55	15.7		
	10822	10193	9808	9411	8968	8495	7271			2	665	2.07	18.6		
	12449	11904	11607	11273	10939	10554	9743	8756	7352	3	765	3.15	23		
14727	14266	14036	13788	13505	13223	12614	11963	11191	5	905	5.21	32			
360	8631	6755	5256							1/2	320	0.52	6.0	1 Day CUBE only	—
	9845	8299	7286	5767						3/4	365	0.78	8.5		
	10789	9426	8556	7575						1	400	1.02	11.1		
	12408	11281	10587	9814	8979	7809				1½	460	1.55	15.8		
	13621	12602	12022	11359	10647	9878				2	505	2.06	19.8		
	15644	14769	14306	13783	13218	12597	11287	9381		3	580	3.13	23		
	18611	17884	17504	17115	16711	16236	15243	14187	12985	5	690	5.26	28		
420	10416	7304								1/2	245	0.53	6.1	1 Day CUBE only	—
	11904	9418	7419							3/4	280	0.78	7.1		
	12966	10781	9272							1	305	1.02	8.0		
	14879	13050	11925	10562	8273					1½	350	1.54	10.1		
	16367	14731	13791	12701	11391	9246				2	385	2.05	12.4		
	18706	17316	16532	15691	14740	13652	10151			3	440	3.07	16.0		
	22319	21220	20560	19904	19218	18497	16795	14802		5	525	5.20	22		
25508	24604	24027	23451	22876	22295	21023	19561	17884	7½	600	7.77	29			
480	12240	7688								1/2	200	0.53	5.3	1 Day CUBE only	—
	13770	10132								3/4	225	0.76	6.6		
	15300	12248	9988							1	250	1.04	8.2		
	17442	14991	13240	11154						1½	285	1.55	10.0		
	19278	17116	15719	14033	11996					2	315	2.09	11.8		
	22032	20222	19142	17848	16410	14749				3	360	3.12	16.1		
	26010	24521	23679	22764	21766	20556	17922			5	425	5.12	21		
29988	28697	28051	27291	26497	25704	23674	21437	18846	7½	490	7.85	27			

CUBE, CWB: Performance certified is for installation type A: Free inlet, Free outlet. Power rating (Bhp) does not include transmission losses. Performance ratings do not include the effects of appurtenances (accessories). The sound ratings shown are loudness values in fan sones at 5 ft. (1.5 m) in a hemispherical free field calculated per AMCA International Standard 301. Values shown are for installation type A: Free inlet hemispherical sone levels.

Performance for High Pressure CUE, CW, CUBE, CWB

Model Size	CFM / Static Pressure in inches wg									Motor HP	Max Fan RPM	Max Bhp	Sones @ .5	Quick Build	In Stock
	.5	.75	1	1.25	1.5	1.75	2	2.25	2.5					Best Available	Belt Drive
101HP	761	693	615	522	346					1/4	2045	0.26	13.9	1 Day	—
	860	804	737	665	579	456				1/3	2250	0.35	14.4		
	1014	969	919	861	799	735	655	550	323	1/2	2580	0.53	16.8		
141HP	1016	920	798	642						1/4	1465	0.26	14.2	1 Day	CUBE-141HP-LMDG-QD
	1146	1063	965	846	704					1/3	1605	0.34	15.3		
	1363	1292	1219	1137	1042	924	800			1/2	1845	0.52	17.1		
	1592	1536	1473	1409	1341	1262	1178	1073	965	3/4	2110	0.78	19.9		
161HP	1487	1252								1/4	1065	0.26	11.1	1 Day	—
	1697	1504	1252							1/3	1165	0.34	12.9		
	2053	1897	1724	1513						1/2	1340	0.52	14.2		
	2433	2301	2165	2015	1855	1638				3/4	1535	0.79	18.1		
	2722	2611	2488	2365	2228	2082	1899	1664		1	1690	1.05	21		
180HP	1799									1/4	845	0.26	9.6	1 Day	CUBE-180HP-LMDG-QD
	2104	1688								1/3	925	0.35	10.8		
	2581	2323	1933							1/2	1065	0.53	14.1		
	3063	2868	2626	2286	1854					3/4	1215	0.79	15.4		
	3441	3261	3075	2839	2523	2156				1	1335	1.04	19.0		
	4035	3884	3728	3574	3376	3135	2859	2534		1½	1530	1.57	24		
	4495	4369	4226	4085	3945	3768	3575	3325	3061	2	1685	2.09	28		
200HP	2779	2317								1/2	880	0.52	10.7	1 Day	—
	3397	3067	2637							3/4	1010	0.79	14.7		
	3851	3561	3242	2806						1	1110	1.04	17.1		
	4558	4312	4055	3789	3433	2944				1½	1270	1.56	22		
	5110	4898	4674	4436	4195	3880	3515			2	1400	2.09	25		
	5943	5775	5581	5385	5182	4971	4760	4476	4189	3	1600	3.13	29		
220HP	3151	2405								1/2	680	0.51	9.7	1 Day	—
	3902	3427	2716							3/4	780	0.78	13.4		
	4459	4075	3578	2863						1	860	1.05	15.0		
	5281	4988	4642	4220	3674	2825				1½	985	1.57	19.1		
	5920	5678	5390	5061	4679	4210	3573			2	1085	2.09	23		
	6895	6684	6469	6217	5950	5637	5283	4885	4374	3	1240	3.13	27		
240HP	3405	2607								1/2	675	0.52	9.4	1 Day	CUBE-240HP-LMDG-QD
	4233	3704	2940							3/4	775	0.78	13.1		
	4812	4367	3846	3025						1	850	1.04	14.5		
	5737	5387	4988	4539	4006					1½	975	1.56	18.4		
	6404	6112	5775	5407	4990	4550	3625			2	1070	2.08	22		
	7513	7280	7016	6730	6410	6090	5709	5326	4722	3	1230	3.16	26		
300HP	3639									1/2	485	0.52	7.9	1 Day	—
	4788	3651								3/4	555	0.77	10.4		
	5549	4731								1	610	1.03	12.4		
	6741	6149	5390							1½	700	1.57	16.0		
	7613	7107	6535	5814	4684					2	770	2.09	18.6		
	9014	8603	8150	7678	7062	6353				3	885	3.15	23		
360HP	10909	10570	10222	9855	9455	9054	8533	8002	7330	5	1045	5.21	35	1 Day	—
	7003									1	440	1.03	10.8		
	8765	7539								1½	505	1.57	15.3		
	10029	9046	7766							2	555	2.08	17.2		
	11934	11157	10276	9171	7329					3	635	3.12	21		
	14688	14086	13434	12734	11922	10973	9593			5	755	5.24	28		
	17129	16631	16105	15544	14933	14315	13565	12738	11789	7½	865	7.89	33		

CUE, CW: Performance certified is for installation type A: Free inlet, Free outlet. Power rating (Bhp) does not include transmission losses. Performance ratings do not include the effects of appurtenances (accessories). The sound ratings shown are loudness values in fan sones at 5 ft. (1.5 m) in a hemispherical free field calculated per AMCA International Standard 301. Values shown are for installation type A: Free inlet hemispherical sone levels.

CUBE, CWB: Performance certified is for installation type A: Free inlet, Free outlet. Power rating (Bhp) does not include transmission losses. Performance ratings do not include the effects of appurtenances (accessories). The sound ratings shown are loudness values in fan sones at 5 ft. (1.5 m) in a hemispherical free field calculated per AMCA International Standard 301. Values shown are for installation type A: Free inlet hemispherical sone levels.

Performance for Extended Pressure CUBE

Model Size	CFM / Static Pressure in inches wg									Motor HP	Max Fan RPM	Max Bhp	Sones @ 1	Quick Build
	1	1.25	1.5	1.75	2	2.5	3	3.5	4					Best Available
161XP	1322	1116	726							1/2	1750	0.52	12.1	1 Day
	1684	1552	1392	1161	777					3/4	2005	0.78	15.0	
	1946	1834	1713	1578	1395	634				1	2205	1.04	17.5	
	2339	2250	2155	2056	1946	1676	1221			1½	2525	1.56	22	
240XP	1613	1321	792							1/2	1195	0.53	11.6	1 Day
	2079	1886	1645	1350						3/4	1365	0.78	13.6	
	2424	2256	2079	1865	1630					1	1500	1.04	15.9	
	2939	2815	2671	2523	2366	1975	1336			1½	1720	1.57	21	
	3333	3222	3109	2980	2847	2566	2202	1706		2	1895	2.10	24	
	3927	3830	3733	3634	3535	3305	3063	2787	2461	3	2165	3.12	29	
300XP	2958	2273								3/4	900	0.79	12.2	1 Day
	3619	3167	2538							1	990	1.05	14.6	
	4511	4201	3833	3384	2773					1½	1130	1.56	18.9	
	5182	4930	4648	4321	3943	2705				2	1245	2.08	22	
	6199	5983	5768	5532	5286	4695	3886			3	1425	3.14	27	
	7643	7464	7284	7102	6920	6528	6091	5587	4951	5	1690	5.24	36	
360XP	4020	3225								1	760	1.05	11.1	1 Day
	5243	4740	4112	3208						1½	870	1.57	13.6	
	6081	5679	5216	4657	3949					2	955	2.08	15.4	
	7351	7050	6724	6354	5930	4905				3	1095	3.13	19.2	
	9113	8881	8635	8382	8125	7502	6764	5867	4286	5	1300	5.24	26	
	10699	10496	10294	10091	9871	9429	8907	8340	7673	7½	1490	7.90	33	

CUBE: Performance certified is for installation type A: Free inlet, Free outlet. Power rating (Bhp) does not include transmission losses. Performance ratings do not include the effects of appurtenances (accessories). The sound ratings shown are loudness values in fan sones at 5 ft. (1.5 m) in a hemispherical free field calculated per AMCA International Standard 301. Values shown are for installation type A: Free inlet hemispherical sone levels.



UL/cUL 762 Power Ventilators for Restaurant Exhaust Appliances - MH11745 - USGF, USGF-HP

UL/cUL Power Ventilators for Smoke Control Systems - MH17511 - USGF, USGF-HP



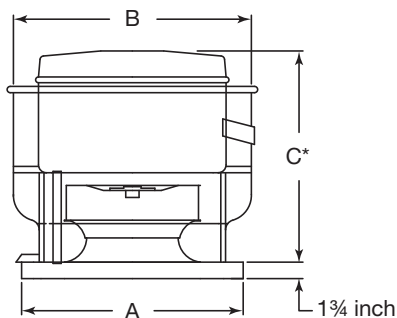
UL/cUL Listed 762 is standard on USGF, USGF-HP models.



Greenheck Fan Corporation certifies that the Model USGF shown herein is licensed to bear the AMCA Seal. The ratings shown are based on tests and procedures performed in accordance with AMCA Publication 211 and Publication 311 and comply with the requirements of the AMCA Certified Ratings Program.

Best Available Program

10 Days



Model USGF Belt Drive

Severe duty centrifugal upblast fans are designed for exhausting highly contaminated air in roof mounted applications.

Standard Construction	
Housing - heavy-gauge steel	
Housing fully welded to curb cap with drain trough	
Wheel - backward-inclined, heavy-gauge steel	
Non-stick coating on wheel	
One piece windband - steel	
Corrosion-resistant fasteners	
NEMA-3R disconnect switch - <i>NFPA required</i>	
Assembled hinged base - <i>NFPA required</i>	
Clean-out port - <i>NFPA required</i>	
Ball bearing motor - 1/4 hp and larger	
Dual drives	
Relubricatable bearings	
Heat baffle	
Double-studded vibration isolators	
Lifting lugs	
Adjustable motor pulley	
Permatector™ protective powder coating	
Options and Accessories	Stock
Damper - <i>not for use in kitchen applications</i>	
Roof curb - <i>NFPA requires vented roof curb</i>	✓
Roof curb accessories - seals, adaptors, extensions	
Grease trap and drain connection - <i>NFPA required</i>	
Windband extension	
Tie-down points	
NEMA rated disconnect switch	
Decorative or protective powder coating	
Certified for high wind and seismic applications	
UL/cUL Listed Power Ventilators for Smoke Control Systems	

Dimensions for USGF

Model Size	A	B	C*	Nominal Sq. Sizes	
				Roof Curb	Roof Opening
140, 160	26	28 ⁷ / ₈	29 ³ / ₄	26	18 ¹ / ₂
180, 200	30	35 ⁵ / ₈	28 ⁵ / ₈	30	20 ¹ / ₂

All dimensions are in inches. Dimension A given is the inside dimension of the curb cap.
*May be greater depending on motor.



Performance for USGF

Model Size	CFM / Static Pressure in inches wg									Motor HP	Max Fan RPM	Max Bhp	Sones @ .25	Quick Build
	0	.25	.375	.5	.625	.75	1	1.25	1.5					Best Available
140	2001	1793	1667	1515	1318	998				1/4	1105	0.26	10.6	10 Days
	2192	2006	1896	1773	1628	1443				1/3	1210	0.34	11.7	
	2518	2362	2271	2174	2068	1949	1643			1/2	1390	0.52	14.2	
	2889	2757	2683	2602	2518	2430	2225	1968	1568	3/4	1595	0.79	18.5	
	3125	3005	2936	2865	2789	2711	2539	2339	2085	1	1725	1.00	22	
160	2515	2177	1974	1744	1365					1/4	875	0.26	10.1	10 Days
	2774	2477	2300	2109	1893	1584				1/3	965	0.35	11.5	
	3191	2941	2796	2641	2475	2297	1770			1/2	1110	0.54	14.2	
	3636	3426	3301	3172	3036	2894	2583	2163		3/4	1265	0.79	17.7	
	3996	3806	3698	3584	3464	3340	3078	2785	2394	1	1390	1.05	21	
180	2815	2448	2143	1763						1/4	745	0.26	8.1	10 Days
	3098	2759	2525	2257	1867					1/3	820	0.34	10.0	
	3551	3243	3115	2879	2654	2363				1/2	940	0.52	13.1	
	4061	3786	3666	3554	3345	3141	2652			3/4	1075	0.78	15.8	
	4477	4224	4108	4005	3904	3703	3336	2841		1	1185	1.04	17.1	
	5138	4913	4811	4710	4620	4532	4232	3912	3537	1½	1360	1.58	22	
200	5648	5443	5345	5254	5163	5082	4921	4598	4313	2	1495	2.10	27	10 Days
	3403	2675	2144							1/4	605	0.26	6.7	
	3740	3096	2699	2073						1/3	665	0.35	8.1	
	4275	3718	3413	3048	2518					1/2	760	0.52	10.9	
	4922	4439	4192	3922	3626	3240				3/4	875	0.79	15.2	
	5400	4958	4742	4508	4254	3985	3169			1	960	1.04	17.7	
	6187	5798	5610	5421	5217	5006	4529	3861		1½	1100	1.57	23	
6806	6451	6279	6108	5933	5748	5350	4892	4289	2	1210	2.09	23		

Performance certified is for installation type A: Free inlet, Free outlet. Power rating (Bhp) does not include transmission losses. Performance ratings do not include the effects of appurtenances (accessories). The sound ratings shown are loudness values in fan sones at 5 ft. (1.5 m) in a hemispherical free field calculated per AMCA International Standard 301. Values shown are for installation type A: Free inlet hemispherical sone levels.

Performance for High Pressure USGF

Model Size	CFM / Static Pressure in inches wg									Motor HP	Max Fan RPM	Max Bhp	Sones @ .5	Quick Build
	.5	.75	1	1.25	1.5	1.75	2	2.25	2.5					Best Available
140HP	1016	920	798	642						1/4	1465	0.26	14.2	10 Days
	1146	1063	965	846	704					1/3	1605	0.34	15.2	
	1363	1292	1219	1137	1042	924	800			1/2	1845	0.52	17.0	
	1592	1536	1473	1409	1341	1262	1178	1073	965	3/4	2110	0.78	19.8	
160HP	1487	1252								1/4	1065	0.26	11.0	10 Days
	1697	1504	1252							1/3	1165	0.34	12.8	
	2053	1897	1724	1513						1/2	1340	0.52	14.4	
	2433	2301	2165	2015	1855	1638				3/4	1535	0.79	18.1	
180HP	2722	2611	2488	2365	2228	2082	1899	1664		1	1690	1.05	21	10 Days
	1799									1/4	845	0.26	9.5	
	2104	1688								1/3	925	0.35	10.8	
	2581	2323	1933							1/2	1065	0.53	13.8	
	3063	2868	2626	2286	1854					3/4	1215	0.79	15.0	
	3441	3261	3075	2839	2523	2156				1	1335	1.04	18.7	
200HP	4005	3853	3696	3538	3338	3089	2807	2479		1½	1530	1.54	23	10 Days
	4495	4369	4226	4085	3945	3768	3575	3325	3016	2	1685	2.09	27	
	2779	2317								1/2	880	0.52	10.5	
	3397	3067	2637							3/4	1010	0.79	14.5	
	3851	3561	3242	2806						1	1110	1.04	16.9	
	4558	4312	4055	3789	3433	2944				1½	1270	1.56	22	
200HP	5110	4898	4674	4436	4195	3880	3515			2	1400	2.09	24	10 Days
	5943	5775	5581	5385	5182	4971	4760	4476	4189	3	1600	3.13	29	

Performance certified is for installation type A: Free inlet, Free outlet. Power rating (Bhp) does not include transmission losses. Performance ratings do not include the effects of appurtenances (accessories). The sound ratings shown are loudness values in fan sones at 5 ft. (1.5 m) in a hemispherical free field calculated per AMCA International Standard 301. Values shown are for installation type A: Free inlet hemispherical sone levels.

LDP, LBP



LD, LB

UL/cUL 705 Power Ventilators
E40001 - LD, LDP, LB and LBP



Greenheck Fan Corporation certifies that the Model LD, LDP, LB and LBP shown herein are licensed to bear the AMCA Seal. The ratings shown are based on tests and procedures performed in accordance with AMCA Publication 211 and Publication 311 and comply with the requirements of the AMCA Certified Ratings Program.

Best Available Program

10 Days

Model LD, LDP Direct Drive and LB, LBP Belt Drive

Centrifugal downblast fans are designed for clean air exhaust applications requiring roof mounting.

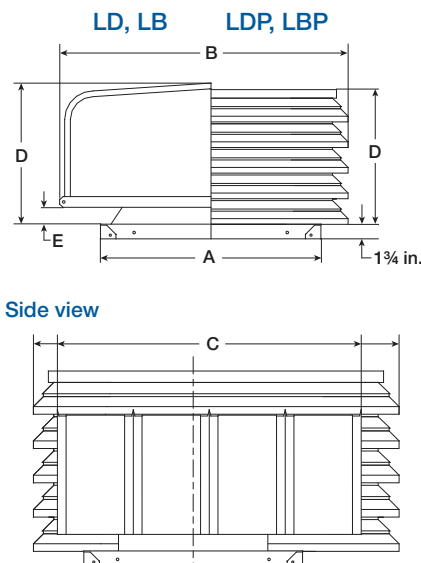
Standard Construction	LD	LDP	LB	LBP	
Housings with hinged hoods - Fabra hood style, galvanized	■		■		
Housings with hinged hoods - Louvered penthouse, extruded aluminum		■		■	
Wheel - backward-inclined, aluminum	■	■	■	■	
Birdscreen - galvanized	■	■	■	■	
Corrosion-resistant fasteners	■	■	■	■	
NEMA-1 disconnect switch	■	■	■	■	
Ball bearing motor - 1/4 hp and larger	■	■	■	■	
Double-studded vibration isolators	■	■	■	■	
Three speed motor - sizes 60 through 95	■	■			
Adjustable motor pulley			■	■	
Options and Accessories	Stock	LD	LDP	LB	LBP
Vari-Green® motor - 80% turndown, 85% efficient <i>Available as standard on select sizes</i>	✓	■	■		
Damper		■	■	■	■
Roof curb	✓	■	■	■	■
Roof curb accessories - seals, adaptors, extensions		■	■	■	■
Birdscreen - aluminum		■	■	■	■
Fabra hood - aluminum		■		■	
Tie-down points		■	■	■	■
NEMA rated disconnect switch		■	■	■	■
Dual drives				■	■
Relubricatable bearings				■	■
Decorative or protective powder coating		■	■	■	■
Certified for high wind			■		■
UL/cUL Listed Power Ventilators		■	■	■	■



VARI-GREEN Motor

Select sizes and models with the Vari-Green® motor are available in stock.

Dimensions for LD, LDP, LB, LBP



Model Size	A Sq.	Fabra Hood Style LD, LP				Louver Style LDP, LBP			Nominal Sq. Sizes	
		B	C	D	E	B	C	D	Damper	Roof Opening
60, 65, 70, 75	17	22	27	13	2	23	23	13½	8	10½
80, 85, 90, 95	19	28	27	16	4	25	25	16½	10	12½
100, 120	22	30	27	18	4	28	28	18½	12	14½
10	22	28	39	17	¾	28	38½	17	12	14½
14	26	35	39	18	4	32	40	17	16	18½
18	30	40	39	21	4½	36	46	24½	18	20½
21	30	43	51	23	6	36	46	24½	18	20½
24	34	45½	51	23½	6¾	40	49½	23½	24	26½
30	40	50	63	26½	8½	46	58	26½	30	32½
36	46	60	63	32½	9¾	51¾	63	34¾	36	38½
42	52	70¾	75	37¾	11½	58	70½	38¼	42	44½
48	58	70¾	87	41½	11¾	64	76½	40¾	48	50½
54	64	79½	87	45¾	12½	70	83½	43¾	54	56½

All dimensions are in inches. Dimension A given is the inside dimension of the curb cap.



Performance for LD, LDP

Model Size	CFM / Static Pressure in inches wg								Motor HP	Max Fan RPM	Motor Watts Max Bhp	Sones @ .25	Quick Build
	0	.125	.25	.375	.5	.625	.75	.875					Best Available
60	202	164	119						1/60	1590^	51 W	3.8	10 Days
65	274	238	187	129					1/30	1680^	70 W	5.1	10 Days
70	360	314	257	188					1/30	1665^	73 W	5.4	10 Days
75	400	351	290	222	122				1/25	1620^	79 W	4.7	10 Days
80	481	413	342	258	165				1/20	1550^	115 W	7.6	10 Days
85	576	490	403	291	182				1/20	1500^	120 W	7.3	10 Days
90	819	714	608	485	361				1/15	1550^	92 W	8.3	10 Days
95	1052	942	825	695	552	396			1/8	1550^	160 W	10.4	10 Days
100	766	568							1/8	860	.029	5.3*	10 Days
	1016	879	709	493					1/6	1140	.068	10.4	
	1538	1457	1360	1256	1142	1024	891	724	1/4	1725	.240	14.2	
120	921	702							1/8	860	.043	5.3*	10 Days
	1221	1072	886	664					1/6	1140	.099	10.0	
	1848	1762	1652	1540	1412	1286	1142	979	1/4	1725	.350	19.3	

^As run data.

*Sones displayed are at greatest wg shown with cfm.

Performance certified is for installation type A: Free inlet, Free outlet. Power rating (Bhp) does not include transmission losses. Performance ratings include the effects of a birdscreen. The sound ratings shown are loudness values in fan sones at 5 ft. (1.5 m) in a hemispherical free field calculated per AMCA International Standard 301. Values shown are for installation type A: Free inlet hemispherical sone levels.

Performance for LB, LBP

Model Size	CFM / Static Pressure in inches wg									Motor HP	Max Fan RPM	Max Bhp	Sones @ .25	Quick Build
	0	.25	.375	.5	.625	.75	1	1.25	1.5					Best Available
10	1446	1331	1280	1220	1142	1064				1/4	1611	0.28	10.7	10 Days
	1587	1480	1432	1385	1327	1254	1112			1/3	1767	0.36	12.6	
14	2004	1807	1681	1534	1351					1/4	1066	0.28	9.4	10 Days
	2200	2019	1920	1797	1657	1487				1/3	1170	0.36	11.1	
	2525	2372	2289	2199	2092	1979	1692			1/2	1343	0.55	13.8	
18	2847	2474	2214	1925						1/4	755	0.28	7.4	10 Days
	3115	2778	2563	2324	2047					1/3	826	0.36	8.9	
	3578	3292	3136	2936	2729	2498				1/2	949	0.55	12.0	
	4091	3847	3711	3575	3398	3218	2822			3/4	1085	0.82	15.5	
	4302	4073	3943	3814	3664	3493	3140	2674		1	1141	0.96	16.7	
	5185	4997	4898	4790	4683	4576	4311	4025	3719	1½	1375	1.67	22	
5505	5328	5239	5138	5037	4936	4714	4446	4176	2	1460	2.00	24		
21	3609	2938	2457							1/4	595	0.28	7.8	10 Days
	3948	3371	2970	2354						1/3	651	0.36	8.8	
	4531	4056	3741	3390	2909					1/2	747	0.55	11.2	
	5186	4790	4553	4261	3954	3608				3/4	855	0.82	14.4	
	5452	5087	4858	4602	4313	4019	2894			1	899	0.96	15.4	
	6532	6260	6068	5877	5691	5451	4965	4395		1½	1077	1.65	21	
7278	7034	6890	6712	6542	6375	5954	5517	5013	2	1200	2.28	25		
24	4449	3451	2491							1/4	462	0.28	6.3	10 Days
	4892	4043	3433							1/3	508	0.36	7.4	
	5604	4917	4441	3899						1/2	582	0.55	9.4	
	6423	5828	5505	5062	4589	3984				3/4	667	0.83	12.7	
	7068	6531	6252	5912	5503	5073				1	734	1.10	15.3	
	7578	7080	6820	6560	6190	5799	4909			1½	787	1.36	17.4	
8763	8333	8114	7889	7664	7377	6713	5995		2	910	2.10	24		
30	6221	4729								1/3	366	0.37	5.9	10 Days
	7156	5939	5076							1/2	421	0.55	7.4	
	8210	7196	6567	5777						3/4	483	0.83	10.7	
	8992	8079	7559	6946	6162					1	529	1.10	12.9	
	10284	9507	9073	8605	8068	7434				1½	605	1.64	15.7	
	11338	10639	10257	9863	9419	8933	7737			2	667	2.19	18.6	
11950	11287	10935	10562	10184	9722	8701	7032		3	703	2.57	20		
14194	13635	13356	13062	12747	12432	11728	10951	9965	5	835	4.33	26		
36	8884	6937								1/2	315	0.55	6.3	10 Days
	10153	8570	7487							3/4	360	0.83	8.9	
	11196	9816	8911	7775						1	397	1.10	12.1	
	12804	11668	10949	10127	9209	7552				1½	454	1.66	15.4	
	14073	13064	12442	11760	11004	10173				2	499	2.20	17.6	
	16132	15287	14790	14229	13649	12989	11534			3	572	3.32	22	
19121	18419	18041	17621	17165	16683	15636	14494	12970	5	678	5.52	29		
42	10827	7772								1/2	247	0.55	5.5	10 Days
	12405	9965	7932							3/4	283	0.83	7.1	
	13632	11521	10057							1	311	1.10	8.7	
	15605	13887	12733	11417	9401					1½	356	1.66	12.1	
	17183	15667	14715	13626	12382	10481				2	392	2.21	14.9	
	19637	18378	17605	16740	15786	14735				3	448	3.30	20	
22574	21500	20887	20214	19480	18651	16871	14331		5	515	5.01	24		
48	12824	7629								1/2	199	0.56	7.0	10 Days
	14563	10741								3/4	226	0.83	7.5	
	16046	12787	10092							1	249	1.10	9.2	
	18365	15612	13896	11357						1½	285	1.66	11.1	
	20234	17779	16397	14665	11934					2	314	2.22	13.4	
	23134	21041	19878	18650	17134	15069				3	359	3.31	17.2	
27065	25383	24354	23363	22317	21159	18029			5	420	5.31	23		
54	19267	13895								1	206	1.12	8.7	10 Days
	21980	17983	14194							1½	235	1.66	11.3	
	24131	20831	17904							2	258	2.21	13.0	
	27685	25030	23122	20394	16072					3	296	3.34	15.2	
	32736	30514	29312	27766	25487	22974				5	350	5.50	20	
	37506	35583	34583	33500	32150	30332	26018			7½	401	8.29	26	

Performance certified is for installation type A: Free inlet, Free outlet. Power rating (Bhp) does not include transmission losses. Performance ratings include the effects of a birdscreen. The sound ratings shown are loudness values in fan sones at 5 ft. (1.5 m) in a hemispherical free field calculated per AMCA International Standard 301. Values shown are for installation type A: Free inlet hemispherical sone levels.

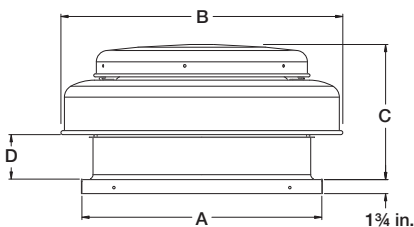


UL/cUL Listed 705 is standard on AE, AS models.



Greenheck Fan Corporation certifies that the Model AE and AS shown herein are licensed to bear the AMCA Seal. The ratings shown are based on tests and procedures performed in accordance with AMCA Publication 211 and Publication 311 and comply with the requirements of the AMCA Certified Ratings Program.

Best Available Program
1 Day



Dimensions for AE, AS

Model Size	A	B	C	D	Nominal Sq. Sizes
					Recommended Roof Opening
10	19	24 ⁵ / ₈	15 ¹ / ₂	5 ¹ / ₂	14 ¹ / ₂
12	22	28 ⁵ / ₈	16 ¹ / ₂	6 ¹ / ₄	14 ¹ / ₂
14	22	28 ⁵ / ₈	16 ¹ / ₂	6 ¹ / ₄	16 ¹ / ₂
16	26	35 ¹ / ₄	17 ¹ / ₄	6 ¹ / ₄	18 ¹ / ₂
18	30	35 ¹ / ₄	17 ¹ / ₄	6 ¹ / ₄	20 ¹ / ₂
20	34	42	17 ¹ / ₂	6 ¹ / ₄	26 ¹ / ₂
24					

All dimensions are in inches.

Model AE and AS Direct Drive

Axial downblast fans are designed for clean air exhaust or supply applications requiring roof mounting. The propeller provides efficient airflow at low static pressures.

Standard Construction	
Housing - aluminum	
Propeller - aluminum	
Birdscreen - galvanized	
Corrosion-resistant fasteners	
NEMA-1 disconnect switch	
Ball bearing motor - 1/4 hp and larger	
Options and Accessories	
Damper	
Roof curb	✓
Roof curb accessories - adaptors, extensions	
Speed control	
Birdscreen - aluminum	
NEMA rated disconnect switch	
Decorative or protective powder coating	

Performance for AE

Model Size	CFM / Static Pressure in inches wg								Motor HP	Max Fan RPM	Max Bhp	Sones @ 0
	0	.1	.125	.25	.375	.5	.75	1				
10	550	475	465	347	255	189			1/8	1750	0.05	9.6
	1014	853	803	376	144				1/6	1140	0.06	5.1
12	1556	1460	1437	1291	1055	672	386		1/4	1750	0.18	9.0
	1601	1381	1311	925	626	273			1/6	1140	0.12	8.2
14	2457	2332	2298	2093	1875	1603	1244	716	1/2	1750	0.41	16.8
	1999	1817	1764	1418	904	682			1/6	1140	0.14	10.5
16	3068	2958	2928	2771	2590	2339	1686	1257	1/2	1750	0.48	17.9
	2982	2713	2645	2264	1669	1276	499		1/3	1140	0.35	11.7
18	4578	4395	4349	4141	3908	3660	2935	2327	1	1750	1.05	28
	3871	3606	3531	3100	2301	1925			1/2	1140	0.38	11.3
20	5943	5785	5745	5507	5260	5007	4246	3295	1 1/2	1750	1.17	23
	5091	4782	4703	4277	3813	3279	2252		1/2	1140	0.63	17.2
24	6042	5714	5626	5137	4619	4146	3136	2028	1	1140	1.17	19.8

Performance certified is for installation type A: Free inlet, Free outlet. Performance ratings include the effects of a birdscreen. The sound ratings shown are loudness values in fan sones at a distance of 5 ft. (1.5 m) in a hemispherical free field calculated per AMCA International Standard 301. Values shown are for installation type A: Free inlet hemispherical sone levels.

Performance for AS

Model Size	CFM / Static Pressure in inches wg								Motor HP	Max Fan RPM	Max Bhp	Sones @ 0
	0	.1	.125	.25	.375	.5	.75	1				
10	503	413	401	343	280	188			1/8	1750	0.05	7.9
	929	835	813	595	415				1/4	1750	0.07	9.6
12	1444	1412	1400	1203	953	641			1/4	1750	0.15	11.4
	2041	1940	1912	1742	1567	1380	1018		1/4	1750	0.25	16.1
14	2586	2442	2395	2176	1971	1799	1380		1/2	1750	0.46	20
	2353	2229	2195	2008	1819	1597	1121		1/2	1750	0.29	20
16	2920	2826	2802	2602	2376	2188	1693	1200	3/4	1750	0.52	21
	3906	3739	3690	3454	3228	2990	2454		3/4	1750	0.76	30
18	4247	4110	4076	3846	3526	3259	2724		1	1750	0.97	31
	3488	3202	3125	2715	2315	1847			1/2	1140	0.34	16.7
20	5355	5181	5137	4886	4648	4408	3830	3272	1 1/2	1750	1.14	29
	4569	4289	4215	3841	3392	2958			1/2	1140	0.50	24
24	5742	5401	5315	4929	4556	4131	3066		1	1140	1.09	29

Performance certified is for installation type A: Free inlet, Free outlet. Performance ratings include the effects of a birdscreen. The sound ratings shown are loudness values in fan sones at a distance of 5 ft. (1.5 m) in a hemispherical free field calculated per AMCA International Standard 301. Values shown are for installation type A: Free inlet hemispherical sone levels.





UL/cUL 705 Power Ventilators
E40001 - RBU, RBUMO and RDU
UL/cUL Power Ventilators for Smoke
Control Systems - MH17511 - RBUMO



Greenheck Fan Corporation certifies that the Model RDU, RBU and RBUMO shown herein are licensed to bear the AMCA Seal. The ratings shown are based on tests and procedures performed in accordance with AMCA Publication 211 and Publication 311 and comply with the requirements of the AMCA Certified Ratings Program.

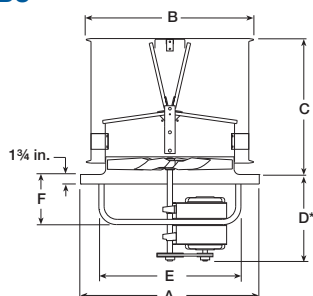
Best Available Program
5 Days

Model RDU Direct Drive and RBU, RBUMO Belt Drive

Axial upblast fans are designed to discharge high volumes of clean or contaminated air up and away from the building.

Standard Construction	RBU	RBUMO	RDU	
Housing - galvanized steel with fully-assembled butterfly dampers and damper stops	■	■	■	
Curb cap and drive assembly	■	■	■	
• sizes 18 through 48 - galvanized steel				
• sizes 54 and 60 - painted steel				
Propeller - aluminum			■	
Propeller - fabricated steel	■	■		
Corrosion-resistant fasteners	■	■	■	
Ball bearing motor - 1/4 hp and larger	■	■	■	
Relubricatable bearings	■	■		
Adjustable motor pulley	■	■		
Options and Accessories	Stock	RBU	RBUMO	RDU
Roof curb	✓	■	■	■
Roof curb accessories - seals, adaptors, extensions		■	■	■
Guards - inlet, outlet		■	■	■
Propeller - aluminum		■	■	
Butterfly dampers - aluminum		■	■	■
Magnetic damper latches		■	■	■
Motorized damper lifters		■	■	■
Fusible link damper lifters		■	■	■
Tie-down points		■	■	■
NEMA rated disconnect switch		■	■	■
Lube lines		■	■	
Dual drives		■	■	
Belt tube			■	
Decorative or protective powder coating		■	■	■
Certified for seismic applications			■	
High temperature option			■	
UL/cUL Listed Power Ventilators		■	■	■
UL/cUL Listed Power Ventilators for Smoke Control Systems			■	

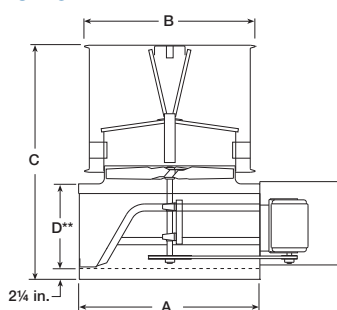
RBU



Model Size	RBU Dimensions							Nominal Sq. Sizes	
	A Curb Cap ID	B	C	D*		E	F	Recommended Roof Opening	
				1, 2	3				
20	30	27 ¹ / ₄	24	15	—	23 ¹ / ₄	9 ¹ / ₂	26 ¹ / ₂	
24	34	31 ¹ / ₈	26	15 ¹ / ₂	16 ³ / ₄	27 ³ / ₈	9 ⁷ / ₁₆	30 ¹ / ₂	
30	40	37 ³ / ₈	30	15 ¹ / ₂	16 ³ / ₄	34 ³ / ₄	9 ⁷ / ₈	36 ¹ / ₂	
36	46	43 ¹ / ₂	33	16 ³ / ₄	16 ³ / ₄	40 ⁷ / ₈	9 ⁷ / ₈	42 ¹ / ₂	
42	52	49 ⁵ / ₈	38	19 ³ / ₈	23 ³ / ₈	46 ³ / ₄	11 ³ / ₄	48 ¹ / ₂	
48	58	56	40	19 ³ / ₈	23 ³ / ₈	52 ³ / ₄	11 ³ / ₄	54 ¹ / ₂	
54	66 ¹ / ₂	62 ⁵ / ₈	45	19 ¹ / ₄	26 ³ / ₈	61 ¹ / ₄	11 ¹ / ₂	63	
60	72 ¹ / ₂	68 ³ / ₄	48	21 ¹ / ₄	27	66 ¹ / ₄	15	69	

*Dimension may vary depending on motor.

RBUMO



Model Size	RBUMO Dimensions				Nominal Sq. Sizes	
	A Curb Cap ID	B	C	D**	Recommended Roof Opening	
20	29 ¹ / ₂	27 ¹ / ₄	43 ¹ / ₂	19 ³ / ₄	26	
24	33 ¹ / ₂	31 ¹ / ₈	45 ⁵ / ₈	17 ¹ / ₂	30	
30	39 ¹ / ₂	37 ³ / ₈	51 ³ / ₄	19 ¹ / ₂	36	
36	45 ¹ / ₂	43 ¹ / ₂	55	19 ¹ / ₂	42	
42	51 ¹ / ₂	49 ⁵ / ₈	59 ⁵ / ₈	19 ⁵ / ₈	48	
48	57 ¹ / ₂	56	63 ³ / ₈	21 ³ / ₄	54	
54	66	62 ⁵ / ₈	70 ³ / ₈	22 ³ / ₄	62 ¹ / ₂	
60	72	68 ³ / ₄	75	23	68 ¹ / ₂	

All dimensions are in inches.

**Sizes 42 through 60 with High Temperature Option will be 5 inches larger.



Model Size	Level	CFM / Static Pressure in inches wg										Motor HP	Fan RPM	Max BHP	Sones @ FA	Quick Build Best Available
		0	.1	.125	.2	.25	.375	.5	.625	.75	1					

Performance for RBU

Model Size	Level	CFM / Static Pressure in inches wg										Motor HP	Fan RPM	Max BHP	Sones @ FA	Quick Build Best Available	
		0	.1	.125	.2	.25	.375	.5	.625	.75	1						
Levels 1L, 2L, 3L	20	1L	5235	4740	4616								1/2	1084	0.60	19.3	5 Days
		2L	5994	5562	5453	5107	4854						3/4	1241	0.90	23	
	24	1L	6791	6158	5984	5271							1/2	808	0.60	18.2	5 Days
		2L	7766	7230	7078	6544	6126						3/4	924	0.90	22	
		3L	8900	8344	8197	7746	7426	6325					1	1135	1.20	24	
	30	1L	11108	9822	9534	8651	7844						3/4	695	0.90	18	5 Days
		2L	15407	14512	14272	13551	13148	12089					2	964	2.41	30	
		3L	17745	17032	16854	16267	15864	14831					3	1154	3.61	38	
	36	1L	15364	13924	13461	11891							1	551	1.23	20	5 Days
		2L	19323	18312	17991	16893	16058	13839					3	693	2.44	29	
3L		26246	25323	25092	24418	23979	22727	21093				5	976	6.01	61		
42	2L	32495	30966	30584	39505	28793	26363	23522	17009	14105		5	718	6.00	39	5 Days	
	3L	31814	30614	30314	29314	28605	26594	24279				5	775	6.02	43		
48	2L	37987	36250	36154	34810	33838	30758	28240	22667			5	594	6.00	30	5 Days	
	3L	44597	42992	42590	41272	40287	37706	35203	32951	29650		7½	690	9.01	45		
54	2L	45751	43351	42675	40511	38535	34407					7½	508	6.43	34	5 Days	
	3L	56220	54100	53570	51903	50444	46970	42530	30918	27190		10	609	12.00	50		
60	3L	64325	61731	61082	58266	56176	50976					10	504	12.00	43	5 Days	
Levels 1H, 2H, 3H	20	1H	4295	4098	4041	3807	3669	3229					1/2	1443	0.60	21	5 Days
		2H	4917	4745	4702	4528	4392	4086	3663				3/4	1652	0.90	24	
	24	1H	7382	7106	7037	6708	6491	6058					3/4	1351	0.90	26	5 Days
		2H	8070	7818	7755	7505	7286	6856	6410				1	1477	1.20	32	
		3H	8358	8016	7931	7653	7458	6975	6435	5723	4403		1	1460	1.20	28	
	30	1H	10942	10328	10165	9637	9279	8280	7021				1	963	1.20	26	5 Days
		2H	13783	13295	13173	12795	12515	11811	11071	10226	9315		2	1213	2.40	34	
		3H	16466	16019	15907	15572	15355	14848	14335	13804	13225	11816	3	1471	3.60	50	
	36	1H	16440	15419	15194	14454	13829	11825					1½	806	1.80	28	5 Days
		2H	20683	19845	19636	19100	18742	17603	16144	14425			3	1014	3.60	41	
3H		23827	23350	23230	22872	22633	21893	21036	20140	19259	17598	5	1401	6.00	66		
42	3H	28701	27935	27743	27168	26759	25703	24539	23290	21671		5	1011	6.01	57	5 Days	
48	3H	40049	38999	38737	37950	37415	36025	34563	32887	31091	27128	7½	876	9.01	51	5 Days	
54	3H	52094	50898	50598	49701	49059	46997	44746	42298	40045	35352	10	811	12.00	54	5 Days	
60	3H	58475	56842	56434	55141	54119	51563	48865	46076	43082	35057	10	673	12.00	48	5 Days	

Performance for RBUMO

Model Size	Level	CFM / Static Pressure in inches wg										Motor HP	Fan RPM	Max BHP	Sones @ FA	Quick Build Best Available	
		0	.1	.125	.2	.25	.375	.5	.625	.75	1						
Levels 1L, 2L, 3L	20	1L	4797	4139	3979								1/2	1060	0.55	18.3	5 Days
		2L	5494	4909	4775	4270							3/4	1214	0.83	22	
	24	1L	6541	5823	5626	4981	4485						3/4	809	0.64	19	5 Days
		2L	7139	6509	6308	5776	5332						3/4	883	0.83	22	
		3L	7826	7227	7094	6619	6223						1	1089	1.10	23	
	30	1L	10038	8806	8593	7542							1	696	0.91	18	5 Days
		2L	13455	12662	12435	11751	11279	9930					2	933	2.20	28	
		3L	15678	14878	14675	14056	13569	12533					3	1109	3.30	36	
	36	1L	14800	13414	13080	11645	10569						1½	551	1.24	20	5 Days
		2L	18614	17474	17215	16418	15687	13643					3	693	2.46	29	
3L		24355	23447	23219	22534	22076	20835	19334				5	943	5.50	49		
42	2L	29635	28435	28136	27002	26190	23993	21646	18927	15694		5	701	5.50	38	5 Days	
	3L	29671	28277	27924	26856	26137	24236	21824				5	750	5.50	42		
48	2L	34761	33231	32809	31238	30166	27319	24091				5	587	5.50	29	5 Days	
	3L	40135	38636	38262	36897	35865	33133	30523	27663	21517		7½	676	8.25	40		
54	3L	51679	49064	48379	46225	44762	40723	36435				10	591	11.00	46	5 Days	
60	3L	61784	58273	57265	53754	51778	45990					10	493	11.00	40	5 Days	
Levels 1H, 2H, 3H	20	1H	3937	3559	3475	3224							1/2	1393	0.55	19.6	5 Days
		2H	4506	4163	4090	3870	3724	3332					3/4	1594	0.83	23	
	24	1H	6540	6164	6065	5770	5530	4900					3/4	1259	0.83	24	5 Days
		2H	7153	6809	6722	6452	6272	5694	5096				1	1377	1.10	29	
		3H	7163	6802	6707	6409	6207	5652	4968				1	1370	1.10	26	
	30	1H	10221	9462	9265	8683	8300						1	929	1.10	26	5 Days
		2H	12839	12243	12092	11621	11307	10546	9632				2	1167	2.20	32	
		3H	15223	14771	14657	14306	14044	13387	12712	12008	11284		3	1420	3.30	49	
	36	1H	15501	14410	14136	13283	12677	10846					1½	784	1.65	27	5 Days
		2H	19534	18669	18453	17802	17368	16187	14947	13188			3	988	3.30	39	
3H		22439	21999	21888	21558	21337	20541	19655	18786	17884	15849	5	1343	5.51	61		
42	3H	26600	25642	25403	24693	24222	22921	21530	20309	18595	14836	5	960	5.50	53	5 Days	
48	3H	37206	35989	35684	34792	34269	32960	31240	29257	27086	20829	7½	842	8.25	47	5 Days	
54	2H	38905	36804	36257	34588	33184	29443					5	585	5.50	34	5 Days	
	3H	48021	46673	46336	45325	44533	42431	40246	37975	35307		10	776	11.00	50		
60	3H	55174	53408	52967	51583	50458	47622	44727	41352	37354	26609	10	650	11.00	46	5 Days	

Performance certified is for installation type A: Free inlet, Free outlet. Power rating (Bhp) does not include transmission losses. Performance ratings do not include the effects of appurtenances (accessories). The sound ratings shown are loudness values in fan sones at 5 ft. (1.5 m) in a hemispherical free field calculated per AMCA International Standard 301. Values shown are for installation type A: Free inlet hemispherical sone levels.



Model TAUD Direct Drive and TAUB-L/H, TAUB-CA Belt Drive

Tube axial upblast roof exhaust fans are designed to efficiently remove and disperse contaminated air. They are best suited for exhausting relatively clean, dry and cool air.

The TAUB-L/H is available with high temperature options that meet IRI, SBCCI, or can be UL Listed as a Power Ventilator for Smoke Control Systems.

TAUB-L/H High Temperature Options	
Option I	200°F (93°C) to 500°F (260°C) Continuous Operation
Option II	500°F (260°C) for minimum of 4 hours
Option III	1000°F (538°C) for minimum of 15 minutes
Option IV	UL Listed Power Ventilators for Smoke Control Systems



Performance

TAUD capacities range from 2,800 to 46,000 cfm and up to 1 in. wg of static pressure.

TAUB-L/H capacities range from 4,000 to 60,000 cfm and up to 1 in. wg of static pressure.

TAUB-CA capacities range from 2,800 to 74,000 cfm and up to 1.25 in. wg of static pressure.



Greenheck Fan Corporation certifies that the Model TAUD and TAUB-CA shown herein are licensed to bear the AMCA Seal. The ratings shown are based on tests and procedures performed in accordance with AMCA Publication 211 and comply with the requirements of the AMCA Certified Ratings Program.



Greenheck Fan Corporation certifies that the Model TAUB-L and TAUB-H shown herein are licensed to bear the AMCA Seal. The ratings shown are based on tests and procedures performed in accordance with AMCA Publication 211 and Publication 311 and comply with the requirements of the AMCA Certified Ratings Program.

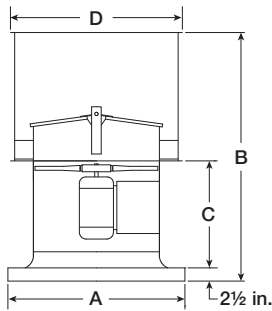
Standard Construction	TAUD	TAUB-L/H	TAUB-CA	
Heavy-gauge curb cab, tubular housing and windband	■	■	■	
Propeller - cast aluminum airfoil	■			
Propeller - fabricated steel		■		
Polished steel shaft		■	■	
Corrosion-resistant fasteners	■	■	■	
Cast iron pillow block bearings Minimum bearing life of L ₁₀ 40,000 hours		■	■	
Adjustable motor plate		■	■	
Butterfly backdraft damper - steel, aluminum	■	■	■	
Extended lube lines		■	■	
Permatector™ protective powder coating	■	■	■	
Options and Accessories	Stock	TAUD	TAUB-L/H	TAUB-CA
Roof curb	✓	■	■	■
Curb seal		■	■	■
Guards - inlet, outlet		■	■	■
Magnetic damper latches		■	■	■
Fusible link damper lifter		■	■	■
Access door - bolted, hinged		■	■	■
Tie-down points		■	■	■
NEMA-1 or NEMA-3R disconnect switch		■	■	■
Shaft seal			■	■
Bearings with high temperature grease and zerk fittings			■	
Decorative or protective powder coating		■	■	■
UL/cUL Listed Power Ventilators		■	■	■

Best Available Program

10 Days



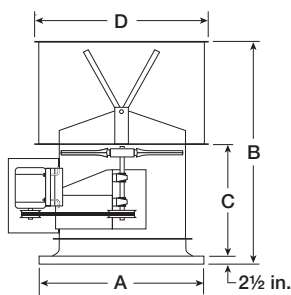
TAUD



Dimensions for TAUD

Model Size	A	B	C	D	Nominal Sq. Sizes	
					Recommended Roof Opening	
18	26	44	21 ¹ / ₄	25	20 ¹ / ₂	
20	30	46 ¹ / ₈	22 ³ / ₈	27 ¹ / ₄	20 ¹ / ₂	
24	34	48 ¹ / ₂	22 ¹ / ₈	31 ¹ / ₈	26 ¹ / ₂	
30	40	53 ³ / ₄	24 ¹ / ₂	37 ³ / ₈	32 ¹ / ₂	
36	46	56 ³ / ₈	24 ⁵ / ₈	43 ¹ / ₂	38 ¹ / ₂	
42	52	66 ⁷ / ₈	30 ¹ / ₄	49 ⁷ / ₈	44 ¹ / ₂	
48	58	69 ¹ / ₈	32 ¹ / ₂	56	50 ¹ / ₂	

TAUB-L/H • TAUB-CA



Dimensions for TAUB-L/H, TAUB-CA

Model Size	A	B	C	D	Nominal Sq. Sizes	
					Recommended Roof Opening	
18	26	48 ¹ / ₄	25 ¹ / ₂	25	20 ¹ / ₂	
20	30	51 ¹ / ₂	27 ³ / ₄	27 ¹ / ₄	20 ¹ / ₂	
24	34	52 ³ / ₄	26 ³ / ₈	31 ¹ / ₈	26 ¹ / ₂	
30	40	56 ³ / ₄	27 ¹ / ₂	37 ³ / ₈	32 ¹ / ₂	
36	46	64 ³ / ₈	32 ⁵ / ₈	43 ¹ / ₂	38 ¹ / ₂	
42	52	71	34 ¹ / ₄	49 ⁷ / ₈	44 ¹ / ₂	
48	58	76 ³ / ₄	40	56	50 ¹ / ₂	
54	64	86 ³ / ₄	44	62 ⁵ / ₈	50 ¹ / ₂	
60	70	93 ³ / ₄	48 ¹ / ₈	68 ³ / ₄	50 ¹ / ₂	

All dimensions are in inches.

Performance for TAUD

Model Size	Min/Max RPM	Max Bhp	CFM / Static Pressure in inches wg						Quick Build
			0	.125	.25	.5	.75	1	Best Available
18	1140	0.36	3221	2739					10 Days
	1725	1.08	4584	4348	4108	3536			
20	1140	0.59	4448	3989					10 Days
	1725	1.89	5568	5267	4926	4187			
24	860	0.37	5090	4038					10 Days
	1140	1.14	7383	6740	6072				
	1725	3.33	10695	10288	9901	9073	8095	7603	
30	860	1.15	10898	9636	8215				10 Days
	1140	2.27	13691	12762	11812	9695			
	1725	5.44	18144	17485	16789	15137	13450	11405	
36	860	3.29	19008	17401	15604				10 Days
	1140	5.44	22914	21960	20736	18177	14977		
	1725	11.31	29680	28872	28042	26197	24193	22056	
42	680	2.33	21959	19186	15981				10 Days
	860	3.36	25086	23084	20771	14921			
	1140	10.98	36814	35197	33468	30373	25503		
48	680	3.37	30936	27426	23440				10 Days
	860	5.38	36360	33983	31147	24197			
	1140	10.95	46455	44268	42243	38672	32978	26099	

Performance certified is for installation type A: Free inlet, Free outlet. Performance ratings do not include the effects of appurtenances (accessories).

Performance for TAUB-L/H

Model Size	Min/Max RPM	Max Bhp	Sones @ 0	CFM / Static Pressure in inches wg						Quick Build
				0	.125	.25	.5	.75	1	Best Available
24L	830	0.47	16.4	5229	4378					10 Days
	1085	1.05	27	6836	6241	5394				
24H	1120	0.61	23	5670	5110	4535				10 Days
	1935	3.14	48	9796	9449	9122	8508	7825	7061	
30L	645	0.65	15.8	8200	6783					10 Days
	1090	3.12	39	13858	13112	12294				
30H	800	0.61	20	7918	6962	5792				10 Days
	1635	5.24	62	16183	15750	15299	14317	13275	12097	
36L	525	0.93	15.2	12231	10169					10 Days
	790	3.16	27	18406	17049	15724				
36H	675	0.77	21	10993	9732	7998				10 Days
	1275	5.20	59	20764	20131	19479	18046	16295	14107	
42L	460	1.29	14.6	17129	14337					10 Days
	735	5.24	32	27370	25873	24085				
42H	505	0.92	17.7	14272	12245	9526				10 Days
	1030	7.83	55	29110	28201	27270	25161	22788	19954	
48L	355	1.29	15.2	20588	16453					10 Days
	645	7.76	37	37406	35385	33208				
48H	450	1.29	23	19561	17102	13778				10 Days
	905	10.45	65	39340	38238	37083	34465	31348	27882	
54L	335	1.85	19.3	27858	22274					10 Days
	595	10.39	53	49480	46830	43652				
54H	400	1.67	22	25557	22388	18005				10 Days
	845	15.71	75	53989	52493	51021	48133	44364	40101	
60L	315	2.39	19.7	32132						10 Days
	515	10.46	47	52534	48396					
60H	380	2.14	23	31149	27225	21706				10 Days
	735	15.57	68	60249	57945	56057	52062	47485	40615	

Performance certified is for installation type A: Free inlet, Free outlet. Power rating (Bhp) does not include transmission losses. Performance ratings do not include the effects of appurtenances (accessories). The sound ratings shown are loudness values in fan zones at 5 ft. (1.5 m) in a hemispherical free field calculated per AMCA International Standard 301. Values shown are for installation type A: free inlet fan zone levels.

Performance for TAUB-CA

Model Size	Min/Max RPM	Max Bhp	CFM / Static Pressure in inches wg						Quick Build	
			0	.125	.25	.5	.75	1	Best Available	
18	1400	0.40	2980	2745						10 Days
	2235	1.65	4758	4616	4469	4136	3779	3368		
20	1265	0.40	3679	3358	2980					10 Days
	2190	2.09	6369	6202	6016	5606	5158	4559		
24	1015	0.43	5242	4696	4059					10 Days
	1975	3.13	10199	9979	9683	9072	7743	6894		
30	820	0.49	7864	6807	5588					10 Days
	1810	5.23	17358	16899	16423	15453	13379	12150		
36	745	0.65	11255	9741	7659					10 Days
	1700	7.85	25682	25052	24415	23061	19932	17982		
42	595	0.94	14015	12285						10 Days
	1345	11.0	31680	30983	30285	28687	25203	22811		
48	495	1.16	17450	15218	12027					10 Days
	1170	15.4	41246	40397	39549	37606	33275	30576		
54	475	2.24	28091	24924	20807					10 Days
	1000	21.0	59138	57763	56388	53191	45765	40271		
60	415	2.15	32356	27799	22312					10 Days
	950	26.0	74069	72236	70403	66236	57694	52483		

Performance certified is for installation type A: Free inlet, Free outlet. Power rating (Bhp) does not include transmission losses. Performance ratings do not include the effects of appurtenances (accessories).

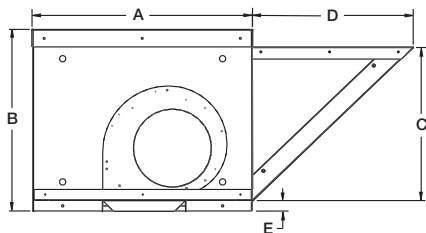


UL/cUL Listed 705 is standard on In Stock models.



Greenheck Fan Corporation certifies that the Model SAF shown herein is licensed to bear the AMCA Seal. The ratings shown are based on tests and procedures performed in accordance with AMCA Publication 211 and Publication 311 and comply with the requirements of the AMCA Certified Ratings Program.

Model	Best Available Program
SAF-110 through 118	In Stock
SAF-120	5 Days



Dimensions for SAF

Model Size	A	B	C	D	E	Nominal Sq. Sizes
						Recommended Roof Opening
110	30	25	21 ¹ / ₁₆	22	1 ¹ / ₂	16 ¹ / ₂
112	34	32 ¹ / ₁₆	27 ³ / ₁₆	29 ¹ / ₄	2	20 ¹ / ₂
115	34	32 ¹ / ₁₆	27 ³ / ₁₆	29 ¹ / ₄	2	26 ¹ / ₂
118	40	36 ¹ / ₁₆	31 ¹ / ₁₆	32	2	32 ¹ / ₂
120	46	48 ¹ / ₁₆	44 ¹ / ₁₆	35 ¹³ / ₁₆	2 ¹ / ₈	38 ¹ / ₂

All dimensions are in inches.

Model SAF Belt Drive

Centrifugal supply fans are designed to draw filtered untempered air from one side of the housing.

Standard Construction

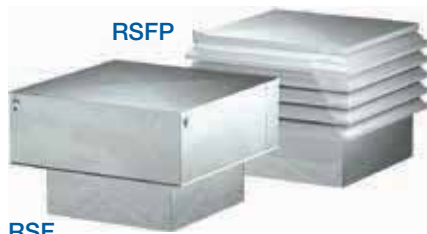
Housing - galvanized steel	
Wheel - forward-curved, galvanized, double-width	
Cover and weatherhood - removable	
Corrosion-resistant fasteners	
NEMA-1 disconnect switch	
Filters - one-inch aluminum, washable	
Ball bearing motor - 1/4 hp and larger	
Double-studded vibration isolators	
Lifting lugs	
Adjustable motor pulley	
Options and Accessories	Stock
Damper	✓
Roof curb	✓
Roof curb accessories - adaptors, extensions	
Duct adaptor	
NEMA rated disconnect switch	
Dual drives	
UL/cUL Listed Power Ventilators	

Performance for SAF

Model Size	CFM	RPM / Static Pressure in inches wg								Max BHP	Sones @ .25	Quick Build Best Available	In Stock
		.125	.25	.5	1	1.25	1.5	2	2.5				
110	820	432	549							0.08	11.9	5 Days	SAF-110-LMDX-QD
	1180	525	616	780						0.26	11.2		
	1540	632	707	844	1082	1192				0.66	11.7		
	1900	745	809	927	1140	1238	1328			1.02	14.1		
	2260	859	920	1023	1210					1.05	17.6		
	2620	977	1032							1.04	22		
112	1250	390	483							0.11	12.6	5 Days	SAF-112-LMDX-QD
	1750	459	549	682						0.31	12.7		
	2250	549	615	745						0.61	14.9		
	2750	647	698	810	990	1077				1.21	19.9		
	3250	748	790	880	1063					1.54	23		
	3750	849	888	962						1.50	27		
115	1300	316	407	546						0.34	8.9	5 Days	SAF-115-LMDX-QD
	2000	387	463	586	781	861	934			1.23	9.0		
	2700	479	534	642	821	898	970	1098		2.12	11.2		
	3400	577	621	712	870	942	1011			1.91	16.5		
	4100	677	717	785	935					2.04	21		
	4800	780	815							1.96	26		
118	2500	294	359	466						0.57	9.4	5 Days	SAF-118-LMDX-QD
	3700	376	426	516	664	734	800			1.67	10.1		
	4900	466	508	582	713	772	828	932	1034	4.46	14.5		
	6100	563	594	661	775	828	878	973	1059	5.08	20		
	7300	662	688	744	846	895	939			4.63	27		
	8500	760	786	831						5.10	34		
120	4000	275	325	414	553	612				1.41	13.2	5 Days	-
	6000	363	403	472	594	647	695	788	871	4.28	19.6		
	8000	462	491	550	649	698	744	828	903	8.14	23		
	10000	564	588	635	726	766	803	880	952	9.77	29		
	12000	668	689	725	806	844	879			9.46	39		
	14000	772	791							10.11	51		

Performance certified is for installation type B: Free inlet, Ducted outlet. Power rating (Bhp) does not include transmission losses. Performance ratings include the effects of filters. The sound ratings shown are loudness values in fan sones at 5 ft. (1.5 m) in a hemispherical free field calculated per AMCA International Standard 301. Values shown are for installation type B: Free inlet hemispherical sone levels.





RSF



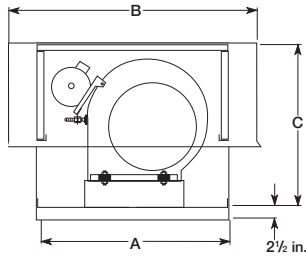
UL/cUL 705 Power Ventilators
E40001 - RSF, RSFP



Greenheck Fan Corporation certifies that the Model RSF and RSFP shown herein are licensed to bear the AMCA Seal. The ratings shown are based on tests and procedures performed in accordance with AMCA Publication 211 and comply with the requirements of the AMCA Certified Ratings Program.

Best Available Program
5 Days

RSF

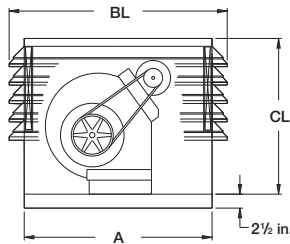


Dimensions for RSF

Model Size	A sq.	B sq.	C	Nominal Sq. Sizes	
				Recommended Roof Opening	Damper Size
90	26	35 1/8	23 3/4	15	12
100	30	41 1/8	23 3/4	17	14
120	34	47 1/8	27 1/4	21	18
150	40	53 1/8	31 1/4	23	20
180	46	61 1/8	34 3/4	29	26
200	52	73 1/8	39 3/4	33	30

All dimensions are in inches.

RSFP



Dimensions for RSFP

Model Size	A sq.	BL sq.	CL	Nominal Sq. Sizes	
				Recommended Roof Opening	Damper Size
90	26	31 1/8	25 3/8	15	12
100	30	35 1/8	25 3/8	17	14
120	34	39 1/8	29 3/8	21	18
150	40	45 1/8	33 3/8	23	20
180	46	51 1/8	35 3/8	29	26
200	52	58 1/8	40 3/8	33	30

All dimensions are in inches.

Model RSF and RSFP Belt Drive

Centrifugal supply fans are designed to draw filtered untempered air from all four sides of the housing.

Standard Construction	RSF	RSFP	
Housing - galvanized steel	■		
Housing - louvered penthouse, extruded aluminum		■	
Wheel - forward-curved, steel, double-width	■	■	
Insulated removable cover with quick release latches	■	■	
Corrosion-resistant fasteners	■	■	
Filters - one-inch aluminum, washable	■	■	
Ball bearing motor - 1/4 hp and larger	■	■	
Double-studded vibration isolators	■	■	
Adjustable motor pulley	■	■	
Options and Accessories	Stock	RSF	RSFP
Damper		■	■
Roof curb	✓	■	■
Roof curb accessories - seals, adaptors, extensions		■	■
Duct adaptor		■	■
Tie-down points		■	■
NEMA rated disconnect switch		■	■
Dual drives		■	■
Decorative or protective powder coating		■	■
Certified for high wind and seismic applications		■	■
UL/cUL Listed Power Ventilators		■	■

Performance for RSF, RSFP

Model Size	CFM	RPM / Static Pressure in inches wg										Max BHP	Sones @ .25	Quick Build Best Available	
		.125	.25	.5	.75	1	1.25	1.5	1.75	2					
90	700	447	575										0.06	5.6	5 Days
	1020	533	639	818	971							0.24	8.5		
	1340	640	724	880	1017	1142	1256					0.53	9.1		
	1660	754	826	958	1082	1194	1301					0.72	10.4		
	1980	873	935	1048	1159							0.74	12.2		
	2300	995	1048									0.78	14.7		
100	700	377	504										0.05	4.2	5 Days
	1240	476	572	733	875							0.27	6.3		
	1780	605	679	813	931	1040	1143	1239				0.77	11.3		
	2320	747	807	917	1020	1116	1204	1291	1371	1450		1.40	13.9		
	2860	898	945	1040	1127	1212	1293					1.54	16.4		
	3400	1053	1089									1.54	19.8		
120	1150	330	430										0.09	5.0	5 Days
	1840	409	487	622	737							0.41	8.5		
	2530	506	569	682	781	874	958					1.04	11.7		
	3220	615	664	760	847	930	1005	1079	1148			1.79	14.9		
	3910	728	766	849	927	997	1069					2.06	19.2		
	4600	845	877									2.09	21		
150	1625	274	362										0.13	7.6	5 Days
	2665	340	410	524								0.47	9.7		
	3705	425	477	576	659	739	813					1.54	13.1		
	4745	517	560	642	719	785	850	913	972			2.84	16.7		
	5785	612	649	715	785	849						2.94	22		
	6800	708	739									3.14	26		
180	2450	241	317										0.20	4.7	5 Days
	4040	310	363	459	544							0.96	7.5		
	5630	394	434	510	579	647	711	768				2.64	11.8		
	7220	478	516	581	639	691	747	799	852			4.35	17.0		
	8810	570	601	654	710	758	803					5.19	23		
	10400	666	687									5.19	27		
200	2900	200	266										0.20	3.9	5 Days
	5180	261	307	389	462	525						1.40	6.3		
	7460	341	374	438	497	553	603	654	700	744		4.06	11.2		
	9740	428	452	503	553	600	644	687	729	768		5.90	17.0		
	12020	518	538	578	619	660	698	737				7.44	24		
	14300	609	626									7.66	31		

Performance certified is for installation type B: Free inlet, Ducted outlet. Power rating (Bhp) does not include transmission losses. Performance ratings include the effects of one-inch aluminum filters. The AMCA Certified Ratings Seal applies to air performance only.





Shown with tall base option.

UL/cUL 705 Power Ventilators
E40001 - RE2, RS2, RCE3, RCS3, RBE,
RBS, RBCE, RBCS



Greenheck Fan Corporation certifies that the Model RE2, RS2, RCE3, RCS3, RBE, RBS, RBCE, RBCS shown herein are licensed to bear the AMCA Seal. The ratings shown are based on tests and procedures performed in accordance with AMCA Publication 211 and Publication 311 and comply with the requirements of the AMCA Certified Ratings Program.

Best Available Program

5 Days

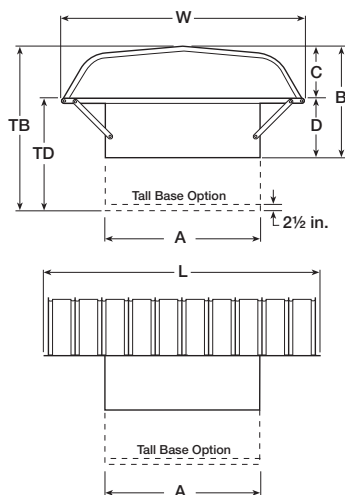
Model RE2, RS2, RCE3, RCS3 Direct Drive and RBE, RBS, RBCE, RBCS Belt Drive

Hooded roof fans are designed to **exhaust** or **supply** high volumes of air from commercial and industrial buildings. Interlocking fabra hood design consists of four material thicknesses at each rib location ensuring strength in severe conditions. Some models are available as filtered or reversible.

Standard Construction	Direct Drive		Belt Drive		
	RE2 RS2	RCE3 RCS3	RBE RBS	RBCE RBCS	
Hood and base - galvanized steel	■	■	■	■	
Propeller - cast aluminum		■		■	
Propeller - fabricated steel	■		■		
Birdscreen - galvanized	■	■	■	■	
Corrosion-resistant fasteners	■	■	■	■	
Filters - two-inch aluminum, washable (RBF, RBCF, RPBRF, RPDRF)			■	■	
Ball bearing motor - 1/4 hp and larger	■	■	■	■	
Relubricatable bearings			■	■	
Adjustable motor pulley			■	■	
Options and Accessories	Stock	RE2 RS2	RCE3 RCS3	RBE RBS	RBCE RBCS
Damper		■	■	■	■
Roof curb	✓	■	■	■	■
Roof curb accessories - seals, adaptors, extensions		■	■	■	■
Tall base with access door		■	■	■	■
Hood and base - aluminum		■	■	■	■
Hood insulation		■	■	■	■
Safety guards		■	■	■	■
Wiring - pigtails		■	■	■	■
Lube lines				■	■
Tie-down points and lifting lugs		■	■	■	■
NEMA rated disconnect switch		■	■	■	■
Dual drives				■	■
Decorative or protective powder coating		■	■	■	■
Certified for high wind and seismic applications		■	■	■	■
UL/cUL Listed Power Ventilators		■	■	■	■

Dimensions

- Direct Drive Sizes 18-54
- Belt Drive Sizes 20-72



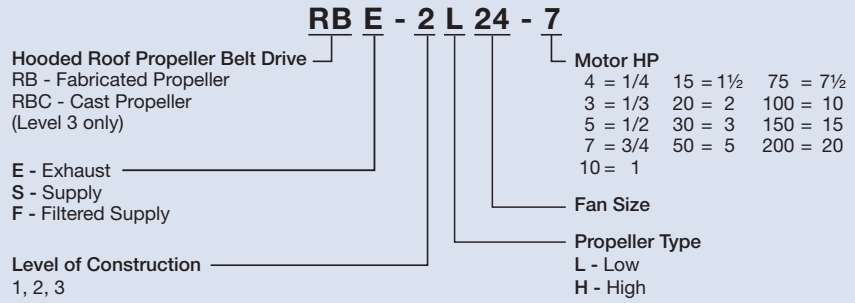
Model Size	Fan Panel Sq. Size		Standard Base		Tall Base		Standard Hood	Filtered Hood	Damper Sq. Size	Roof Opening Sq. Size
	A	C	B	D	TB	TD	W x L	W x L		
18	28¼	13	23	10	40¼	27¼	48 x 51	—	18	20½
20	30¼	16	27	11	44¼	28¼	54 x 51	54 x 51	20	22½
24	34¼	18	29	11	46¼	28¼	66 x 63	66 x 63	24	26½
30	40¼	20	34	14	51¼	31¼	75 x 75	78 x 87	30	32½
36	46¼	22	39½	17½	56¾	34¾	88 x 87	94 x 87	36	38½
42	52¼	24	42½	18½	59¾	35¾	86 x 99	93 x 99	42	44½
48	58¼	24	43½	19½	60¾	36¾	93 x 111	112 x 111	48	50½
54	64¼	26½	49	22½	66¼	39¾	112 x 111	124 x 123	54	56½
60	70¼	26½	50	23½	67¼	40¾	124 x 123	136 x 135	60	62½
72	82½	29	53	24	70¼	41¼	136 x 135	136 x 147	72	74½

All dimensions are in inches.



Model Number Code

The model number system is designed to completely identify the fan. The correct code letters must be specified to designate belt drive with exhaust, supply or filtered supply air configurations. The remainder of the model number is determined by the size and performance.



Performance for RE2 Exhaust

Model Size	CFM / Static Pressure in inches wg										Motor HP	Fan RPM	Max BHP	Sones @ FA	Quick Build Best Available
	0	.1	.125	.2	.25	.375	.5	.625	.75	1					
18	3386	2996	2886	2557	2378	1720					1/3	1160	0.39	16.9	5 Days
	3981	3765	3711	3553	3444	3146	2787	2390	1857	1373	1/2	1750	0.58	24	
20	3970	3574	3474	3089	2809	2126					1/3	1160	0.39	18.9	5 Days
	6483	6222	6157	5936	5774	5338	4911	4495	3955	2613	1½	1750	1.87	36	
24	5761	5091	4880	4303	3832	2238					1/2	860	0.57	20	5 Days
	7340	6909	6772	6370	6116	5412	4579				1	1160	1.15	26	
	8958	8723	8665	8489	8355	7991	7598	7157	6658	5501	2	1750	2.22	42	
30	11552	10704	10497	9821	9289	7635	5280	4396			1½	860	1.80	33	5 Days
	12763	12327	12219	11885	11552	10706	9843	8931	7789	5540	2	1160	2.31	34	
36	14330	13477	13241	12532	12053	10674	9238	7414	5518	2870	1½	860	1.70	32	5 Days
	17695	17217	17098	16739	16434	15589	14632	13650	12637	10360	3	1160	3.51	41	
42	24809	24003	23801	23188	22562	20827	19325	17993	16421	12586	5	860	5.75	42	5 Days
48	30865	29709	29420	28491	27794	26120	24429	22624	20654	16320	5	860	5.89	54	5 Days
54	36939	34858	34325	32693	31655	28940	26112	23257	20185	14004	5	690	5.77	53	5 Days
	41470	40161	39834	38758	37868	35722	33672	31561	29317	24635	7½	860	8.67	55	

Performance for RCE3 Exhaust

Model Size	CFM / Static Pressure in inches wg										Motor HP	Fan RPM	Max BHP	Sones @ FA	Quick Build Best Available
	0	.1	.125	.2	.25	.375	.5	.625	.75	1					
20	4289	3954	3857	3520	3319	2393	2037	1369	722		1/2	1160	0.58	16.8	5 Days
	5547	5343	5292	5125	5011	4730	4430	4085	3408	2690	1	1750	1.21	29	
24	5278	4692	4531	4020	3515	1734	790				1/3	860	0.37	14	5 Days
	8028	7553	7419	6982	6683	5916	4996	3091	2248		1	1160	1.20	23	
	9652	9360	9287	9061	8901	8523	8192	7795	7372	6379	2	1750	2.41	39	
30	9883	8802	8568	7840	7302	4215					1	860	1.15	20	5 Days
	12868	12202	12037	11541	11136	10061	9091	7917	5544	2654	2	1160	2.41	28	
36	16244	14958	14614	13167	11879	7823	5353	3370			2	860	2.35	29	5 Days
	21911	20994	20756	19993	19413	17563	15139	11778	9457	6158	5	1160	5.76	44	
42	19575	17650	17067	15425	14385	10580	5867				2	690	2.33	24	5 Days
	22468	21128	20720	19447	18603	16393	14043	10986	7237		3	860	3.31	32	
48	26494	24087	23315	21222	19772	13442	8960				3	690	3.45	28	5 Days
	34013	31658	31127	29379	28063	24292	18161	15030	11775		7½	860	7.80	42	
54	36212	33116	32365	30348	29048	25306	21143	14888			5	690	5.59	46	5 Days
	42298	40107	39559	38113	37160	34639	31463	28305	25033	16045	7½	860	8.37	55	

Performance certified is for installation type A: Free inlet, Free outlet. Power rating (Bhp) does not include transmission losses. Performance ratings include the effects of a birdscreen. The sound ratings shown are loudness values in fan sones at 5 ft. (1.5 m) in a hemispherical free field calculated per AMCA International Standard 301. Values shown are for installation type A: free inlet hemispherical sone levels.

Performance for RBE • Levels 1L, 2L, 3L Exhaust

Model Size	Level	CFM / Static Pressure in inches wg										Motor HP	Fan RPM	Max BHP	Sones @ FA	Quick Build	
		0	.1	.125	.2	.25	.375	.5	.625	.75	1					Best Available	
20	1L	4525	4180	4095	3825	3562							1/2	1025	0.60	16.9	5 Days
	2L	5169	4866	4791	4569	4409	3807	3135	2341	1759			3/4	1171	0.90	21	
24	1L	6418	5895	5767	5191	4813							3/4	809	0.68	16.6	5 Days
	2L	7045	6567	6450	5991	5636	4721	3650	2683				3/4	888	0.90	19.2	
	3L	7329	7010	6926	6672	6503	6082	5502	4640				1	1278	1.20	26	
30	1L	9938	8931	8653	7789	6795							1	696	0.95	19.8	5 Days
	2L	12337	11537	11329	10675	10214	8597	6789	5337	3697			1 1/2	864	1.81	28	
	3L	11661	11122	10987	10573	10241	9412	8026	6430	5042	3449		1 1/2	996	1.80	30	
36	1L	13614	12080	11667	10425	9480							1	551	1.21	17.7	5 Days
	2L	17123	15884	15591	14644	13986	12256	10416	7791	5177			2	693	2.40	27	
	3L	19176	18498	18329	17814	17453	16516	15416	13927	12092	7865		3	922	3.61	37	
42	3L	28038	27244	27046	26394	25859	24522	23097	21119	19272	13887		5	868	6.01	39	5 Days
48	3L	33135	31849	31527	30562	29743	27622	25451	23022	19395	15045		5	690	6.02	32	5 Days
54	3L	44393	42564	42106	40659	39669	37113	34363	31450	27707	21765		7 1/2	650	9.27	39	5 Days
60	3L	56645	54544	53978	52124	50801	47250	43881	40629	36745	27742		10	582	12.1	43	5 Days
72	3L	82283	79119	78328	75876	74199	69854	65283	60221	54396	42796		15	508	18.0	52	5 Days

Performance for RBE • Levels 1H, 2H, 3H Exhaust

Model Size	Level	CFM / Static Pressure in inches wg										Motor HP	Fan RPM	Max BHP	Sones @ FA	Quick Build	
		0	.1	.125	.2	.25	.375	.5	.625	.75	1					Best Available	
20	1H	4015	3778	3721	3549	3422	3104	2733	2094				1/2	1348	0.60	24	5 Days
	2H	4617	4410	4359	4209	4109	3837	3560	3244	2638			3/4	1550	0.90	31	
24	1H	5407	5101	5003	4698	4473	3945						1/2	1152	0.60	29	5 Days
	2H	6153	5884	5817	5560	5383	4901	4430	3759	3144	1986		3/4	1311	0.90	34	
	3H	7019	6706	6628	6367	6193	5766	5313	4800	3901	2764		1	1461	1.20	29	
30	1H	8717	8072	7899	7361	6992	5871	4176					3/4	895	0.90	23	5 Days
	2H	10958	10462	10329	9915	9632	8907	8114	7084	5500	4359		1 1/2	1125	1.80	34	
	3H	12938	12452	12331	11960	11712	11029	10290	9534	8799	7147		2	1239	2.41	36	
36	1H	13075	11644	11361	10574	9946	7949	5287					1	679	1.20	19.2	5 Days
	2H	16484	15209	14985	14311	13893	12777	11342	9566	7133			2	856	2.40	34	
	3H	21459	21027	20919	20595	20380	19848	19309	18381	17651	15848		5	1357	6.01	55	
42	2H	28151	27191	26951	26113	25492	23950	22791	21431	20004	16721		7 1/2	907	6.87	79	5 Days
	3H	26074	25040	24812	24222	23791	22526	21581	20362	19109	16508		5	898	6.01	37	
48	2H	32802	31467	31134	29729	28991	27388	25394	23296	20980	16755		5	734	6.05	49	5 Days
	3H	35819	34711	34434	33592	32994	31499	30055	28614	27145	24209		7 1/2	842	9.01	45	
54	2H	37837	35990	35477	33902	32810	29925	26992	24138	20503	12878		7 1/2	562	6.27	72	5 Days
	3H	45490	44279	43977	43103	42593	41317	39704	38024	36651	32982		10	795	12.0	61	
60	2H	43719	41547	41005	39377	38264	35387	32285	29285	25738	14495		7 1/2	559	7.00	39	5 Days
	3H	52948	51154	50706	49366	48472	46186	43809	41335	38757	33604		10	677	12.0	49	
72	3H	74799	72929	72461	71059	70066	67088	64146	61218	58111	50925		15	606	18.0	59	5 Days

Performance for RBCE • Level 3H Exhaust

Model Size	Level	CFM / Static Pressure in inches wg										Motor HP	Fan RPM	Max BHP	Sones @ FA	Quick Build	
		0	.1	.125	.2	.25	.375	.5	.625	.75	1					Best Available	
24	3H	8669	8332	8259	8041	7885	7481	7075	6588	6049	4420		1 1/2	1605	1.80	37	5 Days
30	3H	14501	14023	13903	13522	13262	12616	11935	11188	10361	8625		3	1476	3.61	41	5 Days
36	3H	22572	21982	21835	21366	21050	20257	19438	18573	17639	15808		5	1591	6.01	50	5 Days
42	3H	27358	26462	26238	25557	25095	23913	22668	21413	20072	16964		5	1238	6.01	47	5 Days
48	3H	37602	36431	36143	35380	34871	33292	31648	30046	28305	24604		7 1/2	1299	9.01	67	5 Days
54	3H	45235	44052	43757	42870	42285	40822	39428	38072	36508	32833		10	968	12.0	56	5 Days
60	3H	51863	50294	49902	48734	47965	46050	44255	42335	40041	34764		10	814	12.0	49	5 Days
72	3H	77955	75436	74807	72914	71576	68231	64867	61125	56486	47522		15	714	18.0	56	5 Days

Performance certified is for installation type A: Free inlet, Free outlet. Power rating (Bhp) does not include transmission losses. Performance ratings include the effects of a birdscreen. The sound ratings shown are loudness values in fan sones at 5 ft. (1.5 m) in a hemispherical free field calculated per AMCA International Standard 301. Values shown are for installation type A: free inlet hemispherical sone levels.