

Hanger Bracket Locations for “G _ _ W” (GH, GK, GX, GG, GW) Series Hoods with 3 inch Air Space

Notes For Hoods With Standard Duct Locations:

1. Hoods less than or equal to 120 in. in length have (4) corner hanger brackets. Hoods longer than 120 in. have (8) hanger brackets, as shown below.
2. The hanger brackets are attached to line up from front to back of hood, as shown below.
3. Hoods with two duct collars, exhaust (supply), will have inside hanger brackets mounted a minimum of 6 in. from the edge of the duct collar, as shown below.
4. You must first make the $A/2$ or $A/4$ calculation; add $1/2$ of the length of the duct collar plus 6 in. to compare to the $A/3$ calculation. If the $A/3$ inside bracket location is in conflict with the duct collar location, the minimum of 6 in. from the edge of the duct collar rule applies.

Example: 12 ft. hood, one 12 in. x 24 in. duct collar

12 ft. div. by $2(A/2) = 72$ in. 72 in. - 12 in. ($1/2$ of 24 in.) - 6 in. = 54 in.

12 ft. div. by $3(A/3) = 48$ in. 48 in. is less than 54 in., use 48 in. for inside bracket location.

Example: 12 ft. hood, two 12 in. x 24 in. duct collars

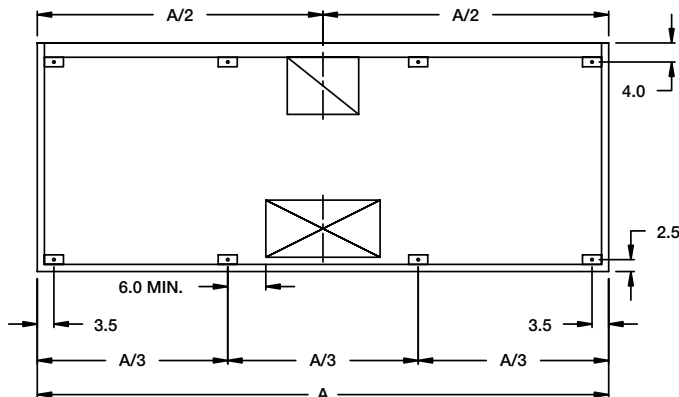
12 ft. div. by $4(A/4) = 36$ in. + 12 in. ($1/2$ of 24 in.) + 6 in. = 54 in.,

12 ft. div. by $3(A/3) = 48$ in. 48 in. is less than 54 in., use 54 in. for inside bracket location (6 in. minimum rule applies)

5. Hoods with non-standard duct locations will require a special drawing showing hanger bracket locations relative to the requirements, consult factory for special drawing.

Following are hanger bracket locations for standard “G _ _ W” (GH, GK, GX, GG, GW) Series Canopy Hoods:

Exhaust only or compensating hood
with one duct collar



Exhaust only or compensating hood
with two duct collars

