

Assembly and Installation Instructions

Please read and save these instructions for future reference. Read carefully before attempting to assemble, install, operate or maintain the product described. Protect yourself and others by observing all safety information. Failure to comply with instructions could result in personal injury and/or property damage!



Wall collars offer a method for mounting sidewall propeller fans. Standard construction is of galvanized steel (painted steel is optional) with heavy-gauge mounting flanges and prepunched mounting holes.

Wall Mount Collar Parts List

Item	Description
1	Top Panel with Damper Lip
2	Bottom Panel with Weep Holes
3 & 4	Side Panels (interchangeable on fan sizes 24 thru 72)
5 & 6	Top and Bottom Flanges (interchangeable)
7 & 8	Side Flanges (interchangeable)
8	Fasteners

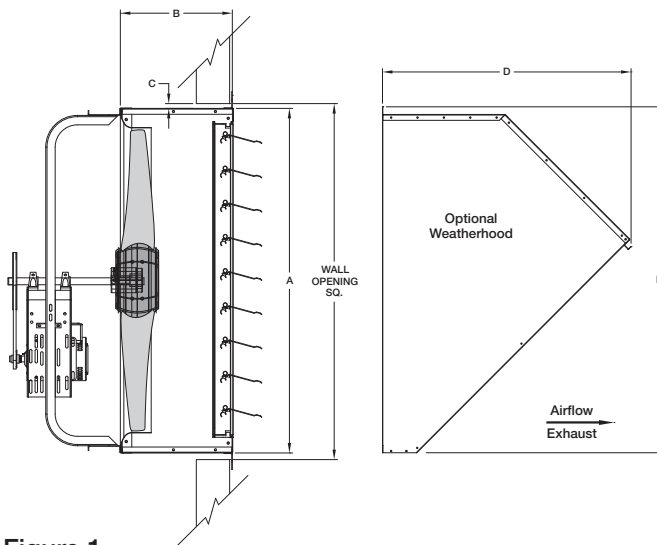


Figure 1

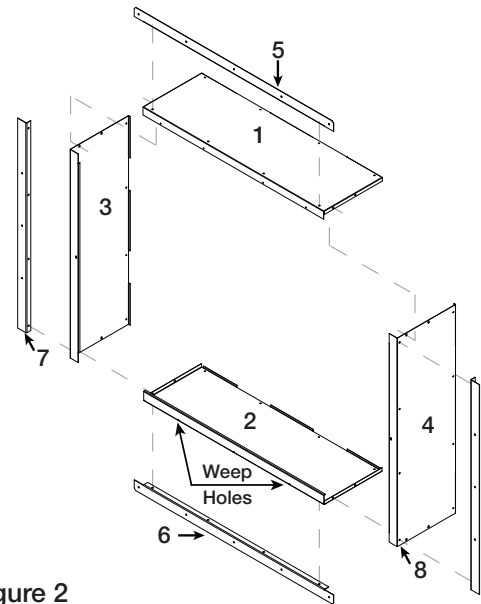


Figure 2

Size	Wall Collar				Weatherhood			Damper
	A	B*	W.O.	C	D	E	Width	
8	12 ⁷ / ₈ (327)	16 ¹ / ₈ (410)	14 ¹ / ₄ (362)	1 ¹ / ₁₆ (40)	13 ¹ / ₄ (337)	11 ¹ / ₄ (286)	10 ¹ / ₂ (267)	10 (254)
10	14 ⁷ / ₈ (378)	16 ¹ / ₈ (410)	16 ¹ / ₄ (413)	1 ¹ / ₁₆ (40)	14 ⁷ / ₈ (378)	13 ³ / ₈ (340)	12 ¹ / ₂ (318)	12 (305)
12	17 ⁷ / ₈ (454)	16 ¹ / ₈ (410)	19 ¹ / ₄ (489)	1 ¹ / ₁₆ (40)	16 ³ / ₈ (416)	15 ⁵ / ₈ (397)	14 ¹ / ₂ (368)	14 (356)
14	19 ⁷ / ₈ (505)	18 ³ / ₈ (467)	21 ¹ / ₄ (540)	1 ¹ / ₁₆ (40)	17 ¹ / ₂ (445)	17 ⁵ / ₈ (448)	16 ¹ / ₂ (419)	16 (406)
16	21 ⁷ / ₈ (556)	18 ³ / ₈ (467)	23 ¹ / ₄ (591)	1 ¹ / ₁₆ (40)	19 ³ / ₈ (492)	19 ⁵ / ₈ (498)	18 ¹ / ₂ (470)	18 (457)
18	23 ⁷ / ₈ (606)	18 ³ / ₈ (467)	25 ¹ / ₄ (641)	1 ¹ / ₁₆ (40)	22 (559)	21 ⁵ / ₈ (549)	20 ¹ / ₂ (521)	20 (508)
20	25 ⁷ / ₈ (657)	18 ³ / ₈ (467)	27 ¹ / ₄ (692)	3 (76)	24 ³ / ₄ (629)	23 ³ / ₈ (600)	22 ¹ / ₂ (572)	22 (559)
24	31 ⁷ / ₈ (810)	18 ³ / ₈ (467)	33 ³ / ₄ (857)	3 (76)	26 ⁷ / ₈ (683)	30 ³ / ₈ (772)	29 ⁵ / ₈ (740)	26 (660)
30	37 ⁷ / ₈ (962)	18 ³ / ₈ (467)	39 ³ / ₄ (1010)	3 (76)	29 ¹ / ₈ (740)	36 ¹ / ₂ (927)	35 ⁵ / ₈ (892)	32 (813)
36	43 ⁷ / ₈ (1114)	18 ³ / ₄ (476)	45 ³ / ₄ (1162)	3 (76)	33 (838)	42 ¹ / ₂ (1080)	41 ¹ / ₈ (1045)	38 (965)
42	49 ⁷ / ₈ (1127)	18 ³ / ₄ (476)	51 ³ / ₄ (1314)	3 (76)	35 ³ / ₄ (908)	48 ¹ / ₂ (1232)	47 ¹ / ₈ (1197)	44 (1118)
48	55 ⁷ / ₈ (1419)	18 ³ / ₈ (479)	57 ³ / ₄ (1467)	3 (76)	40 ³ / ₈ (1026)	54 ⁵ / ₈ (1387)	53 ³ / ₄ (1353)	50 (1270)
54	61 ⁷ / ₈ (1572)	20 ⁷ / ₈ (512)	63 ³ / ₄ (1619)	3 (76)	44 ³ / ₄ (1137)	60 ⁷ / ₈ (1546)	59 ¹ / ₂ (1511)	56 (1422)
60	67 ⁷ / ₈ (1724)	21 (533)	69 ³ / ₄ (1772)	3 (76)	48 ³ / ₈ (1229)	67 (1702)	65 ⁵ / ₈ (1667)	62 (1575)
72	81 ⁷ / ₈ (2080)	22 (559)	83 ³ / ₄ (2127)	3 (76)	53 ³ / ₄ (1353)	79 ¹ / ₂ (2019)	78 ⁵ / ₈ (1984)	74 (1880)

*All sizes except 20 and 72 are 2 in (51 mm) larger if a VCD damper is used. For complete dimensional information refer to submittal. All dimensions given in inches (mm).

Hardware

Fan Sizes 8 thru 20:

Wall Collar Assembly - Use 1/4-20 x 3/4 inch threaded cutting screws for each hole when attaching side, top and bottom panels together, see Figure 3.

Mounting Fan Panel to Wall Collar - Use 1/4-20 x 3/4 inch threaded cutting screws for attaching the fan panel to the wall mount collar, see Figure 5.

Flange to Wall Collar Mounting - Use 1/4-20 x 3/4 inch bolts, nuts and lock washers when attaching flanges to the wall mount collar, see Figure 4. (Do not use a flat washer under the bolt head for attaching flanges).

Fan Sizes 24 thru 72:

Wall Collar Assembly - Use 5/16 x 3/4 inch bolts, nuts and lock washers to attach side, top and bottom panels together, see Figure 4. (Use flat washers over slotted holes).

Mounting Fan Panel to Wall Collar - Use 5/16-18 x 1 inch thread cutting screws to attach the fan panel to the wall mount collar, see Figure 5.

Flange to Wall Collar Mounting - Use 5/16 x 1 inch bolts and washers are used to attach the mounting flanges to the wall mount collar.

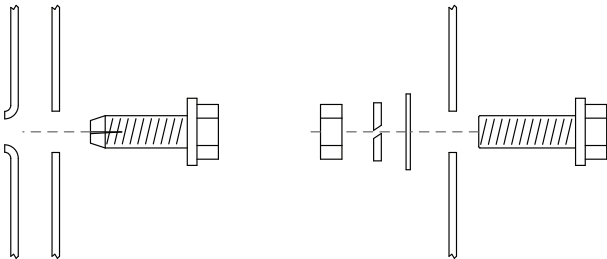


Figure 3

Figure 4

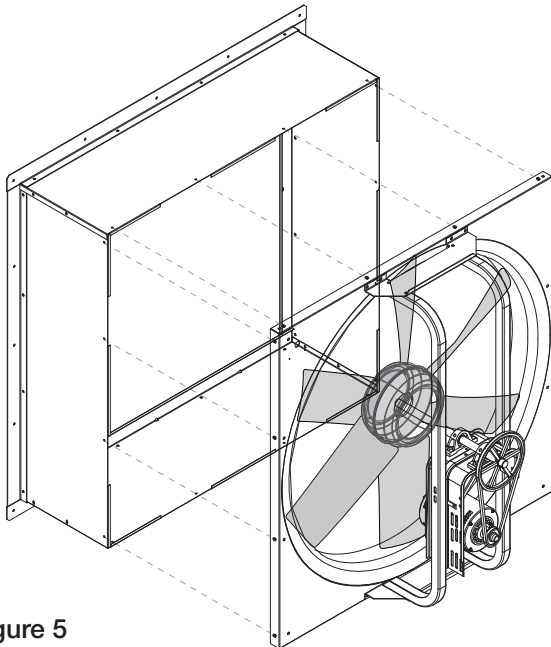


Figure 5

Assembly Instructions

1. Refer to Figure 2 and Identify all components before assembly.
2. Using specified fasteners, attach bottom panel (2) to both side panels (3 & 4). Lap the side panels over the bottom panel for waterproofing. Finger tighten.
3. Fasten both side panels (3 & 4) to the top panel (1). Lap top panel over side panels for waterproofing and fasten with specified hardware. Wide formed edges must all be on the exterior side of the wall mount collar. Finger tighten the fasteners.
4. Fasten both side flanges (7 & 8) to the side panels (3 & 4). Use specified hardware (bolts, nuts, lock washers, and flat washers) per flange and finger tighten. (Place flat washers over slotted holes).
5. Fasten both top and bottom flanges (5 & 6) to the top and bottom panels (1 & 2) using specified hardware (bolts, nuts, lock washers, and flat washers). (Place flat washers over slotted holes). Tighten all fasteners securely. The wall mount collar is now ready for installation.
6. If an optional damper is to be installed, slip the damper flange under the damper lip of the wall mount collar, see Figures 6 & 7. (If an optional damper guard or weatherhood is to be installed, see page 3). Using #12 x 3/4 inch self-drilling screws and a 5/16 inch socket on the end of a pneumatic or electric drill, run the self-drilling screws through the holes provided on the damper flange into the wall mount collar. Install additional self-drilling screws in the damper flange including both sides and the bottom. (On sizes 8 thru 20 do not use self-drilling screws on the damper lip). Check damper for freedom of movement.

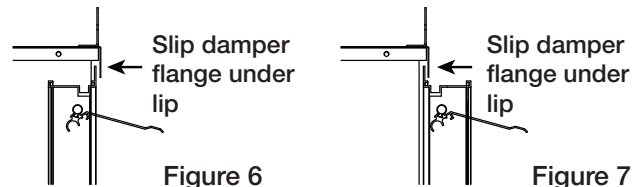


Figure 6

Figure 7

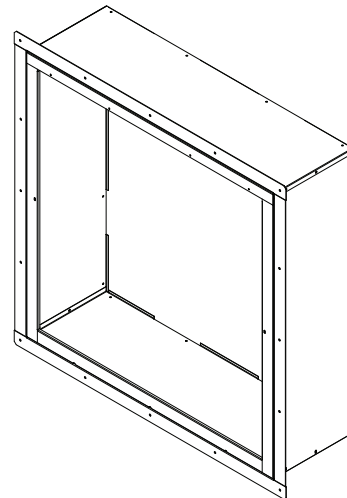


Figure 8 - Assembled Wall Mount Collar as viewed from exterior

Damper Installation

To install an optional damper, refer to Figure 9. Using a pneumatic or electric drill, run the self-drilling screws through the holes provided in the side and bottom damper flanges into the wall housing. Check damper for freedom of movement. If an optional damper guard or weatherhood is to be installed, refer to the next section.

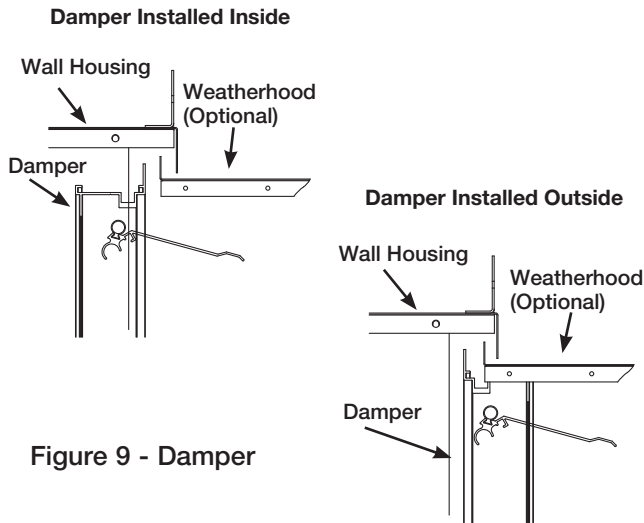


Figure 9 - Damper

Damper Guard or Weatherhood Installation

To install the damper guard, center guard over damper and fasten to wall housing using the self-drilling screws. Refer to Figure 10.

To install the weatherhood, slide the top flange of weatherhood under the flange of wall housing, see Figure 6, and fasten with self-drilling screws.

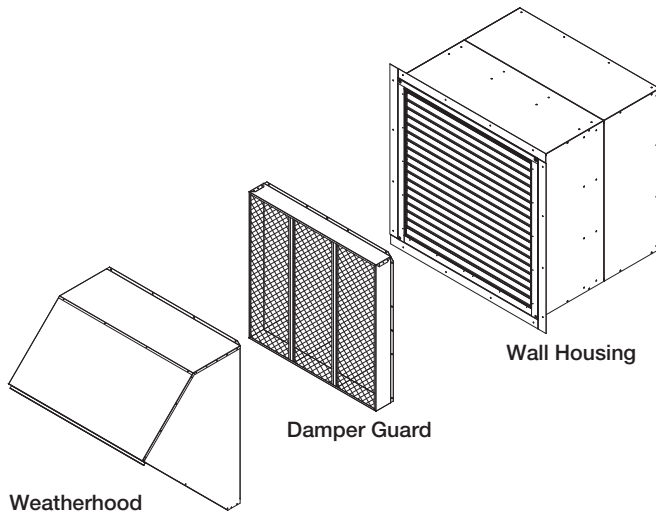


Figure 10 - Damper Guard or Weatherhood

Wall Housing Guard Installation

Attach wall housing guard to wall housing using the 1/4-20 x 3/4 thread cutting screw with washer. Refer to Figure 11.

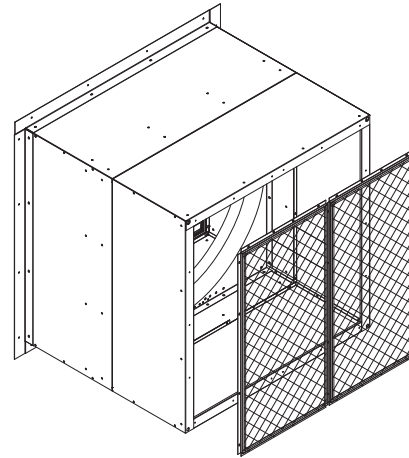


Figure 11 - Wall Housing Guard

Fit for Sidewall Propeller Fan Accessories

Figure 12 reveals the correct fit for sidewall propeller fans after all optional accessories have been assembled and installed.

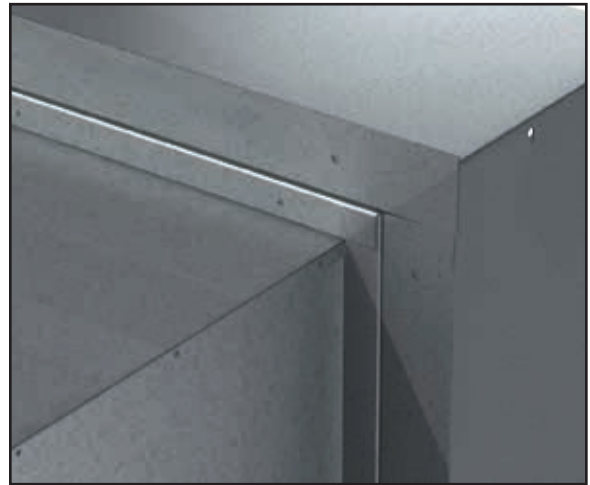


Figure 12 - Sidewall Propeller Fan Accessories

Our Commitment

As a result of our commitment to continuous improvement, Greenheck reserves the right to change specifications without notice.

Specific Greenheck product warranties are located on greenheck.com within the product area tabs and in the Library under Warranties.

Greenheck Sidewall Propeller Fans catalog provides additional information describing the equipment, fan performance, available accessories, and specification data.

AMCA Publication 410-96, Safety Practices for Users and Installers of Industrial and Commercial Fans, provides additional safety information. This publication can be obtained from AMCA International, Inc. at www.amca.org.

