



SKU
WD330-24X24

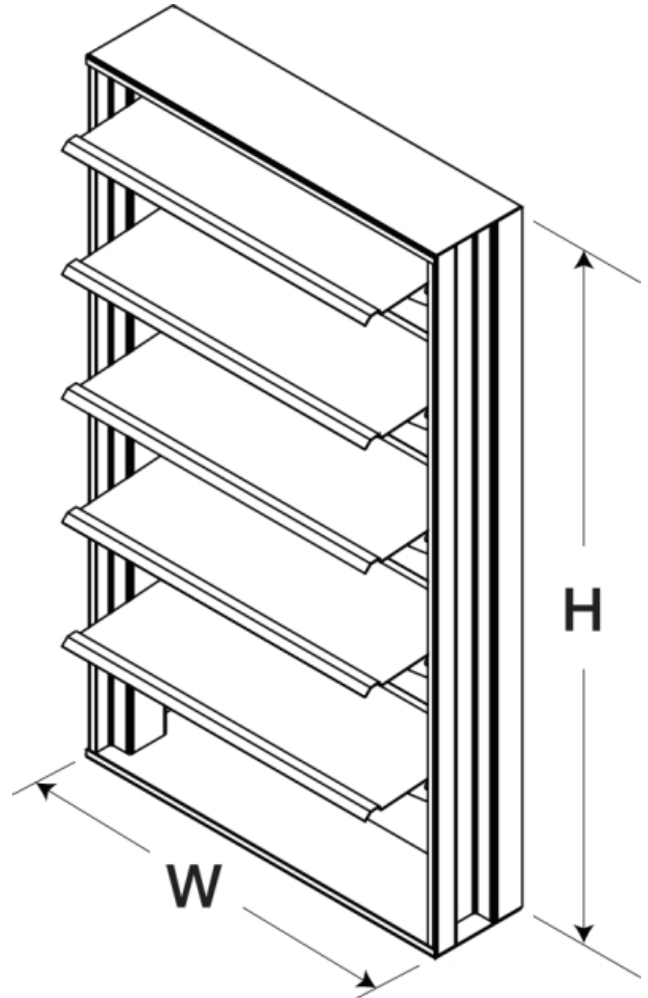
Job Name:
Mark:
Submitted By:
Date: 06/12/2026

Backdraft Damper, Vertical Mount, Product # WD330-24X24



The WD-330 series dampers are designed to prevent reverse airflow in horizontal exhaust applications. The WD-330 features a pressure sensitive blade design that opens and remains open under low velocity conditions. The dampers are opened by air pressure differential and closed by gravity. Galvanized steel, flangeless frame.

- Width and height furnished approximately 0.125 in. under size



H	W
23.875 in	23.875 in

Performance Characteristics

No Fan Curve Available.

Construction Features

Frame Material	Galvanized Steel
Frame Gauge	18
Frame Type	No Flange
Blade Material	Roll formed aluminum
Blade Gauge	0.025

California Residents

⚠ WARNING

This product can expose you to chemicals including cadmium used in the processing of corrosion resistant metal and fasteners, which is known to the State of California to cause cancer and birth defects or other reproductive harm. For more information visit www.P65Warnings.ca.gov