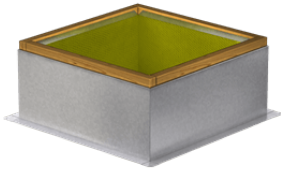




SKU
GPI-19-G24

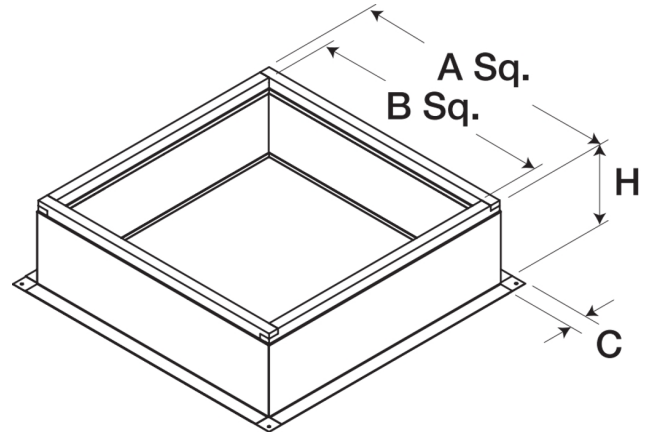
Job Name:
Mark:
Submitted By:
Date: 04/02/2026

Roof Curb for 19 In. Square Base, 24 In. High, Product # GPI-19-G24



GPI roof curbs are designed for flat, insulated or non-insulated roof decks. Constructed of 18 gauge galvanized steel and fully formed on three sides with a single, fully welded seam.

- Designed to fit 19" roof curb cap
- 2-inch mounting flange
- Rigid, fiberglass insulation
- Welded, straight-sided construction



A	B	C	H
17.5 in	14.5 in	2 in	24 in

Performance Characteristics

No Fan Curve Available.

Construction Features

Construction Material	Galvanized Steel
-----------------------	------------------

California Residents

⚠ WARNING

This product can expose you to chemicals including cadmium used in the processing of corrosion resistant metal and fasteners, which is known to the State of California to cause cancer and birth defects or other reproductive harm. For more information visit www.P65Warnings.ca.gov