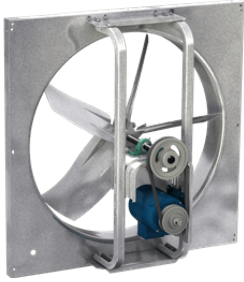




SKU
SBE-2L30-LMDX-QD

Job Name:
Mark:
Submitted By:
Date: 05/08/2026

Sidewall Propeller Exhaust Fan, Product # SBE-2L30-LMDX-QD, 7115-15720 CFM

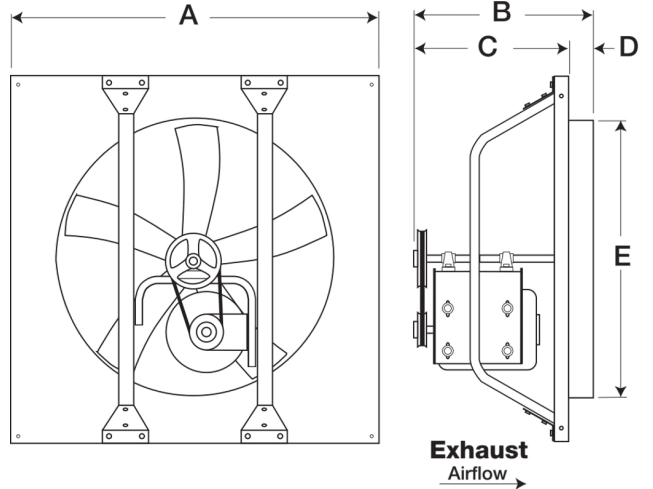


Model SBE, belt drive, sidewall propeller exhaust fans are designed for commercial and industrial applications where high volumes of air and low static pressures are required.

- 38 x 38 inch fan panel with prepunched mounting holes for easy installation and precise alignment
- 30 inch, 5-blade galvanized steel propeller
- Multiple motor and drive options available to meet any performance and application need

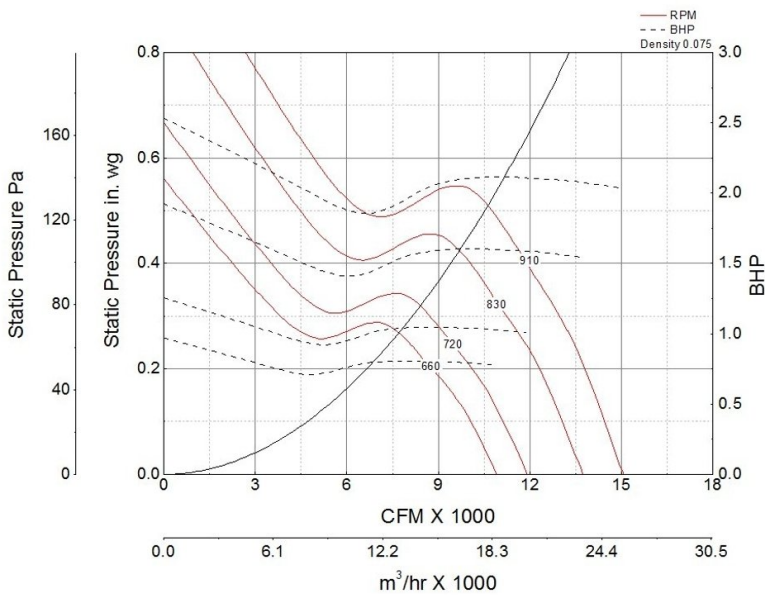
Certifications

AMCA Sound & Air
UL/cUL 705



A	B	C	D	E
38 in	21.5 in	17.25 in	1.25 in	30.625 in

Performance Characteristics



Construction Features

Housing Material	Galvanized Steel
Drive Type	Belt Drive
Impeller Type	Propeller
Impeller Material	Galvanized Steel
Certifications	AMCA Sound & Air UL/cUL 705
Drive Package Description	No drive package included

Motor Information

Motor Included	No
----------------	----

Air and Sound Performance

Motor HP	Max BHP	Max Fan RPM	Min Fan RPM	Ps (in. wg)	0	0.125	0.25	0.375	0.5
3/4	0.21	430	400	CFM	7,115	-	-	-	-
				Sones	10.4	-	-	-	-
3/4	0.42	530	430	CFM	8,770	7,125	-	-	-
				Sones	13.2	12.4	-	-	-
3/4	0.81	660	530	CFM	10,921	9,788	7,992	-	-
				Sones	17.8	16.9	16.3	-	-
1	0.54	580	470	CFM	9,597	8,203	-	-	-
				Sones	14.9	14.1	-	-	-
1	1.04	720	580	CFM	11,914	10,898	9,418	-	-
				Sones	20	19.2	18.7	-	-
1 1/2	0.44	540	450	CFM	8,935	7,344	-	-	-
				Sones	13.5	12.7	-	-	-
1 1/2	0.84	670	540	CFM	11,087	9,974	8,275	-	-
				Sones	18.1	17.2	16.7	-	-
1 1/2	1.60	830	670	CFM	13,734	12,893	11,808	10,353	-
				Sones	25	24	24	23	-
2	2.11	910	720	CFM	15,058	14,291	13,405	12,165	10,632
				Sones	29	29	28	27	27
3	2.41	950	770	CFM	15,720	14,985	14,152	13,039	11,760
				Sones	32	31	31	30	29



- Greenheck Fan Corporation certifies that the model shown herein is licensed to bear the AMCA seal. The ratings shown are based on tests and procedures performed in accordance with AMCA Publication 211 and AMCA Publication 311 and comply with the requirements of the AMCA Certified Ratings Program.
- Performance certified is for installation type A: Free inlet, Free outlet.
- Power rating (Bhp/kW) includes transmission losses.
- Performance ratings do not include the effects of appurtenances (accessories).
- The sound ratings shown are loudness values in fan sones at 5 ft. (1.5 m) in a hemispherical free field calculated per AMCA Standard 301. Values shown are for installation type A: free inlet hemispherical sone levels.

California Residents

 **WARNING**

WARNING

This product can expose you to chemicals including cadmium used in the processing of corrosion resistant metal and fasteners, which is known to the State of California to cause cancer and birth defects or other reproductive harm. For more information visit www.P65Warnings.ca.gov