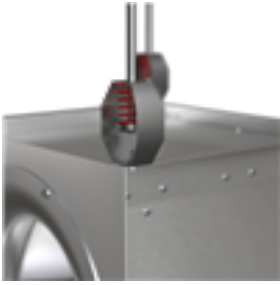
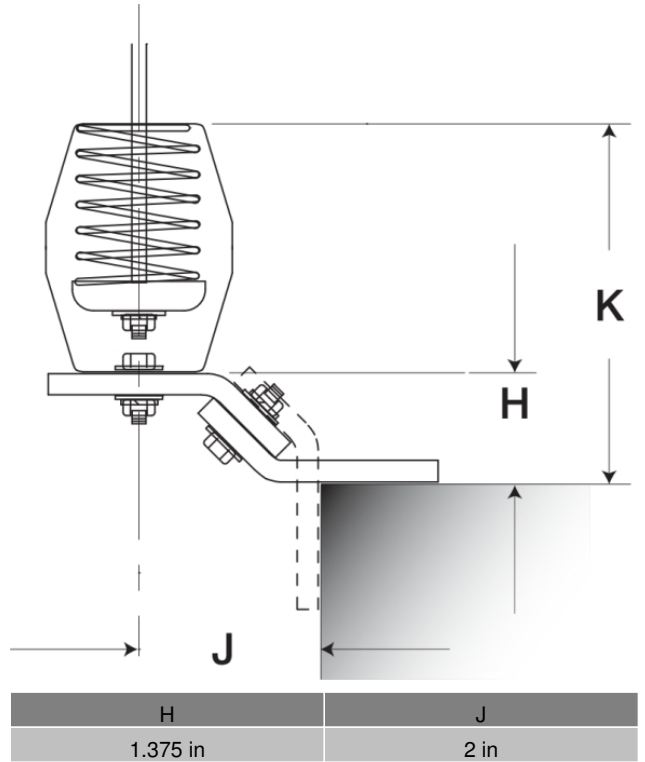


Vibration Isolation Kit, Spring Hanging, SH-1-125, Gray, Product # 850345



Complete hanging isolation kit with spring isolators to reduce vibration and sound levels. Support brackets included are designed to permit mounting of the fan with the motor located on top, bottom or side. Includes Brackets, Springs, Isolator Cap, Isolator Hanger & Washer, IOM, and Hardware.



Performance Characteristics

No Fan Curve Available.

California Residents

⚠ WARNING

This product can expose you to chemicals including cadmium used in the processing of corrosion resistant metal and fasteners, which is known to the State of California to cause cancer and birth defects or other reproductive harm. For more information visit www.P65Warnings.ca.gov