



SKU
CUE-080-1VG119XQD

Job Name:
Mark:
Submitted By:
Date: 06/10/2026

Centrifugal Upblast Exhaust Fan, Product # CUE-080-1VG119XQD, 133-534 CFM

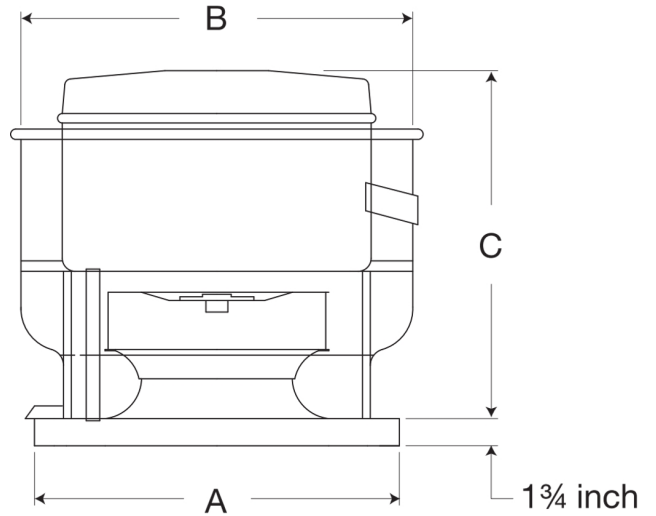


Model CUE is a direct drive exhaust fan specifically designed for roof or sidewall mounted applications discharging the air directly upward, away from the roof or wall surface. The fans feature a one piece windband continuously welded to curb cap and double studded isolators for true vibration isolation.

- 19 x 19 inch base with prepunched mounting holes for easy attachment to roof curb
- Energy-efficient, speed controllable, Vari-green® motor
- Roof or wall mountable

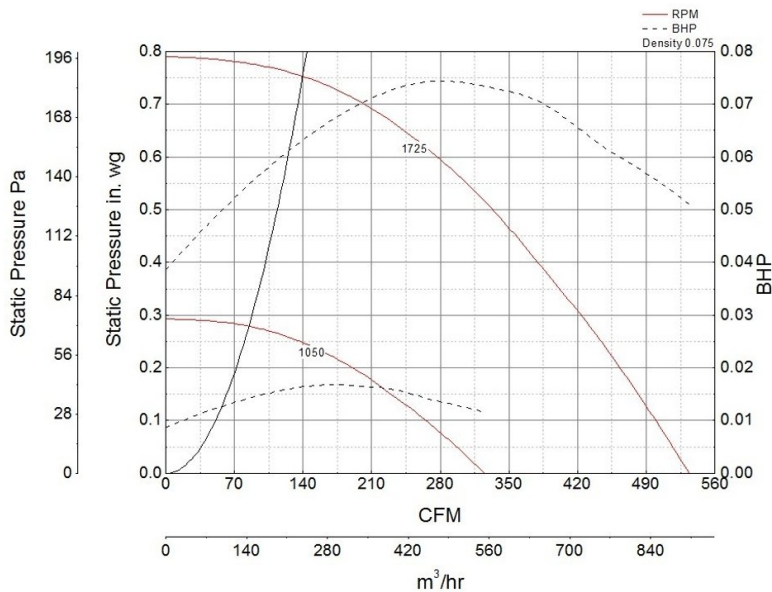
Certifications

AMCA Sound & Air
UL/cUL 705



A	B	C
19 in	21 in	13.375 in

Performance Characteristics



Construction Features

Housing Material	Spun Aluminum
Drive Type	Direct Drive
Impeller Type	Centrifugal Wheel
Impeller Material	Composite
Includes	Motor mounted potentiometer
Certifications	AMCA Sound & Air UL/cUL 705
Speed Controllable	Yes
Required Accessory	Roof curb for new roof installations

Motor Information

Motor Insulation	B
Motor Phase	1
Motor Type	BrushlessDC
Service Factor	1
Voltage	115
	208
	230
	277
HP	1/10
Hertz	60
Motor Enclosure	n/a
RPM	1800
Thermal Protection	AutoOverload
Nominal Efficiency	85

Air and Sound Performance

Motor HP	Max BHP	Max Fan RPM	Min Fan RPM	Ps (in. wg)	0	0.125	0.25	0.375	0.5	0.625
1/10	0.07	1725	1050	CFM	534	491	444	390	333	257
				Sones	8.4	8.5	8.6	8.6	8.7	8.7



- Greenheck Fan Corporation certifies that the model shown herein is licensed to bear the AMCA Seal. The ratings shown are based on tests and procedures performed in accordance with AMCA Publication 211 and AMCA Publication 311 and comply with the requirements of the AMCA Certified Ratings Program.
- Performance certified is for installation type A: Free inlet, Free outlet.
- Power rating (BHP/kW) does not include transmission losses.
- Performance ratings do not include the effects of appurtenances (accessories).
- The sound ratings shown are loudness values in fan sones at 5 ft. (1.5 m) in a hemispherical free field calculated per AMCA Standard 301. Values shown are for installation type A: free inlet hemispherical sone levels.

California Residents

 **WARNING**

This product can expose you to chemicals including cadmium used in the processing of corrosion resistant metal and fasteners, which is known to the State of California to cause cancer and birth defects or other reproductive harm. For more information visit www.P65Warnings.ca.gov