



SKU  
GB-180-LMD130XQD

Job Name:  
Mark:  
Submitted By:  
Date: 06/09/2026

# Centrifugal Downblast Exhaust Fan, Product # GB-180-LMD130XQD, 1371-5677 CFM

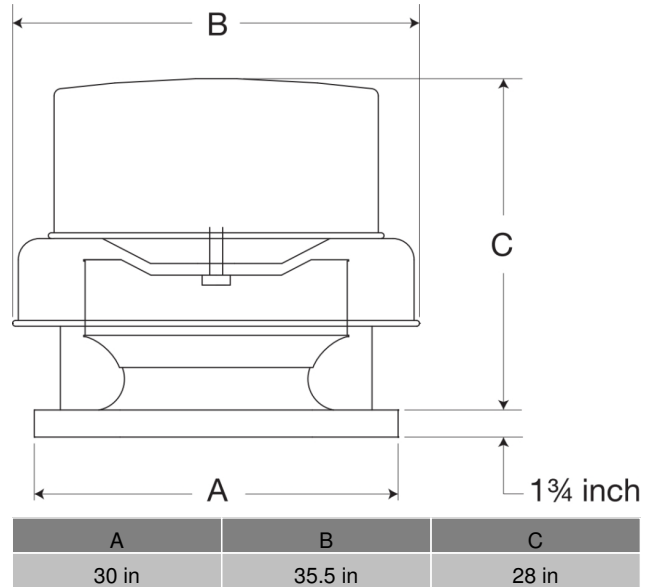


Model GB, belt drive centrifugal roof exhaust fans are designed to meet the general clean air exhaust requirements for industrial and commercial buildings. Units feature a fully rolled windband bead for increased stability and easy transport. Fresh outside air is drawn in under the motor cover to maximize motor life.

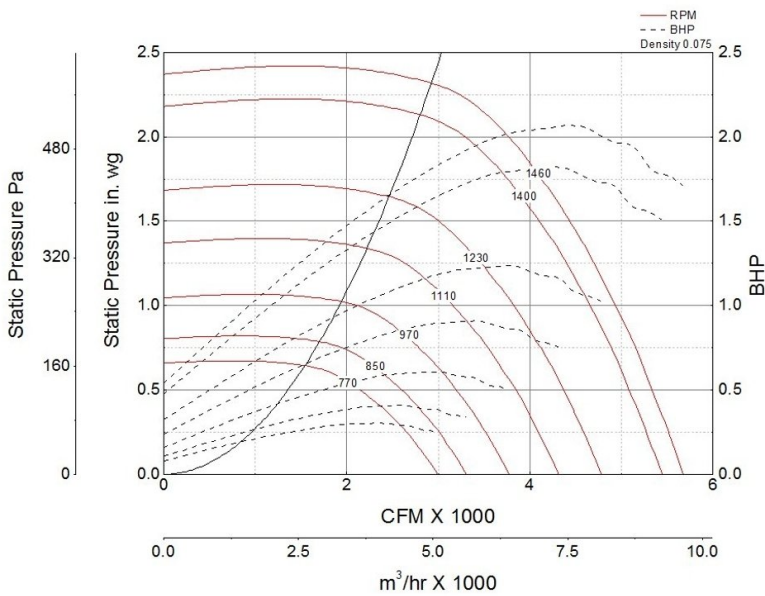
- 30 x 30 inch base with prepunched mounting holes for easy attachment to roof curb
- Multiple motor and drive options available to meet any performance and application need
- 26.5 x 26.5 inch recommended roof opening

### Certifications

AMCA Sound & Air  
High Wind and Hurricane  
Seismic  
UL/cUL 705



### Performance Characteristics



### Construction Features

Housing Material	Spun Aluminum
Drive Type	Belt Drive
Impeller Type	Centrifugal Wheel
Impeller Material	Aluminum
Certifications	AMCA Sound & Air High Wind and Hurricane Seismic UL/cUL 705
Drive Package Description	No drive package included
Required Accessory	Roof curb for new installations

### Motor Information

Motor Included	No
----------------	----

# Air and Sound Performance

Motor HP	Max BHP	Max Fan RPM	Min Fan RPM	Ps (in. wg)	0	0.125	0.25	0.375	0.5	0.625	0.75	0.875	1	1.25	1.5	1.75	2	2.25
1/4	0.16	620	500	CFM	2,411	2,207	1,936	1,527	-	-	-	-	-	-	-	-	-	-
				Sones	5.9	6.9	6.8	5.5	-	-	-	-	-	-	-	-	-	-
1/4	0.30	770	620	CFM	2,994	2,833	2,652	2,427	2,139	1,701	-	-	-	-	-	-	-	-
				Sones	8.2	9.5	7.9	8.2	7.6	6.6	-	-	-	-	-	-	-	-
1/3	0.21	680	550	CFM	2,644	2,460	2,232	1,934	1,371	-	-	-	-	-	-	-	-	-
				Sones	6.8	8.1	6.7	6.9	5.3	-	-	-	-	-	-	-	-	-
1/3	0.40	850	680	CFM	3,305	3,161	3,007	2,816	2,593	2,323	1,929	-	-	-	-	-	-	-
				Sones	10	10.7	9.7	9.2	9.7	8.7	7.9	-	-	-	-	-	-	-
1/2	0.16	630	510	CFM	2,450	2,249	1,989	1,612	-	-	-	-	-	-	-	-	-	-
				Sones	6	7.1	6.8	5.8	-	-	-	-	-	-	-	-	-	-
1/2	0.31	780	630	CFM	3,033	2,874	2,697	2,478	2,201	1,796	-	-	-	-	-	-	-	-
				Sones	8.4	9.6	8.2	8.2	7.8	6.9	-	-	-	-	-	-	-	-
1/2	0.60	970	780	CFM	3,772	3,648	3,513	3,370	3,196	3,005	2,787	2,522	2,083	-	-	-	-	-
				Sones	14	13.9	13.1	12.5	12.2	11.6	11.4	10.9	10.2	-	-	-	-	-
3/4	0.46	890	730	CFM	3,461	3,324	3,177	3,005	2,807	2,569	2,271	-	-	-	-	-	-	-
				Sones	11.2	11.6	10.8	10.1	10.1	9.6	9.1	-	-	-	-	-	-	-
3/4	0.90	1110	890	CFM	4,316	4,209	4,093	3,975	3,846	3,695	3,538	3,353	3,156	2,600	-	-	-	-
				Sones	17.5	17	16.4	15.8	15.4	15.1	14.6	14.2	13.9	13	-	-	-	-
1	0.64	990	850	CFM	3,850	3,728	3,597	3,459	3,292	3,112	2,898	2,650	2,301	-	-	-	-	-
				Sones	14.9	14.6	13.7	13.2	12.8	12.2	11.9	11.5	11	-	-	-	-	-
1	1.23	1230	990	CFM	4,783	4,686	4,584	4,478	4,371	4,250	4,114	3,973	3,818	3,460	2,969	-	-	-
				Sones	20	19.6	19.1	18.6	18.2	17.9	17.6	17.3	17	16.3	15.5	-	-	-
1 1/2	0.93	1120	920	CFM	4,355	4,249	4,134	4,017	3,891	3,743	3,587	3,407	3,217	2,686	-	-	-	-
				Sones	17.8	17.2	16.6	16	15.7	15.3	14.9	14.4	14.1	13.3	-	-	-	-
1 1/2	1.81	1400	1120	CFM	5,444	5,359	5,273	5,180	5,086	4,992	4,892	4,777	4,655	4,401	4,097	3,747	3,253	-
				Sones	25	24	23	23	22	22	22	22	21	21	21	20	19.6	-
2	1.06	1170	1070	CFM	4,549	4,448	4,339	4,227	4,114	3,977	3,829	3,675	3,493	3,082	-	-	-	-
				Sones	18.9	18.3	17.7	17.2	16.9	16.5	16.2	15.8	15.4	14.7	-	-	-	-
2	2.05	1460	1170	CFM	5,677	5,596	5,514	5,425	5,336	5,246	5,155	5,049	4,938	4,699	4,426	4,123	3,765	3,210
				Sones	27	26	25	24	24	24	24	23	23	23	22	22	22	22



- Greenheck Fan Corporation certifies that the model shown herein is licensed to bear the AMCA Seal. The ratings shown are based on tests and procedures performed in accordance with AMCA Publication 211 and AMCA Publication 311 and comply with the requirements of the AMCA Certified Ratings Program.
- Performance certified is for installation type A: Free inlet, Free outlet.
- Power rating (BHP/kW) includes transmission losses.
- Performance ratings include the effects of birdscreen.
- The sound ratings shown are loudness values in fan sones at 5 ft. (1.5 m) in a hemispherical free field calculated per AMCA Standard 301. Values shown are for installation type A: free inlet hemispherical sone levels.

## California Residents

### WARNING

This product can expose you to chemicals including cadmium used in the processing of corrosion resistant metal and fasteners, which is known to the State of California to cause cancer and birth defects or other reproductive harm. For more information visit [www.P65Warnings.ca.gov](http://www.P65Warnings.ca.gov)

### WARNING