



SKU  
SP-C50-QD

Job Name:  
Mark:  
Submitted By:  
Date: 05/05/2026

## Bathroom Exhaust Fan, Product # SP-C50-QD, 29-52 CFM

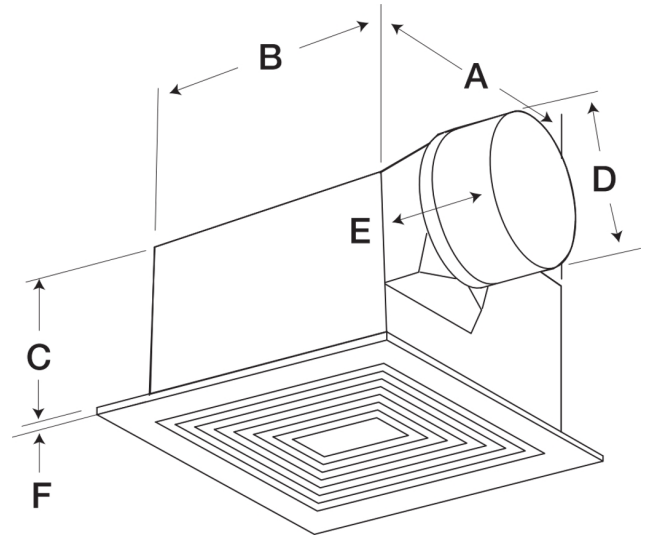


Low profile bathroom exhaust fan, Model SP-C features a forward-curved wheel for low sound and high efficiency. Units are ideal for residential, multi-family or hotel applications.

- Compact size for height restricted areas
- Round standard outlet for quick, easy connections
- Integral damper prevents unwanted backdrafts
- Speed controllable
- Designer grille included

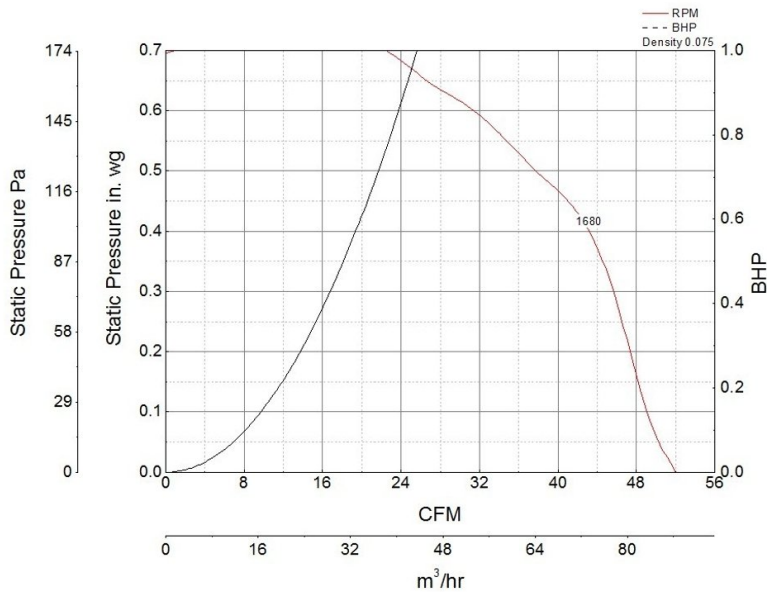
### Certifications

AMCA Air & Sound  
UL/cUL 507



A	B	C	D	E	F
7.5 in	7.5 in	3.625 in	3 in	1.625 in	0.5 in

### Performance Characteristics



### Construction Features

Housing Material	Galvanized Steel
Drive Type	Direct Drive
Impeller Type	Centrifugal Wheel
Impeller Material	Polypropylene
Includes	Backdraft damper Mounting brackets
Certifications	AMCA Air & Sound UL/cUL 507
Speed Controllable	Yes

### Motor Information

Motor Phase	1
Voltage	115
Watts	46

### Air and Sound Performance

Watts	Max Fan RPM	Min Fan RPM	Ps (in. wg)	0	0.125	0.25	0.375	0.5	0.625
46	1680	1344	CFM	52	49	47	44	38	29
			Sones	3	3	3	3.5	4	4



- Greenheck Fan Corporation certifies that the SP models shown herein are licensed to bear the AMCA seal.
- The ratings shown are based on tests and procedures performed in accordance with AMCA Publication 211 and AMCA Publication 311 and comply with the requirements of the AMCA Certified Ratings Program.
- The SP models are not AMCA certified with 50 hertz motors.

## California Residents

 **WARNING**

This product can expose you to chemicals including cadmium used in the processing of corrosion resistant metal and fasteners, which is known to the State of California to cause cancer and birth defects or other reproductive harm. For more information visit [www.P65Warnings.ca.gov](http://www.P65Warnings.ca.gov)