



SKU
CUBE-240-LMD134GQD

Job Name:
Mark:
Submitted By:
Date: 04/04/2026

Centrifugal Upblast Exhaust Fan, Product # CUBE-240-LMD134GQD, 2639-8431 CFM



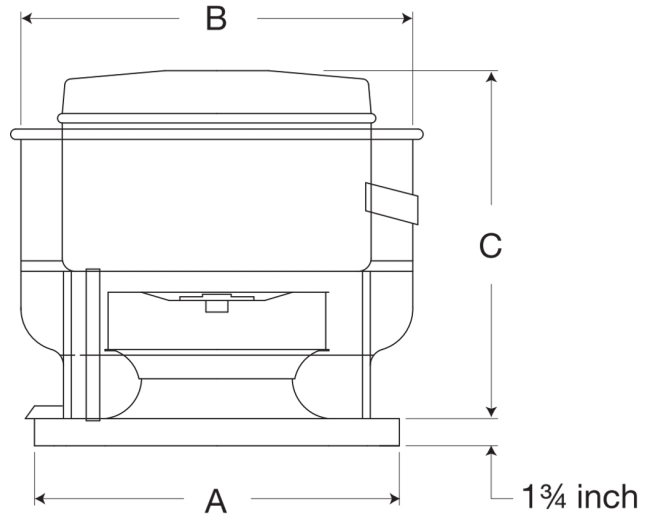
The CUBE is an aluminum exhaust fan specifically designed for roof or sidewall mounted applications where contaminated or grease laden exhaust air can be discharged directly upward, away from the roof or wall surface. The fans feature a one piece windband continuously welded to curb cap and double studded isolators for true vibration isolation.

- 34 x 34 inch base with prepunched mounting holes for easy attachment to roof curb
- Multiple motor and drive options available to meet any performance and application need
- 30.5 x 30.5 inch recommended roof opening

Certifications

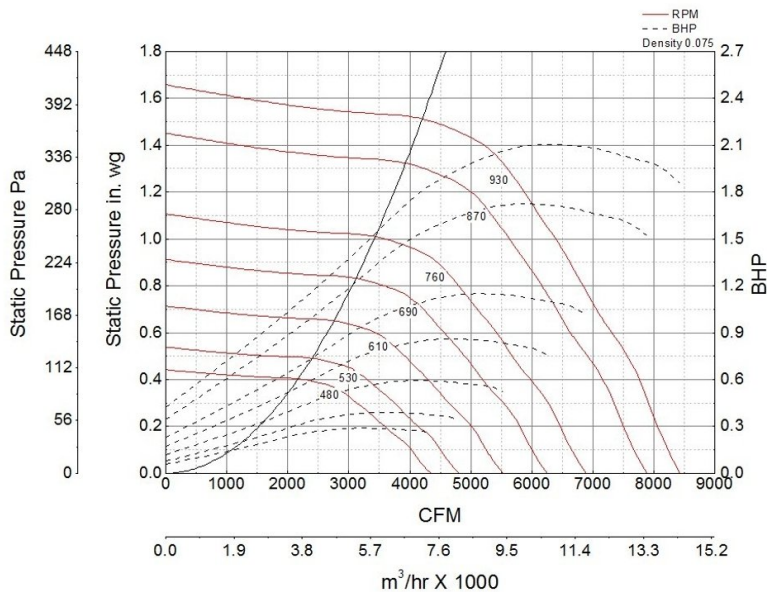
AMCA Sound & Air

UL/cUL 705 Listed - Supplement SC - "Power Ventilators for Restaurant Exh. Appliances" (Formerly UL 762)



A	B	C
34 in	42.75 in	33.875 in

Performance Characteristics



Note: The maximum FRPM for each motor horsepower is shown. For additional performance ranges available for this fan, refer to the performance table.

Construction Features

Housing Material	Spun Aluminum
Drive Type	Belt Drive
Impeller Type	Centrifugal Wheel
Impeller Material	Aluminum
Includes	Disconnect switch
Certifications	AMCA Sound & Air UL/cUL 705 Listed - Supplement SC - "Power Ventilators for Restaurant Exh. Appliances" (Formerly UL 762)
Drive Package Description	No drive package included
Required Accessory	Roof curb for new roof installations

Motor Information

Motor Included	No
----------------	----

Air and Sound Performance

Motor HP	Max BHP	Max Fan RPM	Min Fan RPM	Ps (in. wg)	0	0.125	0.25	0.375	0.5	0.625	0.75	0.875	1	1.25	1.5
1/4	0.29	480	410	CFM	4,352	3,928	3,370	2,639	-	-	-	-	-	-	-
				Sones	8.2	7.4	6.8	6.4	-	-	-	-	-	-	-
1/3	0.21	430	410	CFM	3,898	3,389	2,742	-	-	-	-	-	-	-	-
				Sones	6.9	6.3	5.8	-	-	-	-	-	-	-	-
1/3	0.39	530	430	CFM	4,805	4,436	3,938	3,403	-	-	-	-	-	-	-
				Sones	9.6	8.8	8	7.5	-	-	-	-	-	-	-
1/2	0.31	490	410	CFM	4,442	4,034	3,491	2,859	-	-	-	-	-	-	-
				Sones	8.4	7.7	7	6.6	-	-	-	-	-	-	-
1/2	0.59	610	490	CFM	5,530	5,198	4,814	4,388	3,902	3,156	-	-	-	-	-
				Sones	12.3	11.4	10.7	9.9	9.3	8.8	-	-	-	-	-
3/4	0.46	560	480	CFM	5,077	4,723	4,265	3,787	3,181	-	-	-	-	-	-
				Sones	10.7	9.7	8.8	8.3	7.8	-	-	-	-	-	-
3/4	0.86	690	560	CFM	6,255	5,950	5,673	5,269	4,901	4,469	3,991	-	-	-	-
				Sones	15.2	14.3	13.9	13.4	12.6	11.9	11.4	-	-	-	-
1	1.15	760	610	CFM	6,890	6,603	6,373	6,037	5,684	5,342	4,951	4,526	3,555	-	-
				Sones	17.8	17	16.7	16.4	16	15.1	14.5	14	13.6	-	-
1 1/2	0.90	700	600	CFM	6,346	6,044	5,779	5,377	5,018	4,601	4,141	-	-	-	-
				Sones	15.5	14.7	14.3	13.8	13.1	12.4	11.8	-	-	-	-
1 1/2	1.72	870	700	CFM	7,887	7,634	7,420	7,211	6,888	6,577	6,288	5,965	5,616	4,670	-
				Sones	21	20	19.9	19.5	18.9	18.1	17.6	17	16.6	16.1	-
2	1.10	750	690	CFM	6,799	6,510	6,277	5,928	5,575	5,221	4,818	4,388	-	-	-
				Sones	17.5	16.7	16.4	16.1	15.6	14.7	14.1	13.6	-	-	-
2	2.10	930	750	CFM	8,431	8,194	7,985	7,798	7,536	7,233	6,953	6,683	6,375	5,706	4,324
				Sones	24	23	23	23	22	21	20	19.6	19	18.2	18



- Greenheck Fan Corporation certifies that the model shown herein is licensed to bear the AMCA Seal.
- The ratings shown are based on tests and procedures performed in accordance with AMCA Publication 211 and AMCA Publication 311 and comply with the requirements of the AMCA Certified Ratings Program.
- Performance certified is for installation type A: Free inlet, Free outlet.
- Power rating (BHP/kW) includes transmission losses.
- Performance ratings do not include the effects of appurtenances (accessories).
- The sound ratings shown are loudness values in fan sones at 5 ft. (1.5 m) in a hemispherical free field calculated per AMCA Standard 301. Values shown are for installation type A: free inlet hemispherical sone levels.

California Residents

⚠ WARNING

⚠ WARNING

This product can expose you to chemicals including cadmium used in the processing of corrosion resistant metal and fasteners, which is known to the State of California to cause cancer and birth defects or other reproductive harm. For more information visit www.P65Warnings.ca.gov