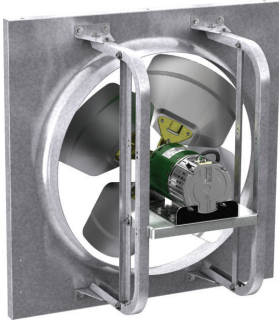




SKU  
SE1-16-428-A5X-QD

Job Name:  
Mark:  
Submitted By:  
Date: 05/10/2026

## Sidewall Propeller Exhaust Fan, Product # SE1-16-428-A5X-QD, 1666-3373 CFM

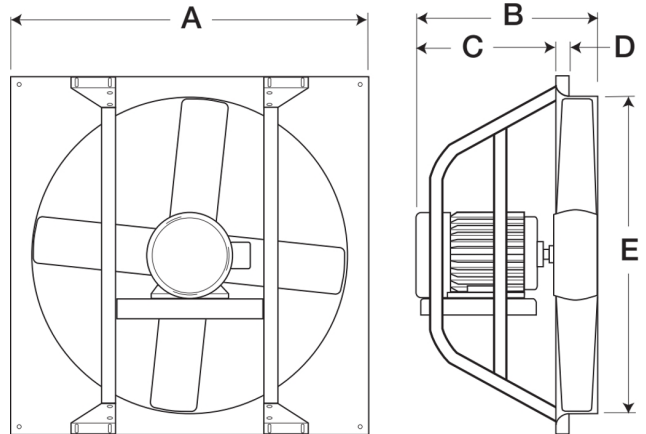


Model SE1, direct drive, sidewall propeller exhaust fans provide general ventilation in commercial and industrial applications. Units feature corrosion resistant aluminum propellers and are ideal for quietly exhausting air in schools, storage facilities, and manufacturing and assembly areas.

- Speed controllable, with up to 30% turndown
- 16 inch aluminum propeller offering superior corrosion resistance
- 22 x 22 inch fan panel with prepunched mounting holes for easy installation and precise alignment

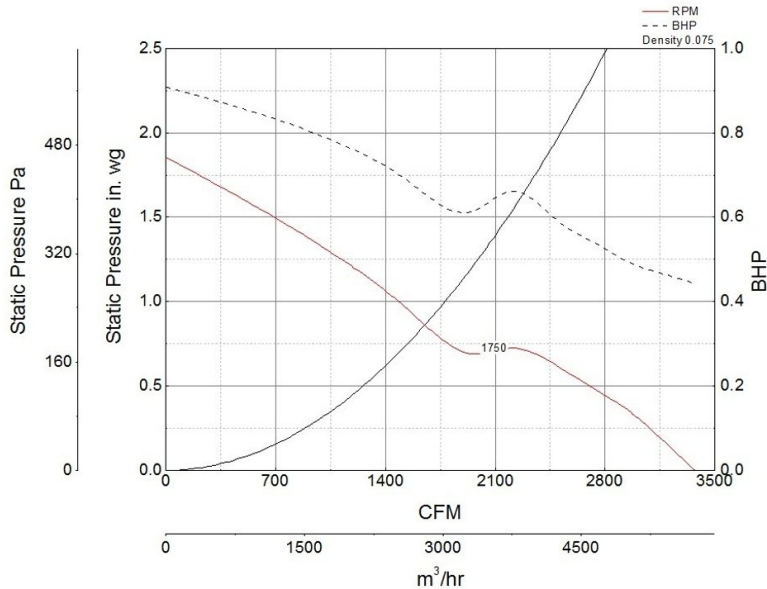
### Certifications

AMCA Sound & Air  
UL/cUL 705



A	B	C	D	E
22 in	11.75 in	8.875 in	1 in	16.375 in

### Performance Characteristics



### Construction Features

Housing Material	Galvanized Steel
Drive Type	Direct Drive
Impeller Type	Propeller
Impeller Material	Aluminum
Certifications	AMCA Sound & Air UL/cUL 705
Speed Controllable	Yes

### Motor Information

Motor Insulation	B
Motor Phase	1
Motor Type	NEMA
Service Factor	1
Voltage	115/230
HP	1/2
Hertz	60
Motor Enclosure	Open Drip Proof
RPM	1800
Thermal Protection	AutoOverload
Nominal Efficiency	70

### Air and Sound Performance

Motor HP	Max BHP	Max Fan RPM	Min Fan RPM	Ps (in. wg)	0	0.125	0.25	0.375	0.5	0.75	0.875	1
1/2	0.66	1750	0	CFM	3,373	3,228	3,079	2,908	2,701	2,468	1,862	1,666
				Sones	15.3	14.7	14.8	14.7	15.3	16.6	14.8	14.2



- Greenheck Fan Corporation certifies that the model shown herein is licensed to bear the AMCA seal. The ratings shown are based on tests and procedures performed in accordance with AMCA Publication 211 and AMCA Publication 311 and comply with the requirements of the AMCA Certified Ratings Program.
- Performance certified is for installation type A: Free inlet, Free outlet.
- Power rating (Bhp/kW) does not include transmission losses.
- Performance ratings do not include the effects of appurtenances (accessories).
- The sound ratings shown are loudness values in fan sones at 5 ft. (1.5 m) in a hemispherical free field calculated per AMCA Standard 301. Values shown are for installation type A: free inlet hemispherical sone levels.

## California Residents

 **WARNING**

This product can expose you to chemicals including cadmium used in the processing of corrosion resistant metal and fasteners, which is known to the State of California to cause cancer and birth defects or other reproductive harm. For more information visit [www.P65Warnings.ca.gov](http://www.P65Warnings.ca.gov)