



SKU
SQ-12-M2-VG-XQDA

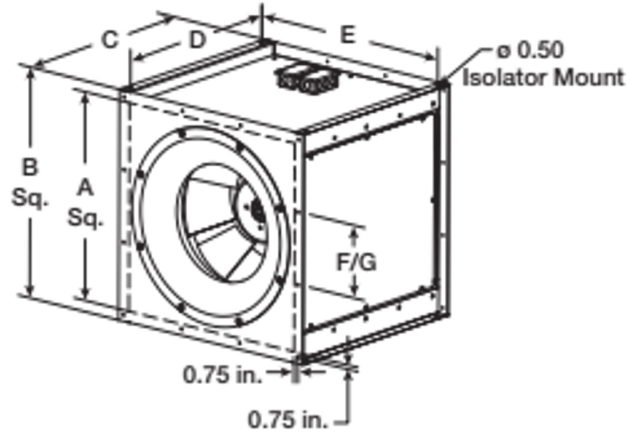
Job Name:
Mark:
Submitted By:
Date: 05/25/2026

Mixed Flow Inline Fan, Product # SQ-12-M2-VG-XQDA, 720-2475 CFM



Model SQ, direct drive centrifugal inline fans feature a unique combination of installation flexibility, rugged construction, ease of service, high efficiency and low sound levels. These compact fans are ideal for indoor clean air applications including exhaust, return or make-up where space is a prime consideration.

- Removable access panels permit easy access to interior components for cleaning and servicing
- Compact, energy efficient mixed flow fan with low sound levels
- Integral isolator rails, external wiring, and totally enclosed motors for ease of installation and service
- Vari-Green motor with speed dial on fan housing for maximum controllability
- Wired for single phase 115v from factory, easily transitioned to single phase 208-230, 277v in the field

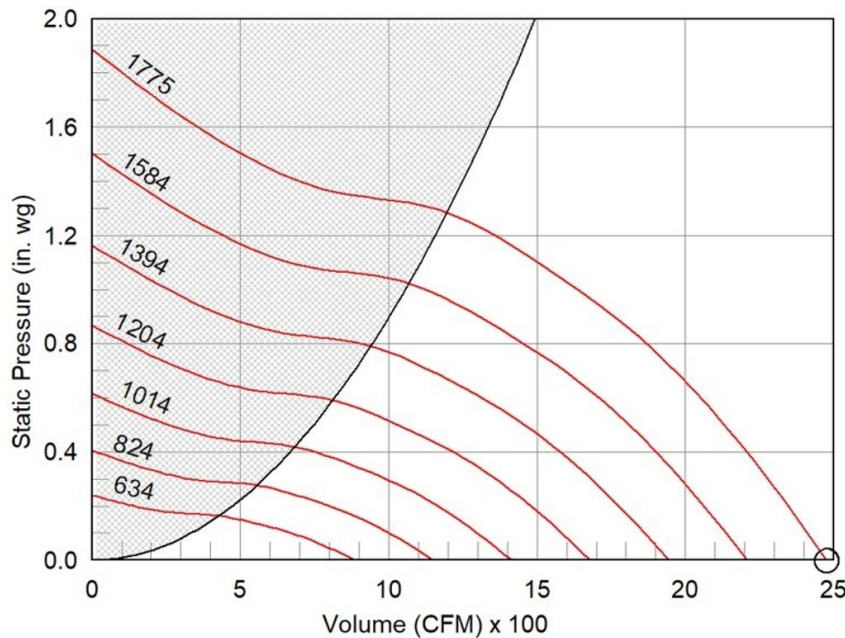


| A | B | C | D | E | F | G |
|----------|----------|-------|---------|-------|----------|------|
| 18.25 in | 21.25 in | 20 in | 17.5 in | 20 in | 9.875 in | 3 in |

Certifications

AMCA Sound & Air Performance
UL/cUL 705

Performance Characteristics



Construction Features

| | |
|--------------------|--|
| Housing Material | Galvanized Steel |
| Drive Type | Direct Drive |
| Impeller Type | Mixed Flow Wheel |
| Impeller Material | Aluminum |
| Includes | Access Panel |
| Certifications | AMCA Sound & Air Performance UL/cUL 705 |
| Speed Controllable | Yes |

Motor Information

| | |
|-----------------|-----------------------------------|
| Motor Phase | 1 |
| Motor Type | NEMA |
| Voltage | 115/208-230 277 |
| HP | 1 |
| Hertz | 60 |
| Motor Enclosure | Totally Enclosed Nonventilated |
| RPM | 1775 |
| Motor Included | Yes |



- Greenheck Fan Corporation certifies that the model shown herein is licensed to bear the AMCA Seal. The ratings shown are based on tests and procedures performed in accordance with AMCA Publication 211 and AMCA Publication 311 and comply with the requirements of the AMCA Certified Ratings Program.
- Performance certified is for installation type B: Free inlet, Ducted outlet.
- Power rating (BHP/kW) does not include transmission losses.
- Performance ratings do not include the effects of appurtenances (accessories).
- The inlet sound ratings shown are loudness values in fan sones at 5 ft. (1.5 m) in a hemispherical free field calculated per AMCA Standard 301. Values shown are for installation type B: free inlet hemispherical sone levels.

California Residents

 **WARNING**

This product can expose you to chemicals including cadmium used in the processing of corrosion resistant metal and fasteners, which is known to the State of California to cause cancer and birth defects or other reproductive harm. For more information visit www.P65Warnings.ca.gov