



SKU  
K SQ-12-M1-VG-XQDA

Job Name:  
Mark:  
Submitted By:  
Date: 05/24/2026

## Mixed Flow Supply Fan, Product # K SQ-12-M1-VG-XQDA

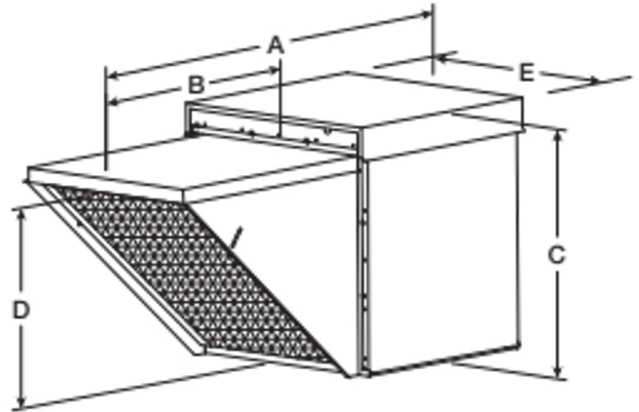


Model K SQ is a filtered supply fan designed to provide non-tempered make-up air to commercial or industrial buildings, including commercial kitchen applications. Fresh outdoor air is supplied to replace air lost through hood exhaust or general building ventilation.

- Permanent washable aluminum filters allow for many years of reliable use
- 19.75 x 18.25 base with prepunched mounting holes for easy attachment to roof curb
- 16.75 x 15.25 inch recommended roof opening

### Certifications

UL/cUL 705  
AMCA licensed for FEI, Air & Sound Performance



A	B	C	D	E
43.5 in	22.5 in	23.25 in	18.25 in	22.125 in

### Performance Characteristics

No Fan Curve Available.

### Construction Features

Housing Material	Galvanized Steel
Drive Type	Direct Drive
Impeller Type	Mixed Flow Wheel
Impeller Material	Composite
Includes	Access Panels Disconnect switch Speed Control Washable, aluminum 1-inch filters
Certifications	UL/cUL 705 AMCA licensed for FEI, Air & Sound Performance
Speed Controllable	Yes
Required Accessory	Roof Curb

### Motor Information

Motor Phase	1
Motor Type	BrushlessDC
Voltage	208
Hertz	60
Motor Included	Yes

### California Residents

**⚠ WARNING**

This product can expose you to chemicals including cadmium used in the processing of corrosion resistant metal and fasteners, which is known to the State of California to cause cancer and birth defects or other reproductive harm. For more information visit [www.P65Warnings.ca.gov](http://www.P65Warnings.ca.gov)