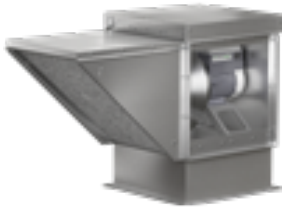




SKU
KSQ-16-M2-VG-XQDA

Job Name:
Mark:
Submitted By:
Date: 05/24/2026

Mixed Flow Supply Fan, Product # KSQ-16-M2-VG-XQDA

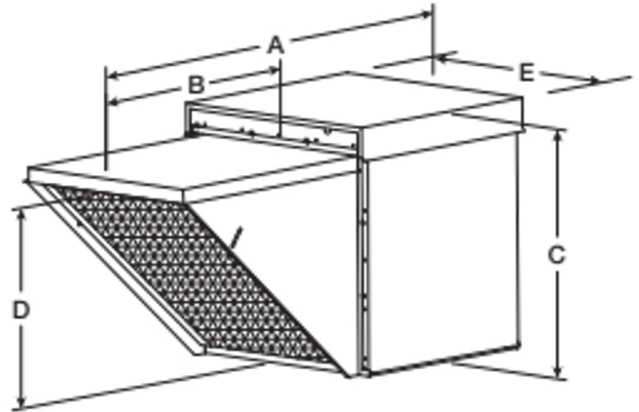


Model KSQ provides a unique combination of installation flexibility, ease of service, high efficiency, and low sound levels. Fans are compact and ideal for filtered roof-mounted supply or untempered make-up air systems in clean air environments. These fans deliver competitive advantages in a wide range of applications. Washable aluminum filters are provided as standard.

- Permanent washable aluminum filters allow for many years of reliable use
- 25.25 x 24 base with prepunched mounting holes for easy attachment to roof curb
- 22.25 x 21 inch recommended roof opening

Certifications

UL/cUL 705
AMCA licensed for FEI, Air & Sound Performance



A	B	C	D	E
57 in	30.375 in	29 in	24 in	28 in

Performance Characteristics

No Fan Curve Available.

Construction Features

Housing Material	Galvanized Steel
Drive Type	Direct Drive
Impeller Type	Mixed Flow Wheel
Impeller Material	Composite
Includes	Access Panels Disconnect switch Speed Control Washable, aluminum 1-inch filters
Certifications	UL/cUL 705 AMCA licensed for FEI, Air & Sound Performance
Speed Controllable	Yes
Required Accessory	Roof Curb

Motor Information

Motor Phase	3
Motor Type	Brushless DC
Voltage	208
Hertz	60
Motor Included	Yes

California Residents

⚠ WARNING

This product can expose you to chemicals including cadmium used in the processing of corrosion resistant metal and fasteners, which is known to the State of California to cause cancer and birth defects or other reproductive harm. For more information visit www.P65Warnings.ca.gov