



SKU
ESD-635DE-18X18

Job Name:
Mark:
Submitted By:
Date: 05/01/2026

Do not add for sale - Miami-Dade Approved Drainable Blade Louver, Product # ESD-635DE-18X18



ESD-635DE is a Florida Product Approved and Miami-Dade Approved stationary drainable blade extruded aluminum louver designed to protect air intake and exhaust openings in building exterior walls.

- Qualified for installation within concrete/masonry, steel stud, structural steel or wood framed building conditions
- Built in flattened, expanded birdscreen

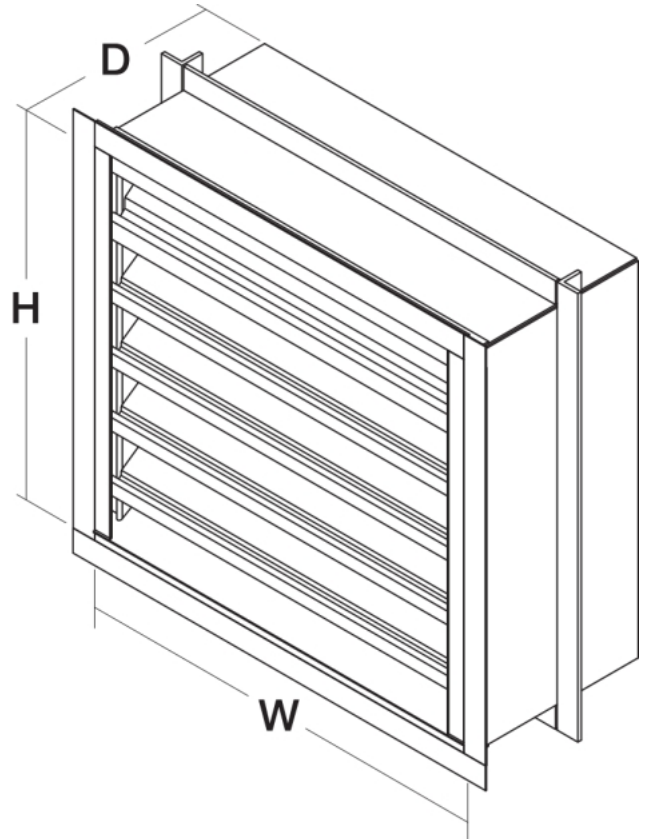
Certifications

AMCA 500-L Air Performance and Water Penetration

TAS 201 (Large Missile Impact)

TAS 202 (Uniform Static Air Pressure)

TAS 203 (Cyclic Wind Loading)



D	H	W
6 in	18 in	18 in

Performance Characteristics

No Fan Curve Available.

Construction Features

Frame Material	Heavy gauge extruded 6063T5 aluminum
Frame Gauge	0.081
Frame Type	No Flange
Blade Material	Heavy gauge extruded aluminum
Blade Gauge	0.081
Certifications	AMCA 500-L Air Performance and Water Penetration TAS 201 (Large Missile Impact) TAS 202 (Uniform Static Air Pressure) TAS 203 (Cyclic Wind Loading)

California Residents

 **WARNING**

This product can expose you to chemicals including cadmium used in the processing of corrosion resistant metal and fasteners, which is known to the State of California to cause cancer and birth defects or other reproductive harm. For more information visit www.P65Warnings.ca.gov