



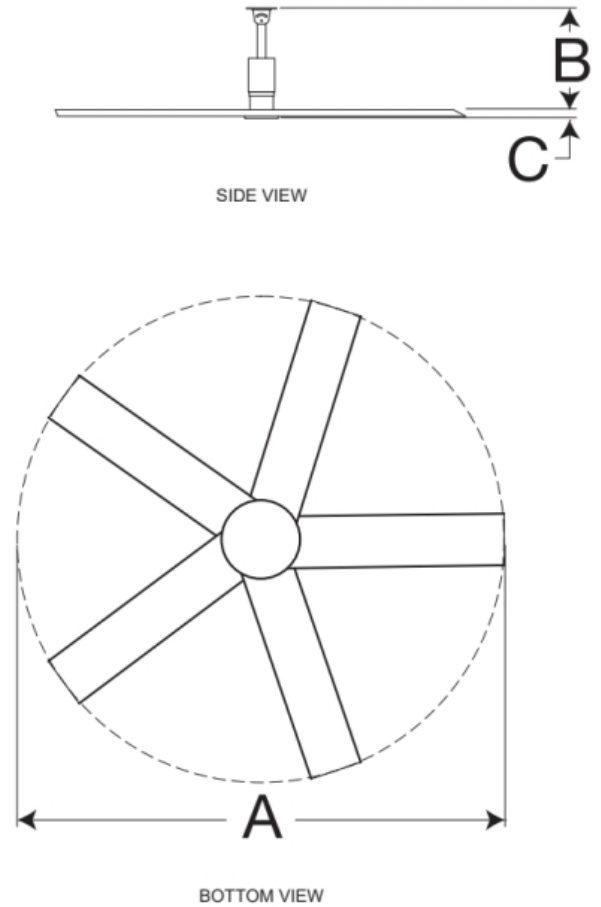
SKU
DC-5-10-NL-13LV-QD

Job Name:
Mark:
Submitted By:
Date: 05/14/2026

Overhead Fan, with Northern Light, Product # DC-5-10-NL-13LV-QD

DC-5 is an aesthetic five-blade, direct drive overhead fan for use in commercial spaces with low to medium height ceilings. Combined with its sleek design, the DC-5 provides comfortable air movement in office spaces, restaurants, fitness centers, and more. These fans are effortless to install with a total weight less than one hundred pounds, the lightest among comparable HVLS fans.

- Plug-and-Play
- Galvanized Steel Safety Cable
- Electrical Safety Systems
- Impact & Over Speed Detection
- 10-year Warranty



Performance Characteristics

No Fan Curve Available.