



SKU
SP-A90-130M-VG-QD

Job Name:
Mark:
Submitted By:
Date: 04/02/2026

Bathroom Exhaust Fan, Constant CFM with Motion Grille, Model SP-A90-130M, Vari-Green EC Motor, 115V, 1Ph, 90-130 CFM



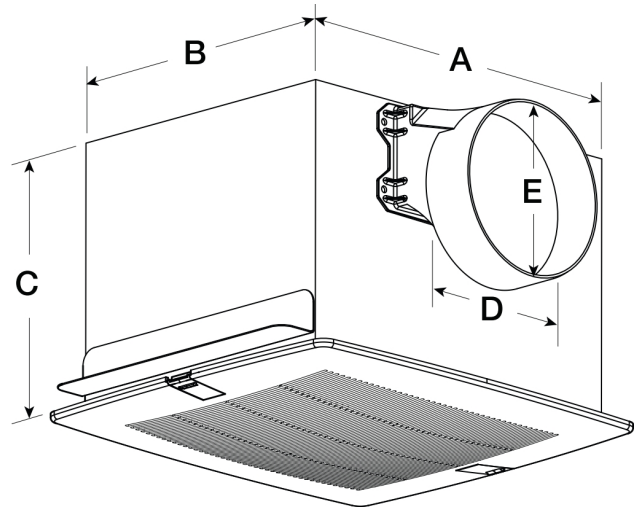
Includes Motion Grille

Model SP-VG, bathroom exhaust fan features Vari-Green EC motor technology, allowing for increased energy savings. Units operate at a constant CFM up to 0.875 in. wg. And provide continuous or intermittent ventilation while maintaining extremely low sound levels. The motion sensor grille uses a passive infrared motion detector to automatically turn the fan on when a change in motion is sensed.

- Energy efficient Vari-Green motor
- ENERGY STAR rated
- Industry-leading low sound levels
- Units operate at a constant cfm up to 0.875 in. wg. and provides continuous or intermittent ventilation while maintaining extremely low sound levels
- Motion sensor grille included

Certifications

AMCA Air & Sound
UL/cUL 507



A	B	C	D	E
13.25 in	10.625 in	9 in	6 in	6 in

Performance Characteristics

No Fan Curve Available.

Construction Features

Housing Material	Galvanized Steel
Drive Type	Direct Drive
Impeller Type	Centrifugal Wheel
Impeller Material	Polypropylene
Includes	Backdraft damper Mounting brackets Vari-Green EC motor. Motion grille
Certifications	AMCA Air & Sound UL/cUL 507
Speed Controllable	Yes

Motor Information

Motor Insulation	B
Motor Phase	1
Motor Type	BrushlessDC
Service Factor	1
Voltage	120 230
HP	1/60
Hertz	60
Motor Enclosure	n/a
RPM	2300
Thermal Protection	AutoOverload
Nominal Efficiency	1
Motor Included	Yes

Air and Sound Performance

Watts	Max Fan RPM	Min Fan RPM	Ps (in. wg)	0	0.125	0.25	0.375	0.5	0.625	0.75	0.875
24.1	887	887	CFM	90	90	90	90	90	90	82	71
			Sones	<0.3	0.6	1	1.6	2.1	2.2	2.7	2.5
24.2	960	960	CFM	110	110	110	110	110	103	82	67
			Sones	0.4	0.8	1.3	1.7	2.6	2.5	2.6	2.5
24.2	1041	1041	CFM	130	130	130	130	123	99	81	64
			Sones	1.2	1.6	1.9	2.4	2.9	2.3	2.6	2.5

California Residents

 **WARNING**

This product can expose you to chemicals including cadmium used in the processing of corrosion resistant metal and fasteners, which is known to the State of California to cause cancer and birth defects or other reproductive harm. For more information visit www.P65Warnings.ca.gov