



SKU
SP-A90M-QD

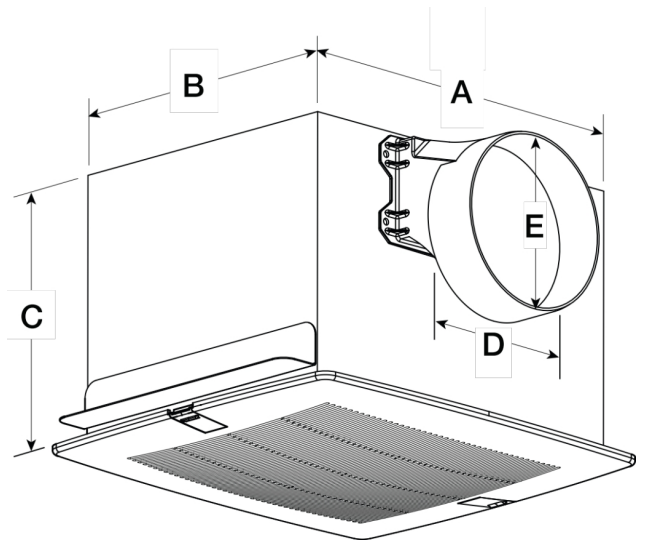
Job Name:
Mark:
Submitted By:
Date: 04/24/2026

Bathroom Exhaust Fan with Motion Grille, Model SP-A90M, 115V, 1Ph, 80-114 CFM



Model SP-A direct drive, ceiling mounted fan is designed to provide the lowest sounds levels for bathroom exhaust. Units feature an insulated housing and are ideal for residential, multi-family or hotel applications. The motion sensor grille uses a passive infrared motion detector to automatically turn the fan on when a change in motion is sensed.

- Acoustic insulation absorbs sound ensuring quiet operation
- ENERGY STAR rated
- External electrical access reduces installation time
- Industry leading low sound levels
- Speed controllable
- Spring loaded aluminum backdraft damper eliminates rattling
- Motion sensor grille included

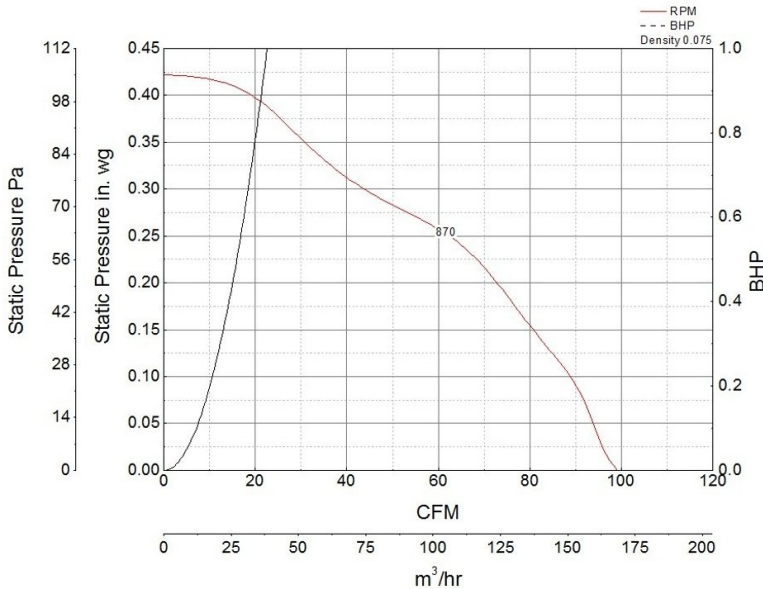


A	B	C	D	E
13.25 in	10.625 in	9 in	6 in	6 in

Certifications

AMCA Air & Sound
UL/cUL 507

Performance Characteristics



Construction Features

Housing Material	Galvanized Steel
Drive Type	Direct Drive
Impeller Type	Centrifugal Wheel
Impeller Material	Polypropylene
Includes	Backdraft damper Mounting brackets Motion grille
Certifications	AMCA Air & Sound UL/cUL 507
Speed Controllable	Yes

Motor Information

Motor Insulation	A
Motor Phase	1
Motor Type	PSC
Service Factor	1
Voltage	115
Hertz	60
Motor Enclosure	n/a
RPM	900
Thermal Protection	AutoOverload
Nominal Efficiency	20
Motor Included	Yes
Watts	16.7

Air and Sound Performance

Watts	Max Fan RPM	Min Fan RPM	Ps (in. wg)	0	0.125	0.25
16.9	870	696	CFM	114	98	80
			Sones	<0.3	<0.3	0.4

California Residents

 **WARNING**

This product can expose you to chemicals including cadmium used in the processing of corrosion resistant metal and fasteners, which is known to the State of California to cause cancer and birth defects or other reproductive harm. For more information visit www.P65Warnings.ca.gov