



SKU
CUBE-180HP-7130GQD-DR2

Job Name:
Mark:
Submitted By:
Date: 04/02/2026

Centrifugal Upblast Exhaust Fan, Product # CUBE-180HP-7130GQD-DR2, 2344-3655 CFM



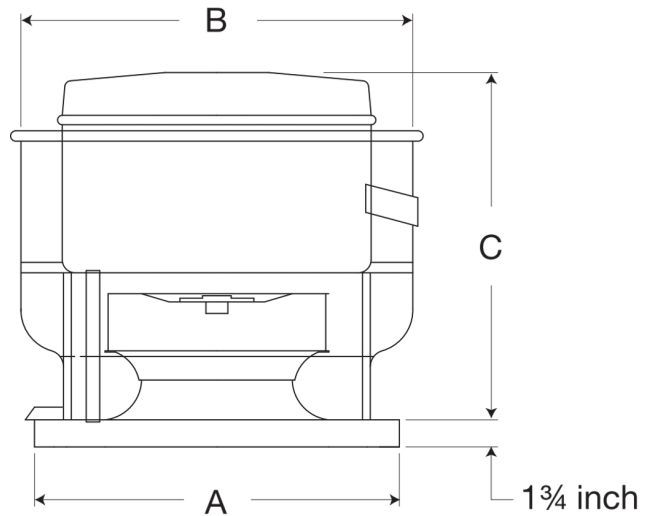
The CUBE is an aluminum exhaust fan specifically designed for roof or sidewall mounted applications where contaminated or grease laden exhaust air can be discharged directly upward, away from the roof or wall surface. The fans feature a one piece windband continuously welded to curb cap and double studded isolators for true vibration isolation.

- 30 x 30 inch base with prepunched mounting holes for easy attachment to roof curb
- 26.5 x 26.5 inch recommended roof opening
- Roof or wall mountable

Certifications

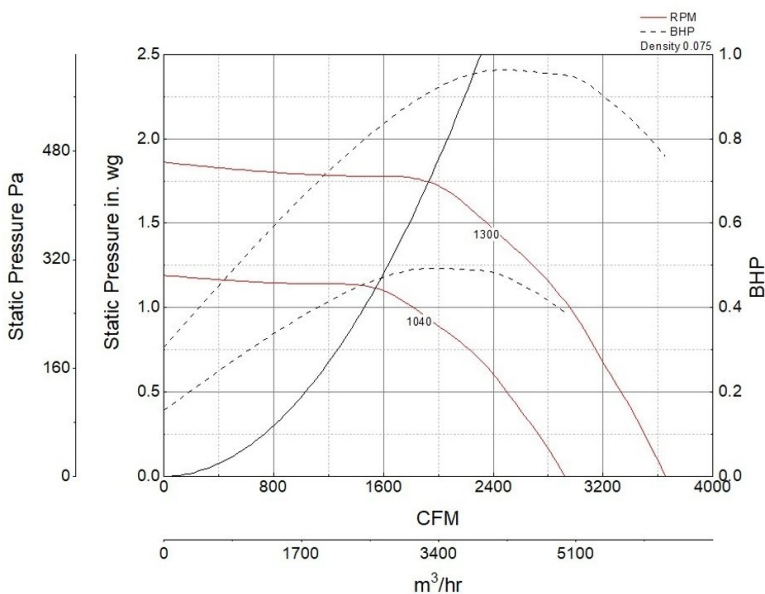
AMCA Sound & Air

UL/cUL 705 Listed - Supplement SC - "Power Ventilators for Restaurant Exh. Appliances" (Formerly UL 762)



| A | B | C |
|-------|-----------|-----------|
| 30 in | 35.375 in | 28.625 in |

Performance Characteristics



Construction Features

| | |
|---------------------------|--|
| Housing Material | Spun Aluminum |
| Drive Type | Belt Drive |
| Impeller Type | Centrifugal Wheel |
| Impeller Material | Aluminum |
| Includes | Unassembled drive package |
| Certifications | AMCA Sound & Air UL/cUL 705 Listed - Supplement SC - "Power Ventilators for Restaurant Exh. Appliances" (Formerly UL 762) |
| Drive Package Description | Motor and drives shipped loose |
| Required Accessory | Roof curb for new roof installations |

Motor Information

| | |
|--------------------|-----------------|
| Motor Insulation | B |
| Motor Phase | 1 |
| Motor Type | NEMA |
| Service Factor | 1.25 |
| Voltage | 115/208-230 |
| HP | 3/4 |
| Hertz | 60 |
| Motor Enclosure | Open Drip Proof |
| RPM | 1800 |
| Thermal Protection | AutoOverload |
| Nominal Efficiency | 70.1 |
| NEMA Frame Size | 56 |

Air and Sound Performance

| Motor HP | Max BHP | Max Fan RPM | Min Fan RPM | Ps (in. wg) | 0 | 0.125 | 0.25 | 0.375 | 0.5 | 0.625 | 0.75 | 0.875 | 1 | 1.25 | 1.5 |
|----------|---------|-------------|-------------|-------------|-------|-------|-------|-------|-------|-------|-------|-------|-------|-------|-------|
| 3/4 | 0.96 | 1300 | 1040 | CFM | 3,655 | 3,577 | 3,498 | 3,419 | 3,331 | 3,238 | 3,147 | 3,057 | 2,946 | 2,681 | 2,344 |
| | | | | Sones | 20 | 19.5 | 18.9 | 18.3 | 17.7 | 17.2 | 16.8 | 16.6 | 16.3 | 15.8 | 15.2 |



- Greenheck Fan Corporation certifies that the model shown herein is licensed to bear the AMCA Seal.
- The ratings shown are based on tests and procedures performed in accordance with AMCA Publication 211 and AMCA Publication 311 and comply with the requirements of the AMCA Certified Ratings Program.
- Performance certified is for installation type A: Free inlet, Free outlet.
- Power rating (BHP/kW) includes transmission losses.
- Performance ratings do not include the effects of appurtenances (accessories).
- The sound ratings shown are loudness values in fan sones at 5 ft. (1.5 m) in a hemispherical free field calculated per AMCA Standard 301. Values shown are for installation type A: free inlet hemispherical sone levels.

California Residents

 **WARNING**

This product can expose you to chemicals including cadmium used in the processing of corrosion resistant metal and fasteners, which is known to the State of California to cause cancer and birth defects or other reproductive harm. For more information visit www.P65Warnings.ca.gov