



SKU  
CUBE-180-15130G3QD-DR2

Job Name:  
Mark:  
Submitted By:  
Date: 04/02/2026

# Centrifugal Upblast Exhaust Fan, Product # CUBE-180-15130G3QD-DR2, 3420-5327 CFM



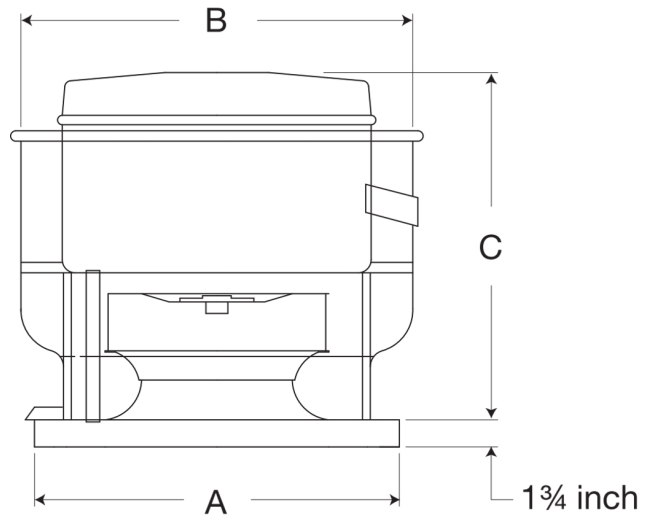
The CUBE is an aluminum exhaust fan specifically designed for roof or sidewall mounted applications where contaminated or grease laden exhaust air can be discharged directly upward, away from the roof or wall surface. The fans feature a one piece windband continuously welded to curb cap and double studded isolators for true vibration isolation.

- 30 x 30 inch base with prepunched mounting holes for easy attachment to roof curb
- 26.5 x 26.5 inch recommended roof opening
- Roof or wall mountable

### Certifications

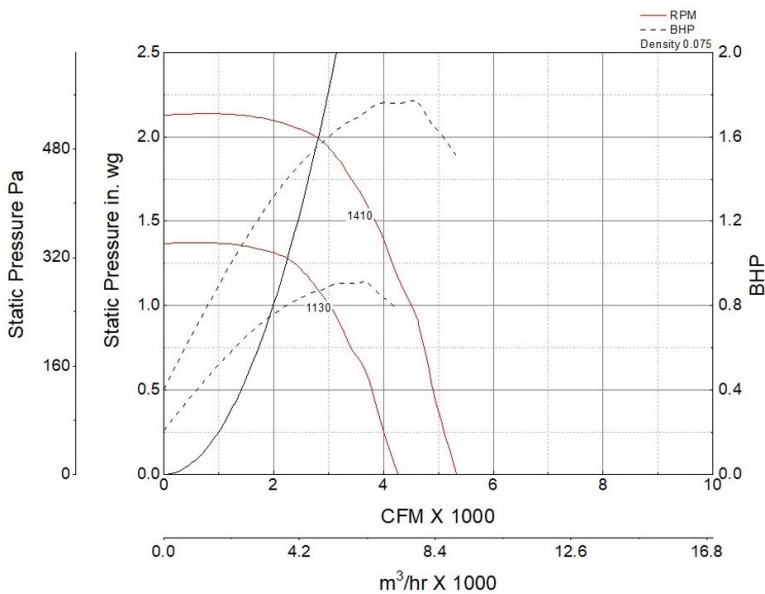
AMCA Sound & Air

UL/cUL 705 Listed - Supplement SC - "Power Ventilators for Restaurant Exh. Appliances" (Formerly UL 762)



A	B	C
30 in	35.375 in	28.625 in

## Performance Characteristics



## Construction Features

Housing Material	Spun Aluminum
Drive Type	Belt Drive
Impeller Type	Centrifugal Wheel
Impeller Material	Aluminum
Includes	Unassembled drive package
Certifications	AMCA Sound & Air UL/cUL 705 Listed - Supplement SC - "Power Ventilators for Restaurant Exh. Appliances" (Formerly UL 762)
Drive Package Description	Motor and drives shipped loose
Required Accessory	Roof curb for new roof installations

## Motor Information

Motor Insulation	F
Motor Phase	3
Motor Type	NEMA
Service Factor	1.15
Voltage	208-230/460
HP	1 1/2
Hertz	60
Motor Enclosure	Open Drip Proof
RPM	1800
Nominal Efficiency	86.5
NEMA Frame Size	56

# Air and Sound Performance

Motor HP	Max BHP	Max Fan RPM	Min Fan RPM	Ps (in. wg)	0	0.125	0.25	0.375	0.5	0.625	0.75	0.875	1	1.25	1.5	1.75
1 1/2	1.76	1410	1130	CFM	5,327	5,218	5,110	5,009	4,912	4,822	4,737	4,652	4,490	4,169	3,846	3,420
				Sones	25	25	24	24	23	23	22	22	22	21	20	19.1



- Greenheck Fan Corporation certifies that the model shown herein is licensed to bear the AMCA Seal.
- The ratings shown are based on tests and procedures performed in accordance with AMCA Publication 211 and AMCA Publication 311 and comply with the requirements of the AMCA Certified Ratings Program.
- Performance certified is for installation type A: Free inlet, Free outlet.
- Power rating (BHP/kW) includes transmission losses.
- Performance ratings do not include the effects of appurtenances (accessories).
- The sound ratings shown are loudness values in fan sones at 5 ft. (1.5 m) in a hemispherical free field calculated per AMCA Standard 301. Values shown are for installation type A: free inlet hemispherical sone levels.

## California Residents

### WARNING

This product can expose you to chemicals including cadmium used in the processing of corrosion resistant metal and fasteners, which is known to the State of California to cause cancer and birth defects or other reproductive harm. For more information visit [www.P65Warnings.ca.gov](http://www.P65Warnings.ca.gov)

### WARNING