



SKU  
BSQ-120-LMDX-QD

Job Name:  
Mark:  
Submitted By:  
Date: 04/05/2026

## Square Centrifugal Inline Fan, Product # BSQ-120-LMDX-QD, 595-2255 CFM

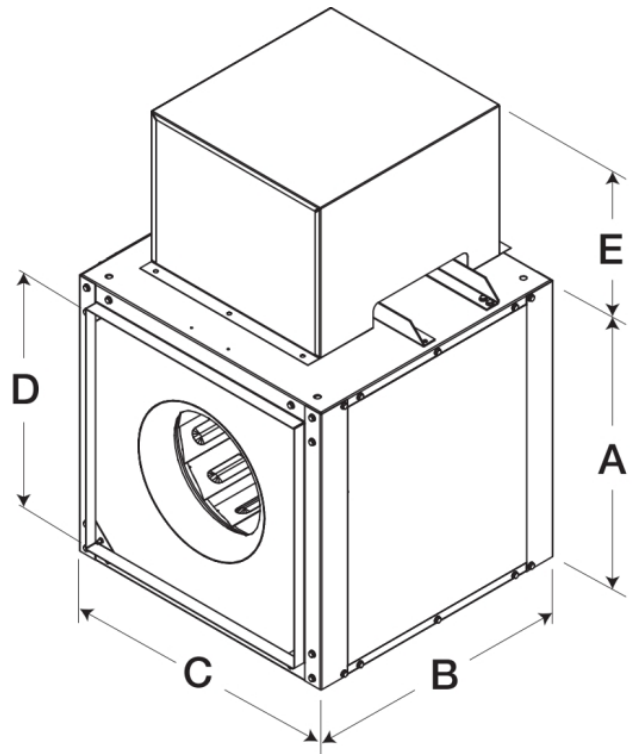


Model BSQ centrifugal inline fan features a unique combination of installation flexibility, rugged construction, ease of service, high efficiency and low sound levels. These compact fans are the ideal selection for indoor clean air applications including intake, exhaust, return or make-up air.

- 15.875 x 15.875 inch inlet width x height
- 15.875 x 15.875 inch outlet width x height
- Multiple motor and drive options available to meet any performance and application need

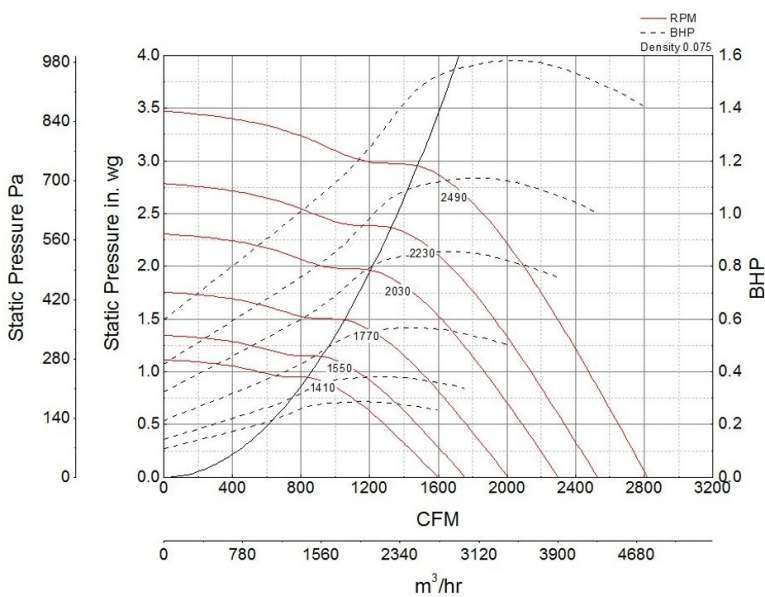
### Certifications

AMCA Sound & Air  
UL/cUL 705



A	B	C	D	E
19 in	21 in	19 in	15.875 in	12.5 in

### Performance Characteristics



Note: The maximum FRPM for each motor horsepower is shown. For additional performance ranges available for this fan, refer to the performance table.

### Construction Features

Housing Material	Galvanized Steel
Drive Type	Belt Drive
Impeller Type	Centrifugal Wheel
Impeller Material	Aluminum
Includes	Motor cover
Certifications	AMCA Sound & Air UL/cUL 705
Drive Package Description	No drive package included

### Motor Information

Motor Included	No
----------------	----

## Air and Sound Performance

Motor HP	Max BHP	Max Fan RPM	Min Fan RPM	Ps (in. wg)	0	0.125	0.25	0.375	0.5	0.625	0.75	0.875	1	1.25	1.5	1.75	2	2.25	2.5	2.75		
1/4	0.08	910	790	CFM	1,031	913	785	595	-	-	-	-	-	-	-	-	-	-	-	-	-	
				Sone <sub>s</sub>	7.4	7.3	7.2	6.9	-	-	-	-	-	-	-	-	-	-	-	-	-	-
1/4	0.15	1130	910	CFM	1,281	1,186	1,089	985	859	-	-	-	-	-	-	-	-	-	-	-	-	-
				Sone <sub>s</sub>	8.6	8.6	8.7	8.6	8.3	-	-	-	-	-	-	-	-	-	-	-	-	-
1/4	0.29	1410	1130	CFM	1,598	1,523	1,446	1,368	1,286	1,197	1,099	964	-	-	-	-	-	-	-	-	-	-
				Sone <sub>s</sub>	11.7	11.5	11.5	11.1	10.8	10.6	10.3	9.8	-	-	-	-	-	-	-	-	-	-
1/3	0.10	1000	940	CFM	1,133	1,026	914	783	-	-	-	-	-	-	-	-	-	-	-	-	-	-
				Sone <sub>s</sub>	7.8	7.8	7.8	7.6	-	-	-	-	-	-	-	-	-	-	-	-	-	-
1/3	0.19	1240	1000	CFM	1,405	1,319	1,231	1,140	1,039	917	-	-	-	-	-	-	-	-	-	-	-	-
				Sone <sub>s</sub>	9.6	9.4	9.5	9.5	9.3	9	-	-	-	-	-	-	-	-	-	-	-	-
1/3	0.38	1550	1240	CFM	1,757	1,688	1,619	1,548	1,477	1,401	1,320	1,233	1,125	-	-	-	-	-	-	-	-	-
				Sone <sub>s</sub>	13.4	13.1	13.2	12.7	12.2	12	11.6	11.4	10.8	-	-	-	-	-	-	-	-	-
1/2	0.15	1140	1060	CFM	1,292	1,198	1,102	1,000	877	-	-	-	-	-	-	-	-	-	-	-	-	-
				Sone <sub>s</sub>	8.7	8.6	8.7	8.7	8.4	-	-	-	-	-	-	-	-	-	-	-	-	-
1/2	0.29	1420	1140	CFM	1,609	1,534	1,458	1,381	1,300	1,213	1,118	992	-	-	-	-	-	-	-	-	-	-
				Sone <sub>s</sub>	11.8	11.6	11.6	11.2	10.9	10.6	10.4	9.9	-	-	-	-	-	-	-	-	-	-
1/2	0.57	1770	1420	CFM	2,006	1,946	1,886	1,824	1,762	1,700	1,635	1,568	1,494	1,327	-	-	-	-	-	-	-	-
				Sone <sub>s</sub>	16.6	15.9	16.8	16.2	15.4	14.7	14.5	14.3	14.1	13.3	-	-	-	-	-	-	-	-
3/4	0.44	1630	1340	CFM	1,847	1,782	1,716	1,649	1,582	1,512	1,439	1,358	1,273	997	-	-	-	-	-	-	-	-
				Sone <sub>s</sub>	14.5	14.1	14.3	13.9	13.3	13	12.7	12.4	12	10.6	-	-	-	-	-	-	-	-
3/4	0.86	2030	1630	CFM	2,301	2,248	2,196	2,143	2,089	2,035	1,981	1,927	1,869	1,748	1,615	1,449	-	-	-	-	-	-
				Sone <sub>s</sub>	21	20	20	20	19.4	18.8	18.4	18.4	18	17.2	16.8	15.7	-	-	-	-	-	-
1	0.59	1790	1500	CFM	2,029	1,969	1,910	1,849	1,788	1,726	1,662	1,596	1,524	1,364	1,105	-	-	-	-	-	-	-
				Sone <sub>s</sub>	16.9	16.2	17	16.5	15.7	15.1	14.8	14.6	14.3	13.7	12	-	-	-	-	-	-	-
1	1.13	2230	1790	CFM	2,527	2,480	2,432	2,384	2,335	2,287	2,238	2,188	2,139	2,034	1,924	1,804	1,662	1,459	-	-	-	-
				Sone <sub>s</sub>	24	24	24	24	23	22	22	22	22	21	20	19.6	18.7	17.5	-	-	-	-
1 1/2	0.80	1990	1830	CFM	2,255	2,202	2,148	2,094	2,040	1,984	1,929	1,873	1,813	1,687	1,547	1,352	-	-	-	-	-	
				Sone <sub>s</sub>	19.9	19.4	19.5	19.4	18.8	18.2	17.9	17.7	17.4	16.6	16	14.8	-	-	-	-	-	
1 1/2	1.58	2490	1990	CFM	2,822	2,779	2,737	2,694	2,651	2,607	2,563	2,520	2,475	2,387	2,294	2,198	2,093	1,984	1,852	1,682		
				Sone <sub>s</sub>	31	31	30	30	29	28	27	27	26	28	26	25	24	23	23	22		



- Greenheck Fan Corporation certifies that the model shown herein is licensed to bear the AMCA Seal. The ratings shown are based on tests and procedures performed in accordance with AMCA Publication 211 and AMCA Publication 311 and comply with the requirements of the AMCA Certified Ratings Program.
- Performance certified is for installation type B: Free inlet, Ducted outlet.
- Power rating (BHP/kW) includes transmission losses.
- Performance ratings do not include the effects of appurtenances (accessories).
- The inlet sound ratings shown are loudness values in fan sones at 5 ft. (1.5 m) in a hemispherical free field calculated per AMCA Standard 301. Values shown are for installation type B: free inlet hemispherical sone levels.

## California Residents

### WARNING

This product can expose you to chemicals including cadmium used in the processing of corrosion resistant metal and fasteners, which is known to the State of California to cause cancer and birth defects or other reproductive harm. For more information visit [www.P65Warnings.ca.gov](http://www.P65Warnings.ca.gov)