



SKU  
BSQ-120-15X-QD-DR1

Job Name:  
Mark:  
Submitted By:  
Date: 04/04/2026

## Square Centrifugal Inline Fan, Product # BSQ-120-15X-QD-DR1, 1352-2255 CFM

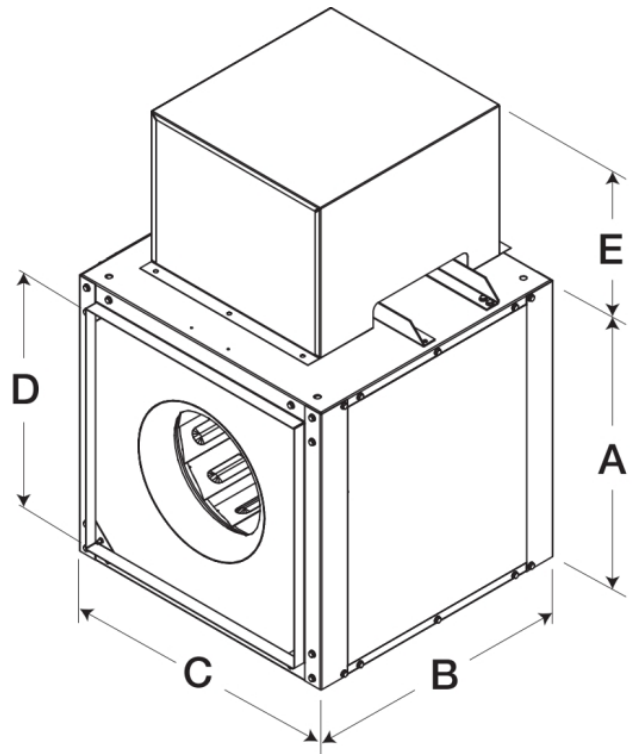


Model BSQ centrifugal inline fan features a unique combination of installation flexibility, rugged construction, ease of service, high efficiency and low sound levels. These compact fans are the ideal selection for indoor clean air applications including intake, exhaust, return or make-up air.

- 15.875 x 15.875 inch inlet width x height
- 15.875 x 15.875 inch outlet width x height
- Horizontal or vertical mounting

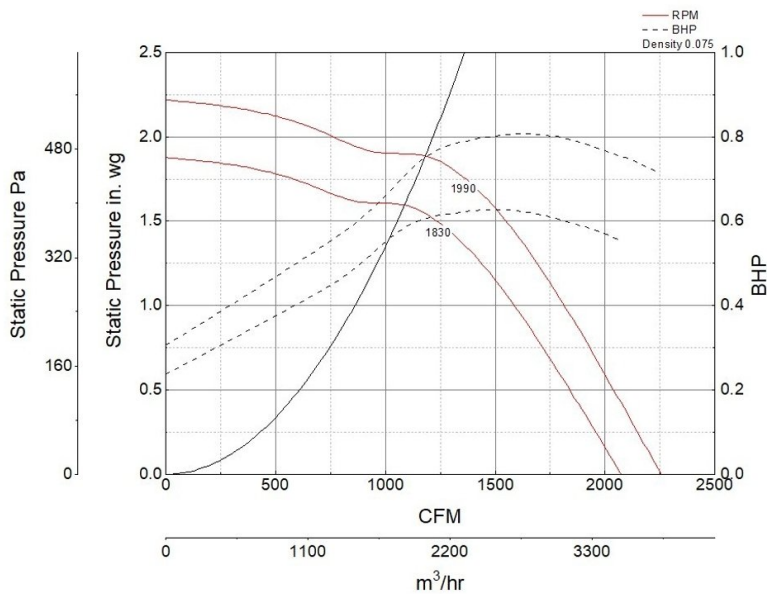
### Certifications

AMCA Sound & Air  
UL/cUL 705



| A     | B     | C     | D         | E       |
|-------|-------|-------|-----------|---------|
| 19 in | 21 in | 19 in | 15.875 in | 12.5 in |

### Performance Characteristics



### Construction Features

|                           |  |
|---------------------------|--|
| Housing Material          | Galvanized Steel                         |
| Drive Type                | Belt Drive                               |
| Impeller Type             | Centrifugal Wheel                        |
| Impeller Material         | Aluminum                                 |
| Includes                  | Motor cover<br>Unassembled drive package |
| Certifications            | AMCA Sound & Air<br>UL/cUL 705           |
| Drive Package Description | Motor and drives shipped loose           |

### Motor Information

|                    |                 |
|--------------------|-----------------|
| Motor Insulation   | B               |
| Motor Phase        | 1               |
| Motor Type         | NEMA            |
| Voltage            | 115/208-230     |
| HP                 | 1 1/2           |
| Hertz              | 60              |
| Motor Enclosure    | Open Drip Proof |
| RPM                | 1800            |
| Thermal Protection | AutoOverload    |

# Air and Sound Performance

| Motor HP | Max BHP | Max Fan RPM | Min Fan RPM | Ps (in. wg) | 0     | 0.125 | 0.25  | 0.375 | 0.5   | 0.625 | 0.75  | 0.875 | 1     | 1.25  | 1.5   | 1.75  |
|----------|---------|-------------|-------------|-------------|-------|-------|-------|-------|-------|-------|-------|-------|-------|-------|-------|-------|
| 1 1/2    | 0.80    | 1990        | 1830        | CFM         | 2,255 | 2,202 | 2,148 | 2,094 | 2,040 | 1,984 | 1,929 | 1,873 | 1,813 | 1,687 | 1,547 | 1,352 |
|          |         |             |             | Sones       | 19.9  | 19.4  | 19.5  | 19.4  | 18.8  | 18.2  | 17.9  | 17.7  | 17.4  | 16.6  | 16    | 14.8  |



- Greenheck Fan Corporation certifies that the model shown herein is licensed to bear the AMCA Seal. The ratings shown are based on tests and procedures performed in accordance with AMCA Publication 211 and AMCA Publication 311 and comply with the requirements of the AMCA Certified Ratings Program.
- Performance certified is for installation type B: Free inlet, Ducted outlet.
- Power rating (BHP/kW) includes transmission losses.
- Performance ratings do not include the effects of appurtenances (accessories).
- The inlet sound ratings shown are loudness values in fan sones at 5 ft. (1.5 m) in a hemispherical free field calculated per AMCA Standard 301. Values shown are for installation type B: free inlet hemispherical sone levels.

## California Residents

### WARNING

This product can expose you to chemicals including cadmium used in the processing of corrosion resistant metal and fasteners, which is known to the State of California to cause cancer and birth defects or other reproductive harm. For more information visit [www.P65Warnings.ca.gov](http://www.P65Warnings.ca.gov)

### WARNING