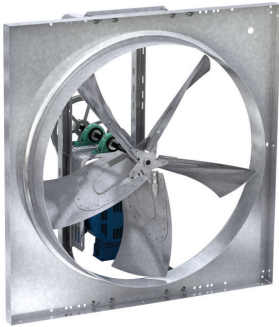




SKU
SBE-2L36-LMDX-QD

Job Name:
Mark:
Submitted By:
Date: 05/09/2026

Sidewall Propeller Exhaust Fan, Product # SBE-2L36-LMDX-QD, 9995-20194 CFM

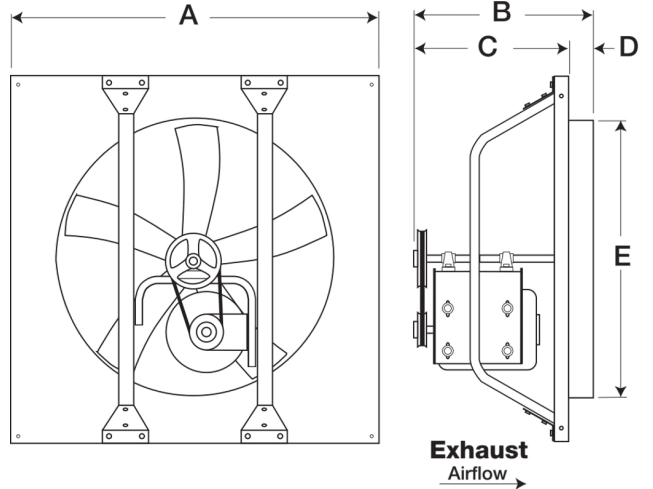


Model SBE, belt drive, sidewall propeller exhaust fans are designed for commercial and industrial applications where high volumes of air and low static pressures are required.

- 42 x 42 inch fan panel with prepunched mounting holes for easy installation and precise alignment
- 36 inch, 5-blade galvanized steel propeller
- Multiple motor and drive options available to meet any performance and application need

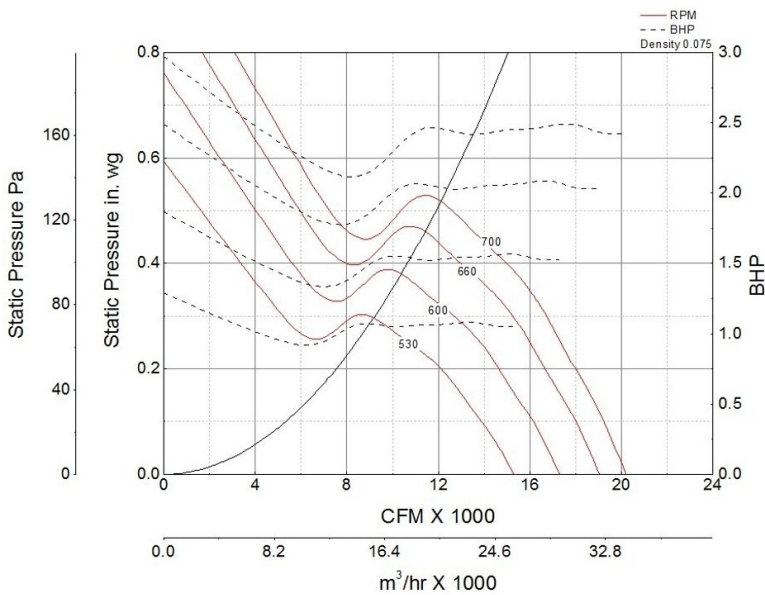
Certifications

AMCA Sound & Air
UL/cUL 705



A	B	C	D	E
44 in	21.5 in	16.5 in	2 in	36.625 in

Performance Characteristics



Note: The maximum FRPM for each motor horsepower is shown. For additional performance ranges available for this fan, refer to the performance table.

Construction Features

Housing Material	Galvanized Steel
Drive Type	Belt Drive
Impeller Type	Propeller
Impeller Material	Galvanized Steel
Certifications	AMCA Sound & Air UL/cUL 705
Drive Package Description	No drive package included

Motor Information

Motor Included	No
----------------	----

Air and Sound Performance

Motor HP	Max BHP	Max Fan RPM	Min Fan RPM	Ps (in. wg)	0	0.125	0.25	0.375	0.5
1	0.57	430	370	CFM	12,405	9,995	-	-	-
				Sones	13.3	13.1	-	-	-
1	1.08	530	430	CFM	15,290	13,446	10,690	-	-
				Sones	16.6	16.3	15.5	-	-
1 1/2	0.80	480	450	CFM	13,848	11,752	-	-	-
				Sones	14.7	14.2	-	-	-
1 1/2	1.55	600	480	CFM	17,310	15,755	13,802	-	-
				Sones	20	20	19.8	-	-
2	2.07	660	530	CFM	19,040	17,691	15,971	13,635	-
				Sones	24	24	23	23	-
3	2.48	700	560	CFM	20,194	18,965	17,344	15,450	12,082
				Sones	28	27	26	26	25



- Greenheck Fan Corporation certifies that the model shown herein is licensed to bear the AMCA seal. The ratings shown are based on tests and procedures performed in accordance with AMCA Publication 211 and AMCA Publication 311 and comply with the requirements of the AMCA Certified Ratings Program.
- Performance certified is for installation type A: Free inlet, Free outlet.
- Power rating (Bhp/kW) includes transmission losses.
- Performance ratings do not include the effects of appurtenances (accessories).
- The sound ratings shown are loudness values in fan sones at 5 ft. (1.5 m) in a hemispherical free field calculated per AMCA Standard 301. Values shown are for installation type A: free inlet hemispherical sone levels.

California Residents

WARNING

This product can expose you to chemicals including cadmium used in the processing of corrosion resistant metal and fasteners, which is known to the State of California to cause cancer and birth defects or other reproductive harm. For more information visit www.P65Warnings.ca.gov