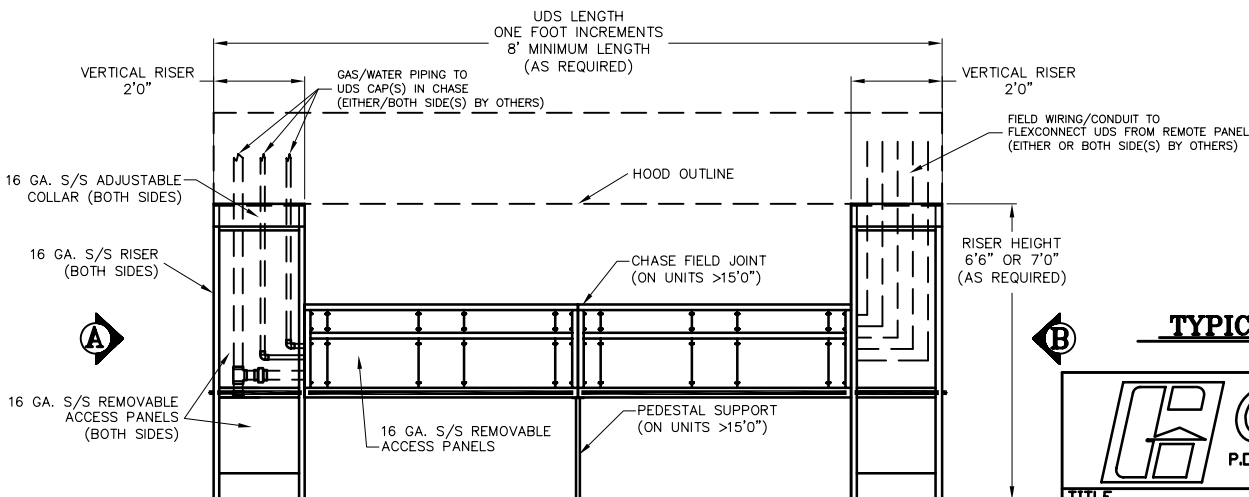


PLAN VIEW

ITEM ~ UTILITY DISTRIBUTION SYSTEM

GREENHECK DISTRIBUTION SYSTEM IS DESIGNED AND FABRICATED IN ACCORDANCE WITH THE LATEST RELEASE OF THE NATIONAL FIRE PROTECTION ASSOCIATION, NATIONAL ELECTRICAL CODE, NATIONAL ELECTRICAL MANUFACTURERS ASSOCIATION, UNIFORM PLUMBING CODE.



TYPICAL ELEVATION VIEW

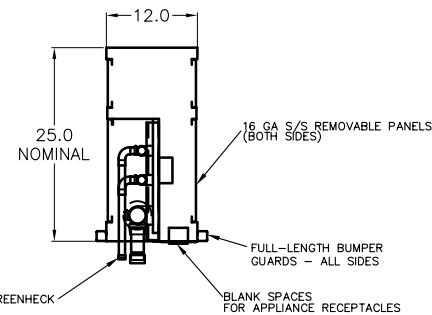
This FlexConnect Unit is Base System.

MAIN SERVICE SCHEDULE				
SYMBOL	SIZE	SERVICE		ENTRY
H	1"	HOT WATER MANIFOLD (45 PSIG MAX.)		ABOVE
C	1"	COLD WATER MANIFOLD (45 PSIG MAX.)		ABOVE
G	2"	GAS MANIFOLD (7" W.C.)		ABOVE
E	--	ELECTRIC - BLANK SPACES FOR RECEPTACLES (NO WIRING) (BREAKERS IN REMOTE PANEL BY OTHERS)		ABOVE
F	10A	FAN CONTROL CIRCUIT 120/1		ABOVE
HL	20A	HOOD LIGHT(S) CONTROL CIRCUIT 120/1		ABOVE

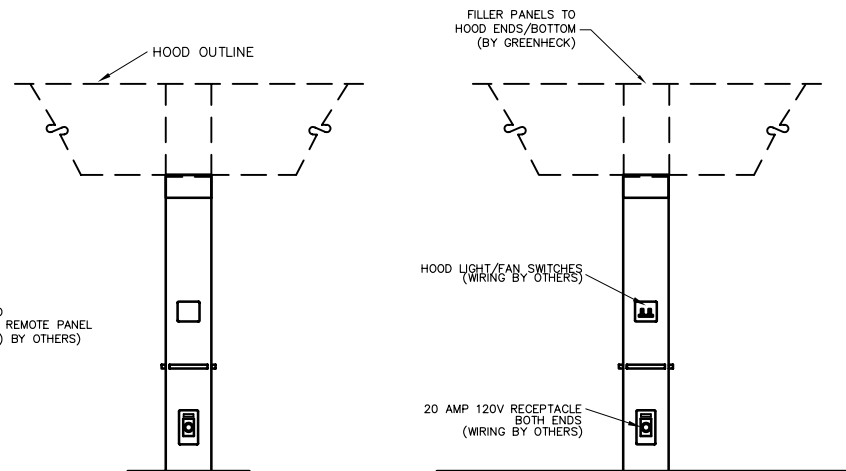
NOTE: FIELD CONNECTION REQUIREMENTS FOR GAS AND ELECTRIC.

GAS MANIFOLD - BRING IN THE FOLLOWING GAS MBH TO THE CHASE MANIFOLD:

PIPE SIZE	SINGLE SERVICE			LOOPED SERVICE		
	10 FT. CHASE	20 FT. CHASE	30 FT. CHASE	10 FT. CHASE	20 FT. CHASE	30 FT. CHASE
2"	3050	2100	1650	6100	4200	3300



TYPICAL SECTION THRU C



TYPICAL ELEVATION "A"

TYPICAL ELEVATION "B"



TITLE

**FLEX CONNECT SYSTEM
MIN-GHC-__'0"**

DRAWN BY PODJASKI	ECG
DATE 01/26/2004	ENG. REF.
SUPERSEDES	
SCALE NONE	
CAD DRAWING NO.	A
FLEXCONNECT_BASE_UNIT	