

Special Purpose BACKDRAFT DAMPER

Application and Design

The WD-340 is designed to be bolted to the flanged outlet of Greenheck Model SWB utility blowers. Maximum velocities not to exceed 2500 fpm.

Standard Construction

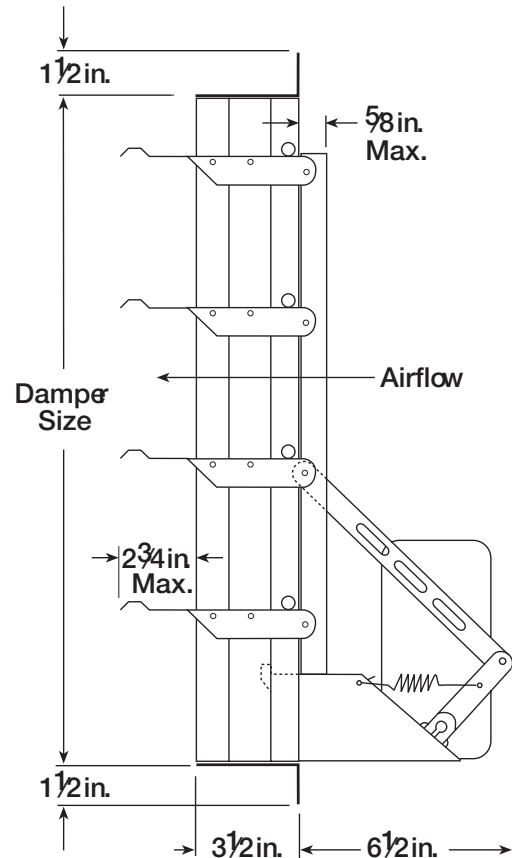
- Frame:** 18 ga. (1.3mm) galvanized steel.
- Blades:** 0.032 in. (.8mm) roll-formed aluminum
- Axles:** $\frac{3}{16}$ in. (4.8mm) dia. zinc plated steel, full length.
- Bearings:** Synthetic (acetal) sleeve.
- Linkage:** 0.064 in. (1.6mm) aluminum tie bar.
- Blade Seals:** Vinyl.

Size Limitations

- Minimum Panel Size:** 6 in. W x 6 in. H
(152mm x 152mm)
- Maximum Panel Size:** 36 in. W x 72 in. H
(914mm W x 1829mm H)

Options and Accessories (at additional cost)

- Motor Packs (24 Vac, 115 Vac, 208/230 Vac, 440 Vac)
- End Switch Kit (Part #851038)



NOTE: Actual size same as nominal size.