



Round Duct Access Doors

APPLICATION

Greenheck round duct access doors provide a durable, practical and inexpensive means of gaining access to components inside the ductwork. Round Duct access door provides a solid leakage proof door that is simple to install. This access door has been tested to 20 in. wg and negative 10 in. wg with no leakage noted.

CONSTRUCTION

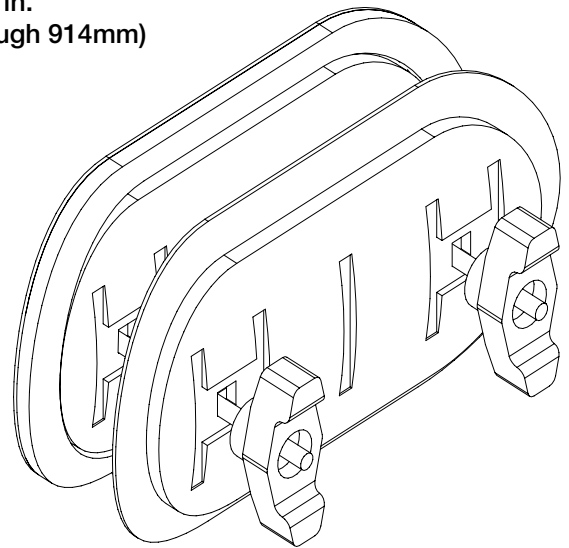
Sizes Available: 8 in. x 4 in. for duct size 5 in. through 9 in.
(203mm x 102mm for duct size 127mm through 229mm)
12 in. x 8 in. for duct size 10 in. thru 20 in.
(305mm x 203mm for duct size 254mm through 508mm)
16 in. x 12 in. for duct size 21 in. through 36 in.
(406mm x 305mm for duct size 533mm through 914mm)

Panels: Round duct access door consists of three layers of precision stamped, hot-dipped galvanized steel. Standard access door is non-insulated. Optional is fiberglass insulated door (which has a smooth interior finish).

Gasket: Closed cell neoprene gasket with a service temperature range of -20° F (-28°C) to 200° F (93°C). The gasket is permanently bonded to the inside of the door to eliminate leakage.

Springs: Springs are installed over the bolts, between the inner door and outer door, to help opening.

Knobs: Red polypropylene molded knobs have threaded metal inserts to eliminate thread stripping. Knobs are easily turned by hand without wrenches.



INSTALLATION: Easy installation. Self adhesive cut around template is provided for the exact size duct opening required. Cut opening around perimeter of template. Insert door into opening at an angle and tighten knobs (Do not over tighten).

