

### APPLICATION

Model WDR-53 is a round backdraft damper which may be mounted horizontally for airflow down or up, or mounted vertically for horizontal airflow.

### RATINGS

**Pressure:** 3 in. wg (.7 kPa)  
**Velocity:** 2000 fpm (10.2 m/s)  
**Temperature:** 180°F (82°C)

### STANDARD CONSTRUCTION

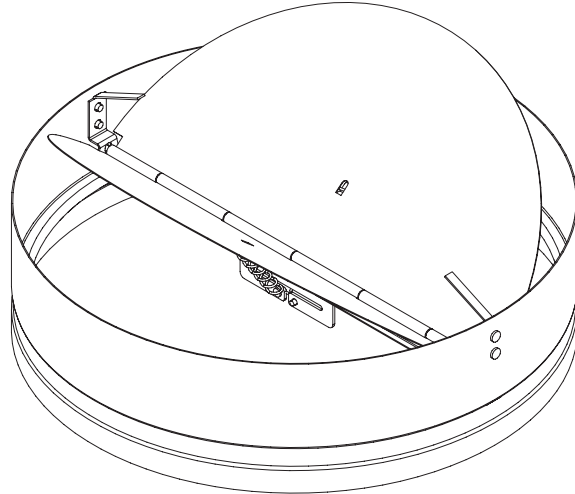
**Frame:** 20 ga. (1mm) galvanized steel  
**Blades:** .020 (.5mm) aluminum  
**Blade Seal:** Closed cell neoprene/EPDM/SBR blend

### SIZE LIMITATIONS (available in 1 in. [25mm] increments)

**Minimum Size:** 4 in. (102mm)  
**Maximum Size:** 24 in. (610mm)

### OPTIONAL FEATURES

Extended Frame



Diameter is approximately 1/8 in. (3mm) undersize.

Frame Dimensions	
Damper Model	Length
WDR-53 Standard Frame	3.25 in. (83mm)

WDR-53 Extended Frame	
Damper Diameter	Length "L"
5 in. - 10.999 in. (127mm - 279mm)	7.25 in. (184mm)
11 in. - 16.999 in. (279mm - 432mm)	10.25 in. (260mm)
17 in. - 24 in. (432mm - 610mm)	13.25 in. (336mm)

