

**Application and Design**

The VCDRM-53, a low-leakage insert type multi-blade round damper, is designed to provide optimum control of airflow in round HVAC ductwork.

**Ratings**

**Pressure:** 2.5 - 5.0 in. wg (662 Pa - 1245 Pa)  
pressure differential.

**Velocity:** 2500 fpm (12.7 m/s)

**Leakage:** 8 cfm/ft<sup>2</sup> @ 4 in. wg (146 cmh/m<sup>2</sup> @ 1 kPa)  
4 cfm/ft<sup>2</sup> @ 1 in. wg (73 cmh/m<sup>2</sup> @ .25 kPa)

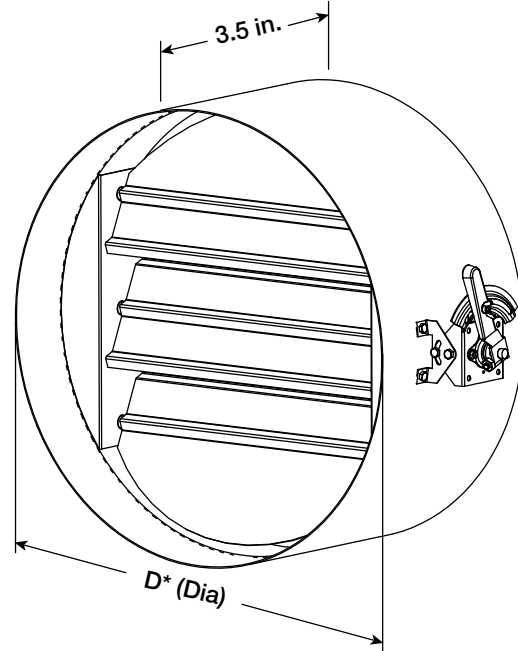
**Temperature:** 180°F (82°C)

Construction	Standard	Optional
Frame Material	Galvanized Steel	304SS; Painted
Frame Thickness	3 1/2 in. x 14 ga. (89mm x 2mm) under 22 in. dia. (559mm); 3 1/2 in. x 10 ga. (89mm x 3mm) and greater	
Frame Type	Round	
Blade Action	Opposed	Parallel
Blade Material	Galvanized Steel	304SS; Painted
Blade Seals	Vinyl blade seals with Silicone on top and bottom radii	
Blade Thickness	16 ga. (1.5mm)	-
Blade Type	3V	-
Linkage	Plated Steel	304SS
Axle Bearing	Bronze	304SS
Axle Material	1/2 in. (13mm) Plated Steel	304SS
Paint Finishes	Baked Enamel, Epoxy, Hi Pro Polyester, Industrial Epoxy, Permatector™	

Diameter*	Minimum	Maximum
in. (mm)	10 in. (254)	36 in. (914)
* 1 in. (25mm) increments		

**Features**

- Wide range of electric and pneumatic actuators available. Factory installation available.
- 120V, 24VAC, 24VDC, 240V, pneumatic, or manual quadrant



\*D dimension furnished approximately 1/4 in. (6mm) undersize.

**Leakage Data**

Leakage testing was conducted in accordance with AMCA Standard 500-D and is expressed as cfm/ft<sup>2</sup> of damper face area. All data has been corrected to represent standard air at a density of 0.075 lb/ft<sup>3</sup> (1.201 kg/m<sup>3</sup>).

