

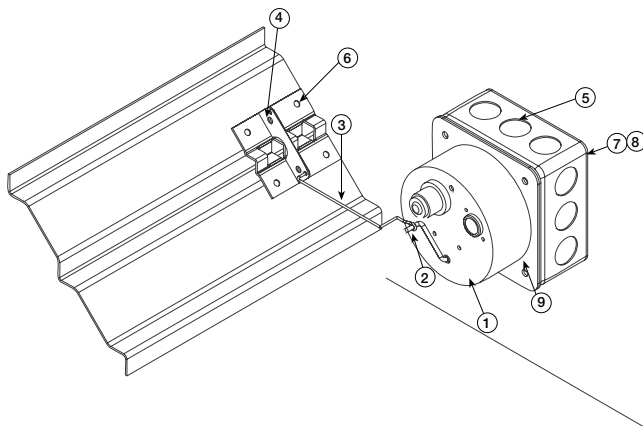
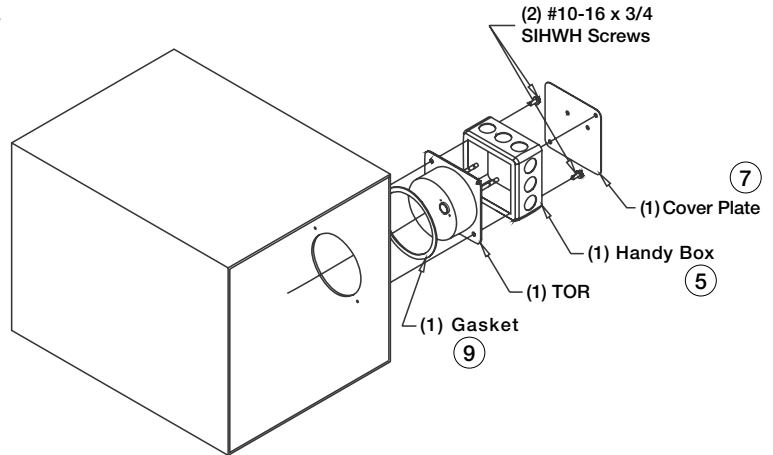
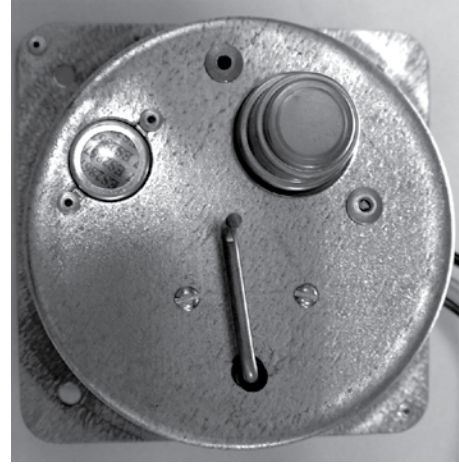
APPLICATION

The TOR option incorporates two electric sensing devices (thermostats) with fixed settings (usually 165° F [74°C] and 350° F [177°C]) and eliminates the fusible link entirely. The primary sensor (165° F [74°C] setting standard; 212° F [100°C] optional) can be bypassed by an external electrical signal allowing the damper to reopen and remain open until the temperature reaches the setting of the secondary sensor (usually 350° F [177°C] depending on the actuator). When the temperature of the secondary sensor is exceeded, the damper closes and remains closed thereafter.

Both sensors are of the manual reset type and can be reset after the temperatures have cooled down below the sensor set points. Before resetting any sensor, a careful inspection of the damper and sensors should be made as exposure to actual fire conditions may render these devices unuseable.

This option requires factory installation of the damper actuator and factory wiring of the electric sensor to meet UL requirements for fire dampers. If the damper is equipped with a pneumatic actuator, an EP switch is required with an appropriate electric power circuit, to allow the electric thermostat to control the pneumatic actuator.

The TOR assembly contains a single pole, double throw switch used to indicate damper blade position. The switch provides a positive open and closed signal when used in conjunction with remote indicator lights. TOR assemblies are used in active smoke control applications to positively indicate the status of all combination fire/smoke dampers in the building. This single pole/single throw switch assembly may also be used to provide a start/stop control circuit for remote fan installations.



Item#	Part #	Qty.	Description
1	821276 (165°/250°F) 820732 (212°/350°F) 821275 (165°/350°F)	1	TOR Switch Box
2	415548	2	Pushnut retainer
3	457808 (short) 457801 (long)	1 1	Indicator Linkage
4	658594	1	Blade Clip
5	380864	1	4 x 4 in. handy box
6	415555	4	#10 self drilling Tek screws
7	658593	1	4 x 4 in. cover plate
8	460630	1	Label
9	370119	1	Gasket

RATINGS

Integral Switch Type: Single Pole, double throw

Electrical: 15 Amps, 1/3 hp, 120 or 240 Vac
 1/2 Amp, 120 Vdc; 1/4 Amp 240 Vdc
 5 Amps, 120 Vac "L" (lamp load)
 1.0 Amps, 24 Vac
 1.5 Amps, 24 Vdc

Temperature Limit: 165° F (standard primary sensor)
 212° F (optional primary sensor)
 250° F (secondary sensor)
 350° F (secondary sensor)

