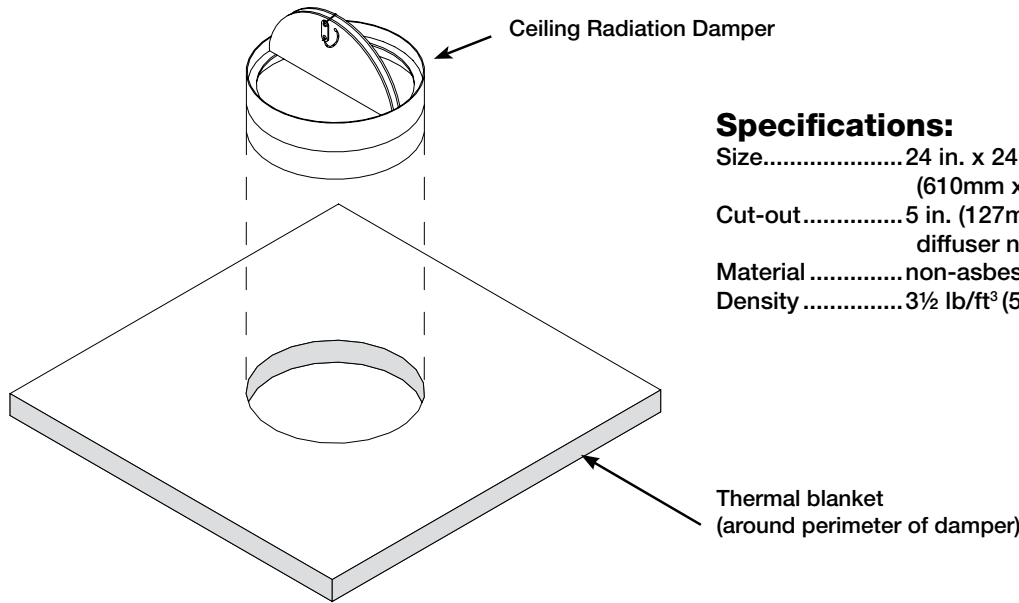


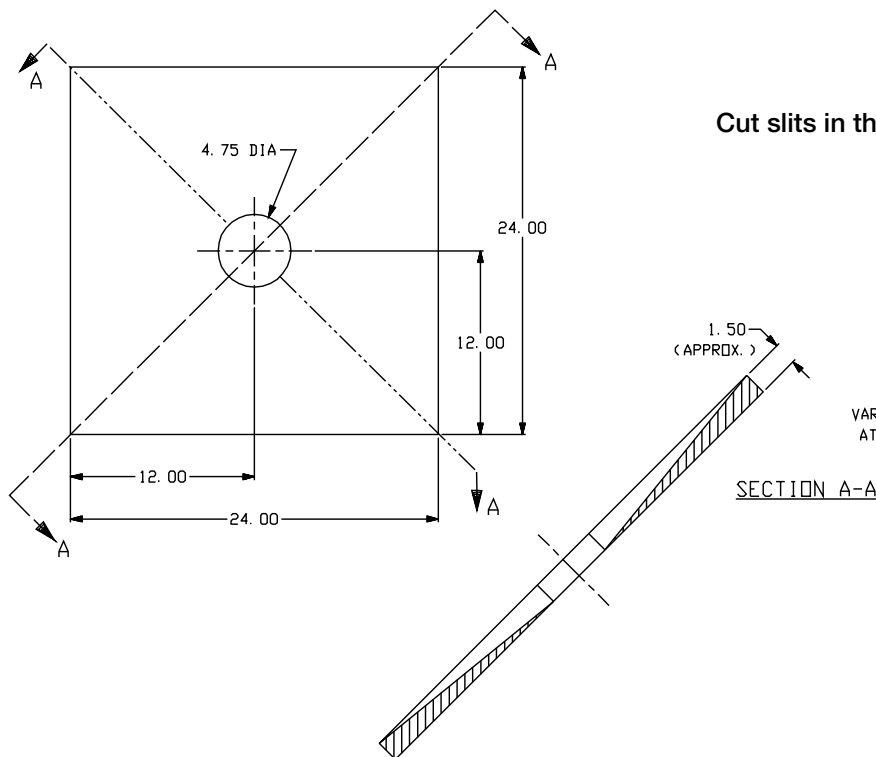
TB-24 is a non-asbestos mineral wool thermal blanket. This mineral wool thermal blanket material is listed with UL to be used as an accessory to Greenheck's ceiling radiation dampers or to be used as batt and blanket material. TB-24 is UL listed for openings up to 576 square inches.

Mineral Wool Thermal Blanket 3 Hour Fire Resistance Rating



Specifications:

Size.....24 in. x 24 in. x 1½ in.
(610mm x 610mm x 38mm)
Cut-out.....5 in. (127mm) diameter. May be cut for larger diffuser necks.
Materialnon-asbestos mineral wool
Density3½ lb/ft³ (56 kg/m³)



Cut slits in the blanket, so it lays flat on top of the diffuser.

VARY CUT FROM COMPLETELY THROUGH AT CENTER TO NO CUT AT CORNERS.