



Model SSFD-350

Static Rated Fire Dampers 3 Hour Fire Resistance Rating

Application

Model SSFD-350 is approved for use in walls and partitions with fire resistance ratings of 3 hours or more. This model carries a 3 hour UL fire damper label. UL555 classifies static rated fire dampers for use in HVAC systems that are automatically shut down in the event of fire. SSFD-350 is constructed out of 304 stainless steel.

Ratings

UL555 Fire Resistance Rating
Fire Rating: 3 hours

Construction	Standard	Optional
Frame Material	304SS*	-
Frame Depth	3 11/16 in. (94mm)	-
Blade Material	304SS*	-
Closure Spring	Stainless Steel	-
Fusible Link	165°F (74°C)	212°F or 286°F (100°C) or (141°C)
Mounting	Vertical	-

* in gauges required by UL listing R-13317

Model SSFD-350 meets the requirements for fire damper established by:

National Fire Protection Association

(NFPA Standards 80, 90A & 101)

Underwriters Laboratories Standard 555 (Listing #R-13317)

IBC International Building Codes

New York City (MEA listing #260-91-M)

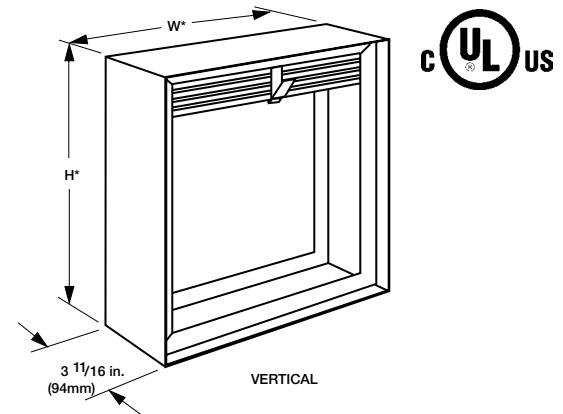
California State Fire Marshall

(Listing #3225-981:102)

"UL CLASSIFIED (see complete marking on product)"

"UL CLASSIFIED to Canadian safety standards (see complete marking on product)"

Standard 555 (Listing #R13317)



Optional Features

- Security Bars
- One piece retaining angles (POC)
- Sealed transitions and sleeves
- Transitions (B, B2, C, CO, CR, R)

Installation

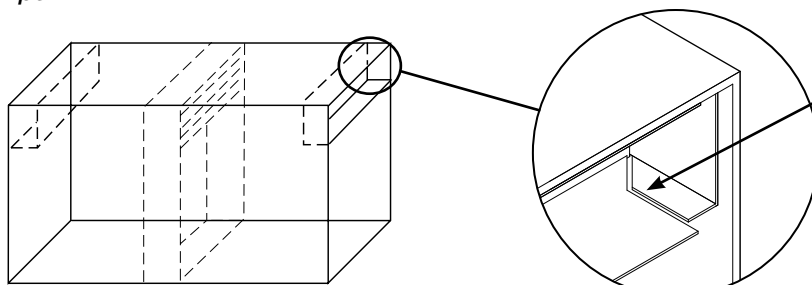
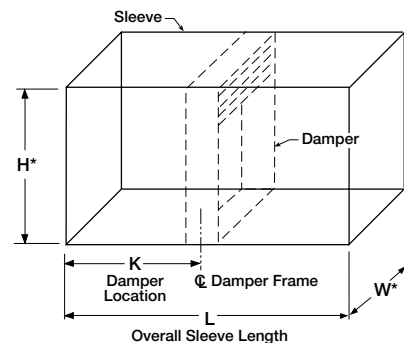
All fire damper installations require the use of sleeves, angles and methods described in Greenheck Fire Damper Installation Instructions #452763, included with every damper shipment. Sleeves can be field fabricated or factory furnished as a complete damper/sleeve assembly. See Factory Sleeve Option below for details.

Factory Sleeve Option

SSFD-350 Fire Dampers are available in factory furnished sleeves. Sleeves are stainless steel and are available in 10 and 20 ga. (1mm - 3.5mm) thicknesses and lengths up to 36 in. (914mm).

"K" dimension specifies location of damper within the sleeve. Minimum is 4 in. (102mm), maximum is "L" less 4 in. (102mm), which allows for mounting angle installation and duct connection at each end of sleeve. If "K" dimension is not specified, it will be provided as one half of "L" dimension (damper centered in sleeve).

Note: If using access doors, the door should be installed on the "K" side of the damper.



Type B with sleeve

Type B corner profile

When sealed option is selected, B transitions will need to be field sealed in the area where duct to sleeve connection is made.

Installation instructions available at
www.greenheck.com

Sizing Data

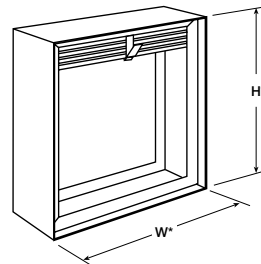
SSFD-350 Type A, B, & B2

Dampers are supplied as single section only.

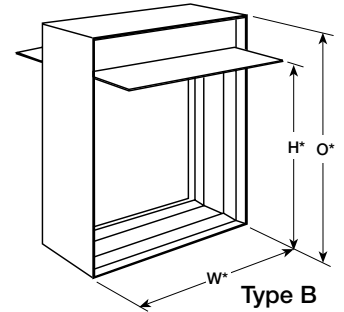
The following chart show minimum and maximum damper sizes. Dimensions are in inches (mm in parentheses).

Size Limitations

Inches (mm)	Type A		Type B & B2	
	Minimum	Maximum	Minimum	Maximum
Single Section Vertical	4 x 4 (102 x 102)	48 x 48 (1219 x 1219)	4 x 3 (102 x 76)	48 x 42 (1219 x 1067)

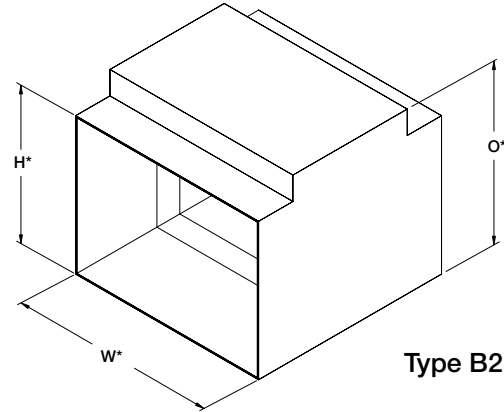
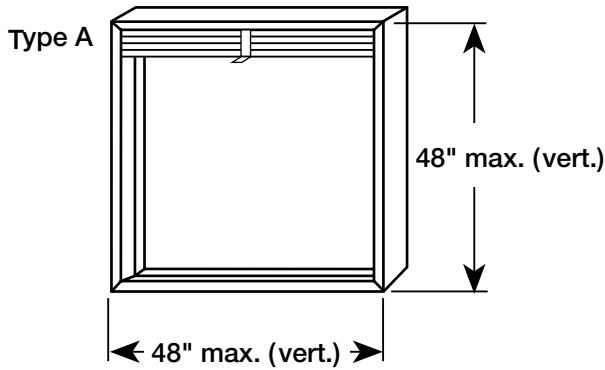


Type A

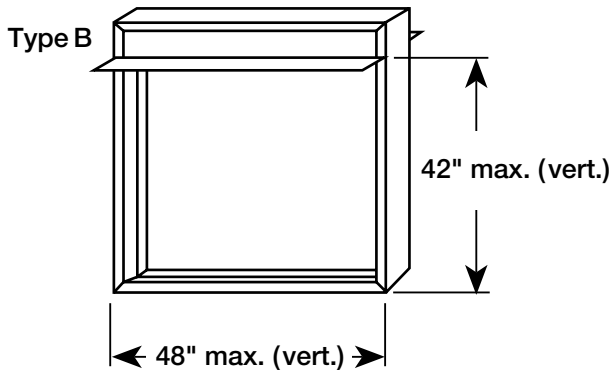


Type B

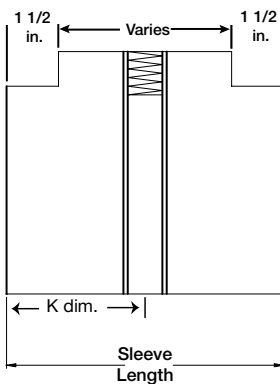
Maximum Single Section Dimensions



Type B2



Type B2 side view



H*	O*
3 (76)	5 (127)
4 (102)	6 (152)
5 (127)	7 (178)
6 (152)	8 (203)
7 (178)	9 (229)
8 (203)	10 (254)
9 (229)	11 (279)
10 (254)	12 (305)
11 (279)	13 (330)
12 (305)	14 (356)
13 (330)	15 (381)
14 (356)	16 (406)
15 (381)	18 (457)
16 (406)	19 (483)
17 (432)	20 (508)
18 (457)	21 (533)
19 (483)	22 (559)
20 (508)	23 (584)
21 (533)	24 (610)
22 (559)	26 (660)

H*	O*
23 (584)	27 (686)
24 (610)	28 (711)
25 (635)	29 (737)
26 (660)	30 (762)
27 (686)	31 (787)
28 (711)	32 (813)
29 (737)	33 (838)
30 (762)	34 (864)
31 (787)	36 (914)
32 (813)	37 (940)
33 (838)	38 (965)
34 (864)	39 (991)
35 (889)	40 (1016)
36 (914)	41 (1041)
37 (940)	42 (1067)
38 (965)	44 (1118)
39 (991)	45 (1143)
40 (1016)	46 (1168)
41 (1041)	47 (1194)
42 (1067)	48 (1219)

* These dimensions are furnished approximately 1/4 in. (6mm) undersize.

Sizing Data

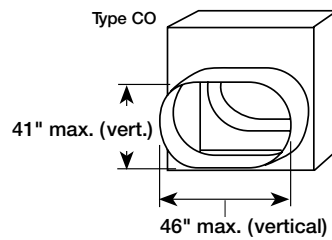
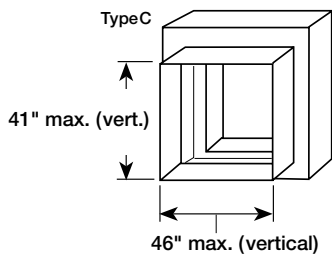
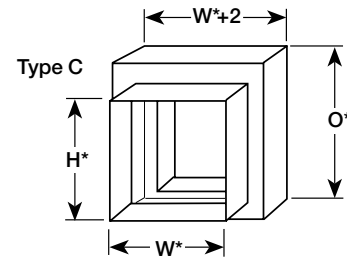
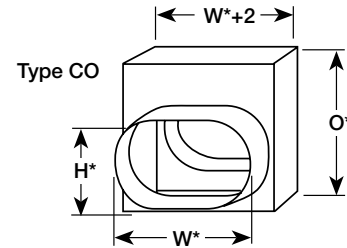
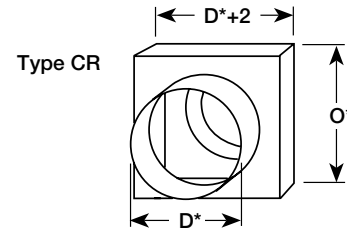
SSFD-350 Type CR, CO, C & R

Dampers are supplied as single section only.

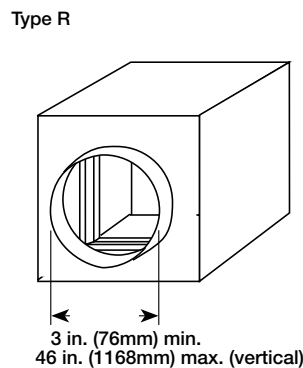
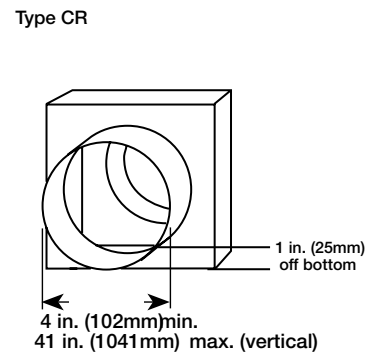
The following chart show minimum and maximum damper sizes. Dimensions are in inches (mm in parentheses).

Inches (mm)	Type CR		Type C & CO		Type R*1	
	Minimum	Maximum	Minimum	Maximum	Minimum	Maximum
Single Section Vertical	3 (76)	41 (1041)	4 x 4 (102 x 102)	46 x 41 (1168 x 1041)	3 (76)	46 (1168)

*1 With 2 in. (50mm) offset. Sizes adjust with 0 offset and 1 in. (25mm) offset.



C, CO, CR transitions are positioned 1 in. (25mm) from bottom of sleeve



H* or D*	O*	H* or D*	O*
3 (76)	6 (152)	23 (584)	28 (711)
4 (102)	7 (178)	24 (610)	29 (737)
5 (127)	8 (203)	25 (635)	30 (762)
6 (152)	9 (229)	26 (660)	31 (787)
7 (178)	10 (254)	27 (686)	32 (813)
8 (203)	11 (279)	28 (711)	33 (838)
9 (229)	12 (305)	29 (737)	34 (864)
10 (254)	13 (330)	30 (762)	36 (914)
11 (279)	14 (356)	31 (787)	37 (940)
12 (305)	15 (381)	32 (813)	38 (965)
13 (330)	16 (406)	33 (838)	39 (991)
14 (356)	18 (457)	34 (864)	40 (1016)
15 (381)	19 (483)	35 (889)	41 (1041)
16 (406)	20 (508)	36 (914)	42 (1067)
17 (432)	21 (533)	37 (940)	44 (1118)
18 (457)	22 (559)	38 (965)	45 (1143)
19 (483)	23 (584)	39 (991)	46 (1168)
20 (508)	24 (610)	40 (1016)	47 (1194)
21 (533)	26 (660)	41 (1041)	48 (1219)
22 (559)	27 (686)	-	-

* Dimensions are inches (mm). These dimensions are furnished approximately 1/4 in. (6mm) undersize, except round and oval dimensions (D, H, W) are approximately 1/8 in. (3mm) undersize.



P.O. Box 410 • Schofield, WI 54476-0410 • 715.359.6171 • greenheck.com

Copyright © 2011 Greenheck Fan Corporation
SSFD-350 Rev. 7 Oct 2011