

## Dynamic Rated FIRE DAMPERS

*1 1/2 Hour Fire Resistance Rating*

### Application and Design

Model SSDFDR-510 is a round fire damper. It has been qualified to 2,000 fpm (10.2 m/s) and 4 in. (1 kPa) wg for operation as a dynamic closure damper in emergency fire situations. It is qualified to be mounted vertically and horizontally.

### Ratings

Pressure: 4 in. wg (1 kPa)  
 Velocity: 2000 fpm (10.2 m/s)  
 Temperature: 165° F (74°C)

Construction	Standard	Optional
Frame Material	304SS	-
Frame Thickness	20 ga. (1mm)	16 ga. (1.5mm), 14 ga. (2mm)
Blade Material	Double skin 304SS	-
Blade Thickness	20 ga. (1mm)	-
Axle Bearings	Stainless Steel	-
Axle Material	1/2 in. (13mm) Stainless Steel	-
Closure Device	Fusible Link	-
Closure Temperature	165°F (74°C)	212°F or 286°F (100°C or 141°C)

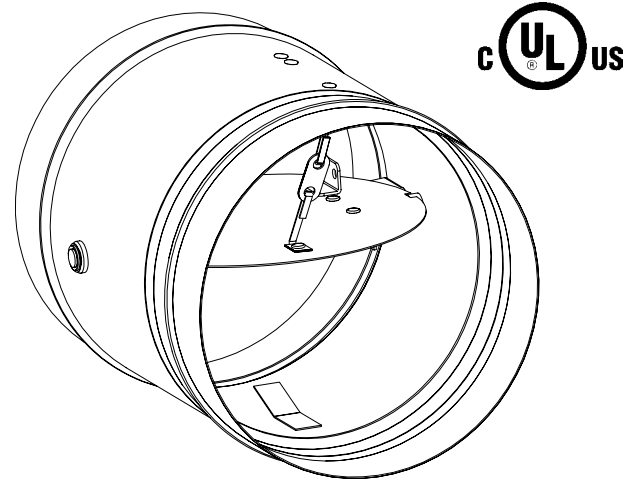
Diameter	Minimum	Maximum
in. (mm)	4 in. (102)	24 in. (610)

### Features:

- Can be mounted horizontally or vertically
- Only one retainer plate required (one retainer plate supplied with damper). Additional retainer plate available.
- Clean Wrap

Model SSDFDR-510 meets the requirements for fire dampers established by:

**National Fire Protection Association**  
 (NFPA Standards 80, 90A & 101)  
**Underwriters Laboratories Standard 555**  
 (Listing #R-13317)  
**IBC International Building Codes**  
**CSFM California State Fire Marshal**  
**Fire Damper Testing (#3225-0981:112)**



\* These dimensions are furnished approximately 1/8 in. (3mm) smaller than nominal.

WALL THICKNESS	SLEEVE LENGTH
Up to 6.5	13.625
Up to 8.5	15.625
Up to 10.5	17.625
Over 10.5	Consult Greenheck

