

3 Hour Fire Resistance Rating

APPLICATION

Model SSDFD-350 is approved for use in walls, floors and partitions with fire resistance ratings of 3 hours or more. This model carries a 3 hour UL fire damper label. UL 555 classifies dynamic rated fire dampers for use in HVAC systems that are operational in the event of fire.

RATINGS

UL555 Fire Resistance Rating

Fire Rating: 3 hours

Dynamic closure rating

Maximum Velocity: 2000 fpm (10.2 m/s) vertical mount

Maximum Pressure: 4 in. wg (1 kPa)

Model SSDFD-350 meets the requirements for fire dampers established by:

National Fire Protection Association
(NFPA Standards 80, 90A & 101)

Underwriters Laboratories Standard 555 (Listing #R-13317)

IBC International Building Codes (UBC Standard 43-7)

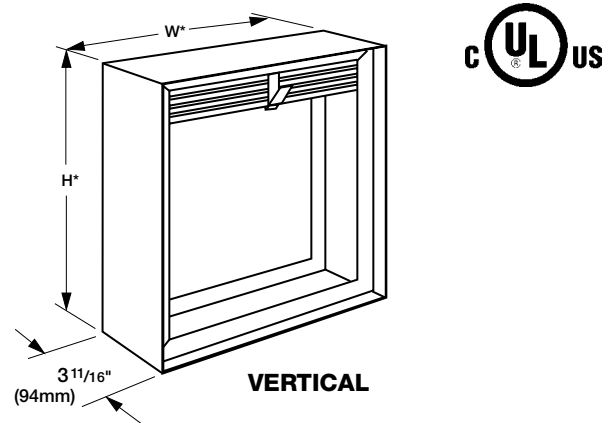
New York City (MEA listing #260-91-M)

California State Fire Marshall
(Listing #3225-981:102)

Construction	Standard	Optional
Frame Material	Stainless Steel*	-
Frame Depth	3 11/16 in. (94mm)	-
Blade Material	Stainless steel*	-
Closure Spring	Stainless Steel	-
Fusible Link	165°F (74°C)	212°F or 286°F (100°C) or (141°C)
Mounting	Vertical	-

* in gauges required by UL listing R-13317

“UL CLASSIFIED (see complete marking on product)”
“UL CLASSIFIED to Canadian safety standards (see complete marking on product)”
Standard 555 (Listing #R13317)



* These dimensions are furnished approximately 1/4 in. (6mm) undersize

OPTIONAL FEATURES

- Sealed transitions and sleeves
- Security bars
- One piece retaining angles (POC)
- Transitions (B, B2, C, CO, CR, R)

INSTALLATION

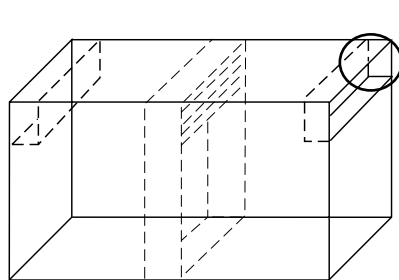
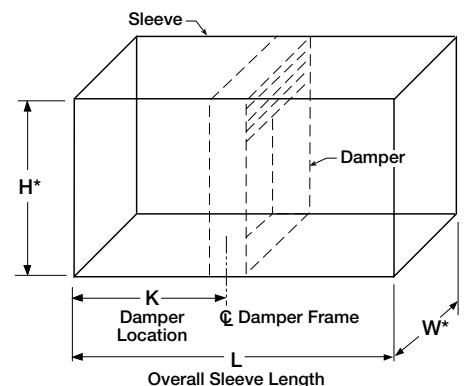
All fire damper installations require the use of sleeves, angles and methods described in Greenheck Fire Damper Installation Instructions #452763, included with every damper shipment. Sleeves can be field fabricated or factory furnished as a complete damper/sleeve assembly. See Factory Sleeve Option below for details.

FACTORY SLEEVE OPTION

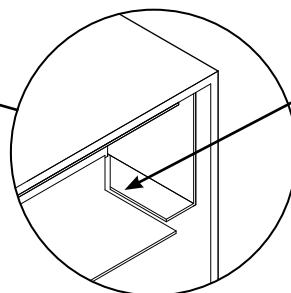
SSDFD-350 Fire Dampers are available in factory furnished sleeves. Sleeves are stainless steel and are available in 10 thru 20 ga. (1mm - 3.5mm) thicknesses and lengths up to 36 in. (914mm).

“K” dimension specifies location of damper within the sleeve. Minimum is 4 in. (102mm), maximum is “L” less 4 in. (102mm), which allows for mounting angle installation and duct connection at each end of sleeve. If “K” dimension is not specified, it will be provided as one half of “L” dimension (damper centered in sleeve).

Note: If using access doors, the door should be installed on the “K” side of the damper.



Type B with sleeve



Type B corner profile

When sealed option is selected, B transitions will need to be field sealed in the area where duct to sleeve connection is made.

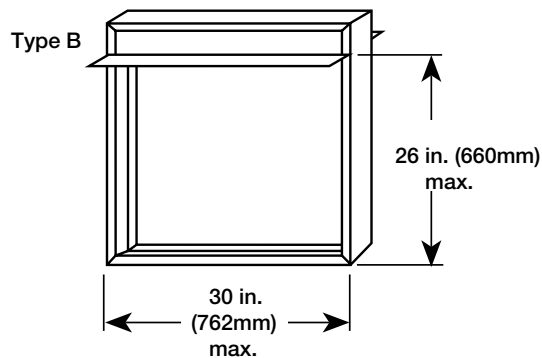
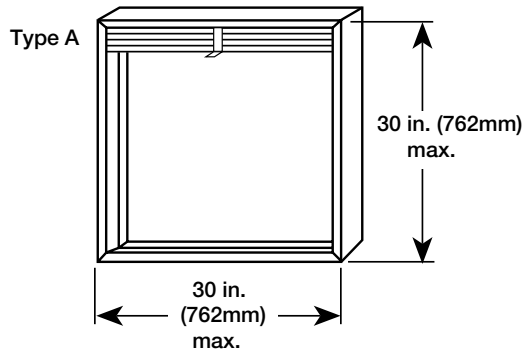
SSDFD-350 Types A&B

The following chart shows minimum and maximum damper section size. Dimensions are in inches (mm).

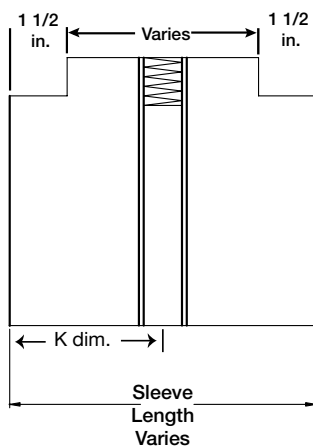
Size Limitations

Inches (mm)	Type A		Type B	
	Minimum	Maximum	Minimum	Maximum
Single Section Vertical	4 x 4 (102 x 102)	30 x 30 (762 x 762)	4 x 3 (102 x 76)	30 x 26 (762 x 660)

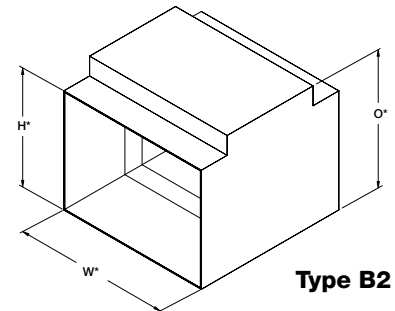
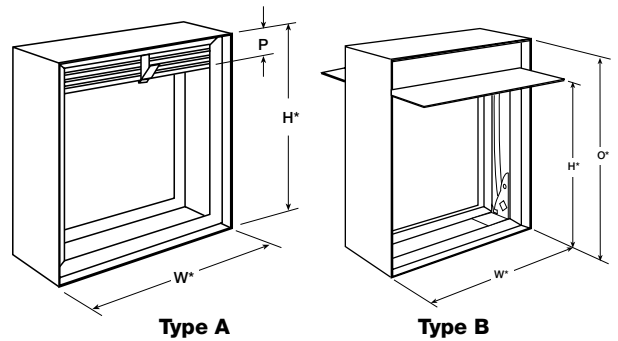
Maximum Single Section Dimensions



Type B2 side view



Overall Damper Dimensions



H*	O*
3 (76)	5 (127)
4 (102)	6 (152)
5 (127)	7 (178)
6 (152)	8 (203)
7 (178)	9 (229)
8 (203)	10 (254)
9 (229)	11 (279)
10 (254)	12 (305)
11 (279)	13 (330)
12 (305)	14 (356)
13 (330)	15 (381)
14 (356)	16 (406)
15 (381)	18 (457)
16 (406)	19 (483)
17 (432)	20 (508)
18 (457)	21 (533)
19 (483)	22 (559)
20 (508)	23 (584)
21 (533)	24 (610)
22 (559)	26 (660)
23 (584)	27 (686)
24 (610)	28 (711)
25 (635)	29 (737)
26 (660)	30 (762)

*Dimensions given in inches (mm). These dimensions are furnished approximately 1/4 in. (6mm) undersize.

SSDFD-350 Types C, CR, CO, & R

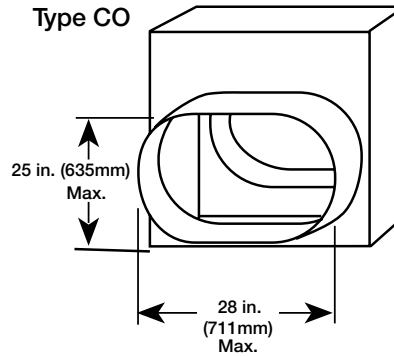
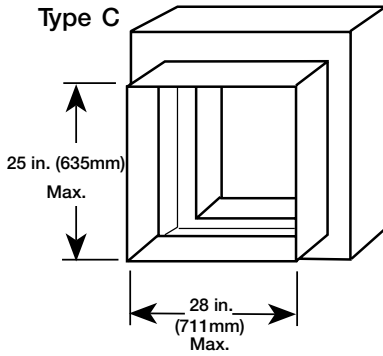
The following chart shows minimum and maximum damper section size. Dimensions are in inches (mm).

Size Limitations

Inches (mm)	Type CR		Type CO & C		Type R* ¹	
	Minimum	Maximum	Minimum	Maximum	Minimum	Maximum
Single section Vertical	3 (76)	25 (635)	3 x 3 (76 x 76)	28 x 25 (711 x 635)	3 (76)	29 (737)

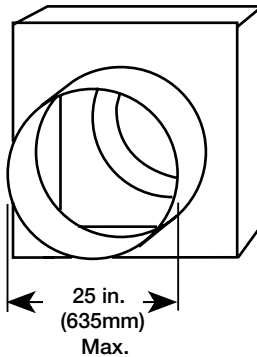
*¹ With 2 in. (50mm) offset. Sizes adjust with 0 offset & 1 in. (25mm) offset.

Maximum Single Section Dimensions

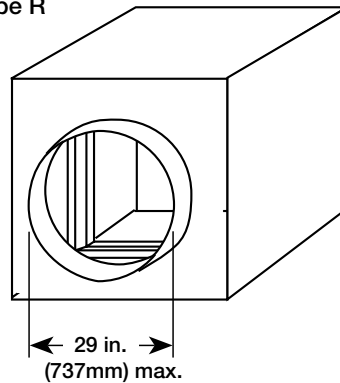


C, CO, CR transitions are positioned 1 in.(25mm) from bottom of sleeve.

Type CR

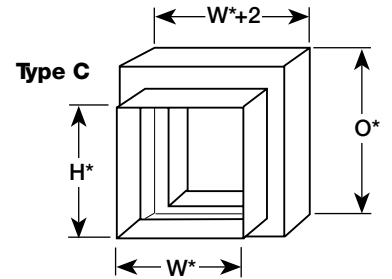
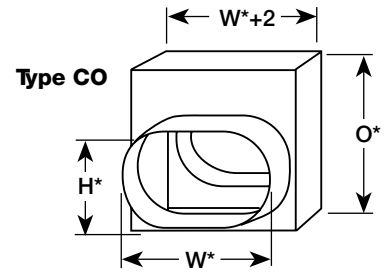
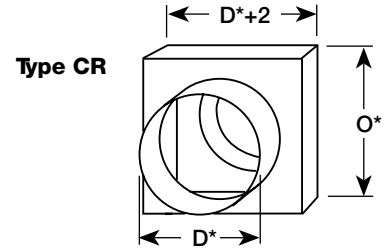


Type R



Type R transition is centered on damper frame. Dimensions are with 2 in. (50mm) offset.

Overall Damper Dimensions



H* or D*	O*
3 (76)	6 (152)
4 (102)	7 (178)
5 (127)	8 (203)
6 (152)	9 (229)
7 (178)	10 (254)
8 (203)	11 (279)
9 (229)	12 (305)
10 (254)	13 (330)
11 (279)	14 (356)
12 (305)	15 (381)
13 (330)	16 (406)
14 (356)	17 (432)
15 (381)	19 (483)
16 (406)	20 (508)
17 (432)	21 (533)
18 (457)	22 (559)
19 (483)	23 (584)
20 (508)	24 (610)
21 (533)	25 (635)
22 (559)	27 (686)
23 (584)	28 (711)
24 (610)	29 (737)
25 (635)	30 (762)

* Dimensions are in inches (mm). These dimensions are furnished approximately 1/4 in. (6mm) undersize.

