

Dynamic Rated Round Fire Dampers
1 1/2 Hour Fire Resistance Rating
Application and Design

Model SEDFDR-510 is a round severe environment fire damper. It has been qualified to 2,000 fpm (10.2 m/s) and 4 in. (1 kPa) wg for operation as a dynamic closure damper in emergency fire situations. It is qualified to be mounted vertically and horizontally.

Ratings

Pressure: 4 in. wg (1 kPa)
 Velocity: 2,000 fpm (10.2 m/s)
 Temperature: 165° F (74°C)

Standard Construction

Frame/Sleeve: 20 ga. (1mm) 316 stainless steel
 Blades: 20 ga. (1mm) 316 stainless steel
 Closure device: 165° F (74°C) fusible link
 Axles: 1/2 in. dia. (6mm) 316 stainless steel
 Bearings: 316 Stainless steel sleeve type

Size Limitations

Minimum size: 4 in. dia. (102mm)
 Maximum size: 24 in. dia. (610mm)

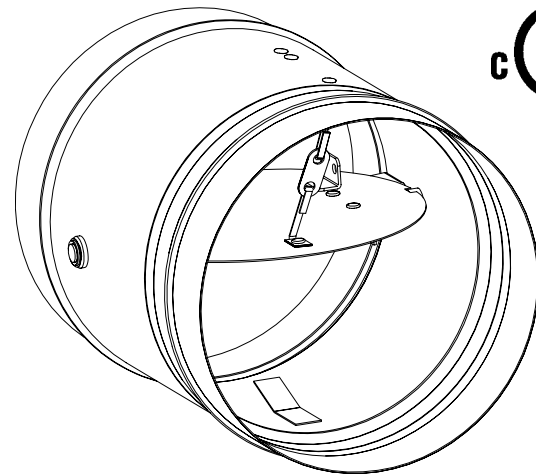
Features:

- 316 Stainless steel closure springs
- Fusible links - 165°F (74°C) standard; 212°F (100°C) and 286°F (141°C) available
- Can be mounted horizontally or vertically
- Only one retainer plate required (one retainer plate supplied with damper)
- Additional retainer plate available

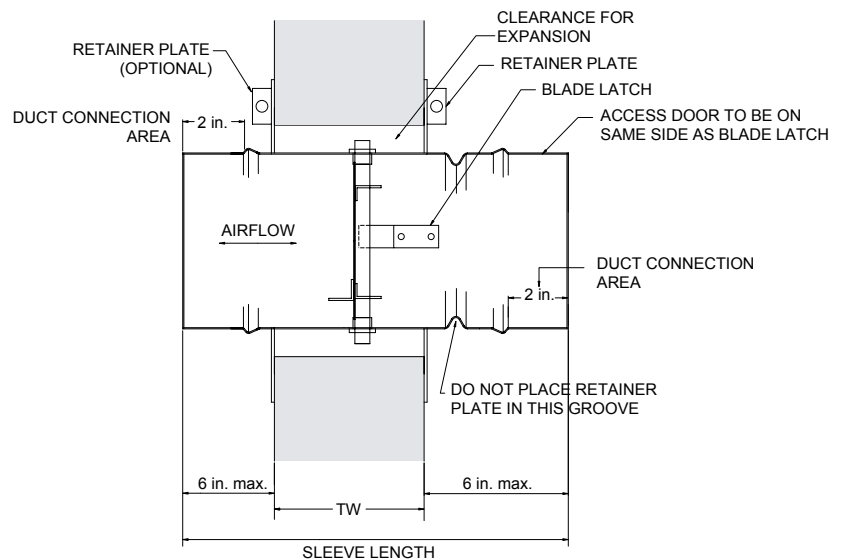
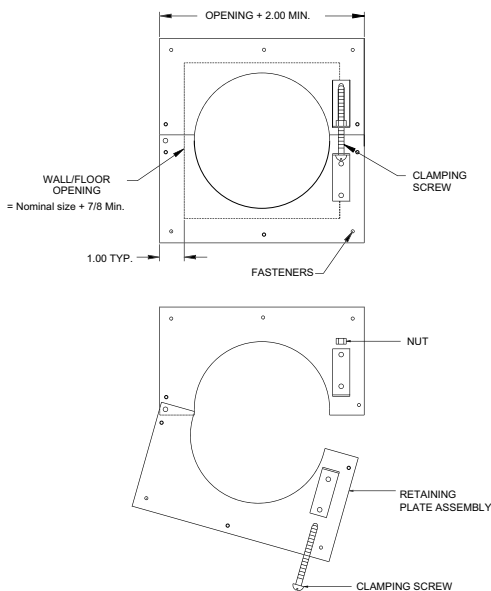
Model SEDFDR-510 meets the requirements for fire dampers established by:

National Fire Protection Association
 (NFPA Standards 80, 90A & 101)

Underwriters Laboratories Standard 555 (Listing #R-13317)
IBC International Building Codes



* These dimensions are furnished approximately 1/8 in. (3mm) smaller than nominal.



Installation instructions available at www.greenheck.com.

WALL THICKNESS	SLEEVE LENGTH
Up to 6.5	13.625
Up to 8.5	15.625
Up to 10.5	17.625
Over 10.5	Consult Greenheck