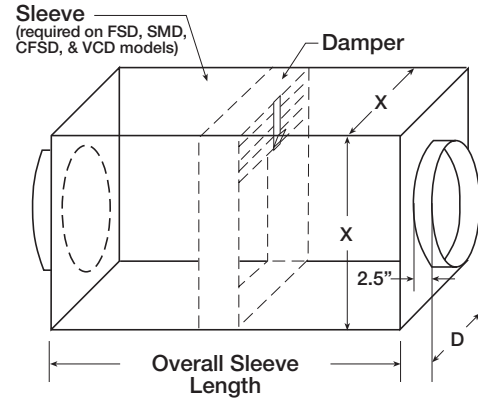


Application and Design

Round transitions are available as a 2 in. (51mm) offset, 1 in. (25mm) offset, or size on size. Type 'R' transitions are centered on end of sleeve for FSD, SMD, CFSD, and VCD models. Type 'R' transitions are centered on end of sleeve or damper frame for FD and DFD models.

2 in. Offset, 1 in. Offset, or Size on Size

Transitions	
2 in. (51mm) Offset	X = D+2 in.
1 in. (25mm) Offset	X = D+1 in.
Size On Size	X = D
X = Nominal outside dimensions of damper frame (1/4 in. [6mm] undersize)	
D = Nominal outside dimensions of round transition (1/8 in. [3mm] undersize)	



* Dimension are in inches (mm).

FD, DFD		Transitions	'D' Dimension					
			FD-150	FD-150X	FD-350	DFD-150	DFD-150X	DFD-350
Vertical Mount	Min. Size	2 (51) 1 (25) Size-on-Size	3 (76) 3 (76) 4 (102)	6 (152) 7 (178) n/a	3 (76) 3 (76) 4 (102)	3 (76) 3 (76) 4 (102)	6 (152) 7 (178) n/a	3 (76) 3 (76) 4 (102)
	Max. Size	2 (51) 1 (25) Size-on-Size	46 (1168) 47 (1194) 30 (762)	46 (1168) 47 (1194) n/a	46 (1168) 47 (1194) 30 (762)	34 (864) 35 (889) 30 (762)	34 (864) 35 (889) n/a	34 (864) 35 (889) 30 (762)
Horizontal Mount	Min. Size	2 (51) 1 (25) Size-on-Size	3 (76) 3 (76) 4 (102)	6 (152) 7 (178) n/a	3 (76) 3 (76) 4 (102)	3 (76) 3 (76) 4 (102)	6 (152) 7 (178) n/a	3 (76) 3 (76) 4 (102)
	Max. Size	2 (51) 1 (25) Size-on-Size	46 (1168) 47 (1194) 30 (762)	46 (1168) 47 (1194) n/a	38 (965) 39 (991) 30 (762)	28 (711) 29 (737) 30 (762)	28 (711) 29 (737) n/a	28 (711) 29 (737) 30 (762)

SMD, FSD, CFSD, VCD		Transitions	'D' Dimension					
			SMD	FSD	CFSD-1	CFSD-2	CFSD-3	VCD
Vertical Mount	Min. Size	2 (51) 1 (25) Size-on-Size	4 (102) 7 (178) 8 (203)	4 (102) 7 (178) 8 (203)	n/a n/a n/a	n/a n/a n/a	n/a n/a n/a	4 (102) 5 (127) 6 (152)
	Max. Size	2 (51) 1 (25) Size-on-Size	80 (2032) 80 (2032) 30 (762)	80 (2032) 80 (2032) 30 (762)	n/a n/a n/a	n/a n/a n/a	n/a n/a n/a	72 (1829) 72 (1829) 30 (762)
Horizontal Mount	Min. Size	2 (51) 1 (25) Size-on-Size	4 (102) 7 (178) 8 (203)	4 (102) 7 (178) 8 (203)	6 (152) 7 (178) 8 (203)	6 (152) 7 (178) 8 (203)	6 (152) 7 (178) 8 (203)	4 (102) 5 (127) 6 (152)
	Max. Size	2 (51) 1 (25) Size-on-Size	80 (2032) 80 (2032) 30 (762)	48 (1219) 49 (1245) 30 (762)	22 (559) 23 (584) 24 (610)	22 (559) 23 (584) 24 (610)	22 (559) 23 (584) 24 (610)	72 (1829) 72 (1829) 30 (762)