



Greenheck's one piece retaining angle, the POC (literally named for being a "Piece of Cake") makes damper installation a breeze. The POC angle is designed by fastening four pieces together to form one piece. When installed the angles simply wraps around the sleeve of the damper and is fastened in place.

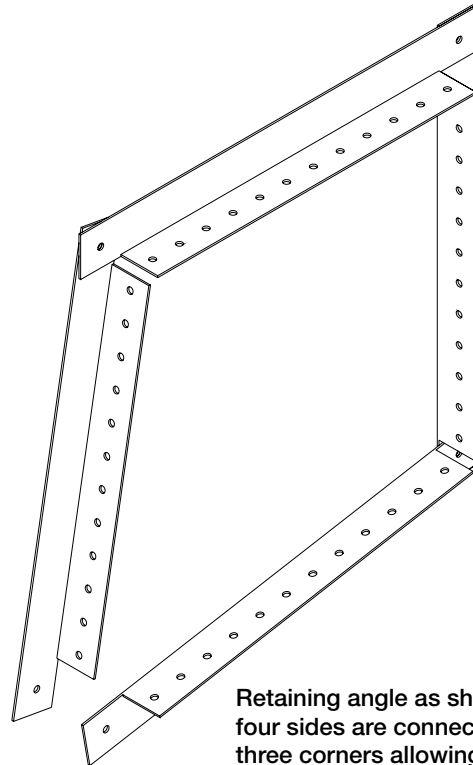
## **Construction**

20 ga. (1mm) or 16 ga. (1.5mm) galvanized steel.

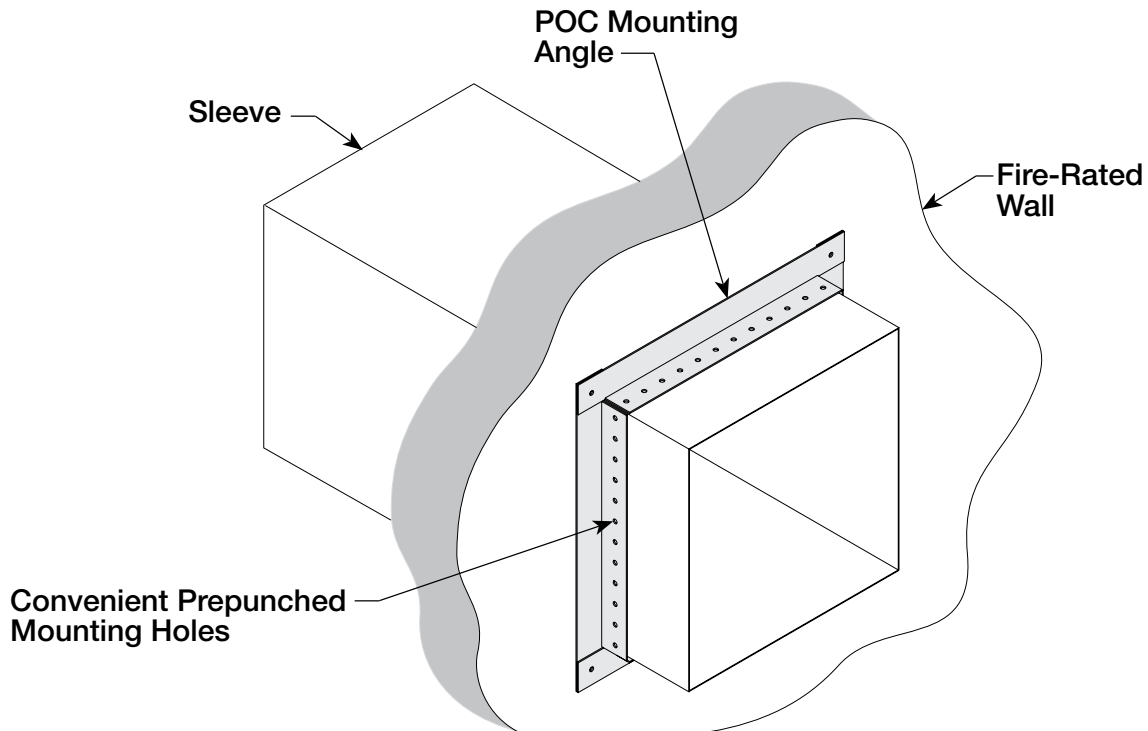
1 1/2 in. x 1 1/4 in. (38mm x 32mm) or  
2 1/2 in. x 1 1/2 in. (64mm x 38mm) for sizes greater than 48 inches (1219mm)

Retaining angles for 1 1/2 hour rated fire and combination fire smoke dampers with a width and height 48 in. (1219mm) or less must be a minimum of 20 ga. (1mm) steel. Retaining angles for all 3 hour rated dampers and all dampers with a width or height greater than 48 in. (1219mm) must be a minimum of 16 ga. (1.5mm). If damper width plus damper height is less than or equal to 44 in. (1117mm) then the POC angles ships in one piece. If damper width plus damper height is greater than 44 in. (1117mm) then the POC angles ships in two pieces.

Meets requirements of UL 555 and UL 555S.



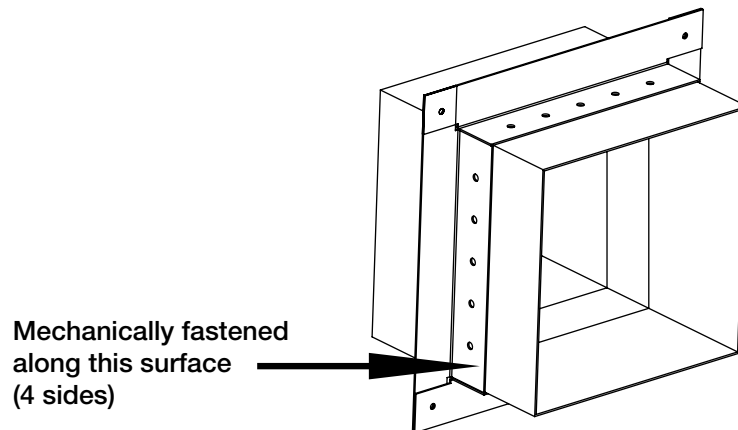
Retaining angle as shipped from factory. The four sides are connected together by rivets in three corners allowing for easy installation.



Retaining angle as mounted in the field. The POC angle wraps around the sleeve. The factory provides prepunched mounting holes to further simplify installation.

## Available retaining angle option:

- **Loose** - Angle/s ships unattached to the damper.
- **Single-Fastened** -Angles ships mechanically fastened to the damper sleeve at a specified location.



- **Wrapped** - Angle is wrapped around the damper sleeve and tied together.

