

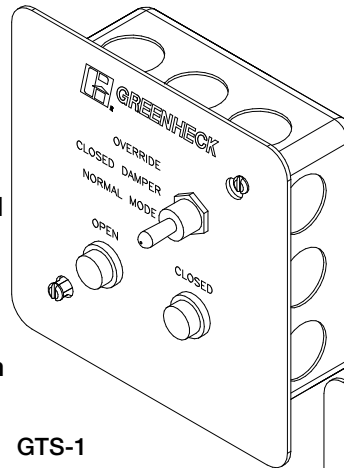
Greenheck Test Switches (GTS-1, GTS-2, GTS-3, and GTS-4) are used in dynamic smoke management systems containing Combination Fire Smoke Dampers.

The GTS-1 and GTS-2 is a single control panel for use in dynamic smoke management systems to be used on combination fire smoke dampers equipped with TOR.

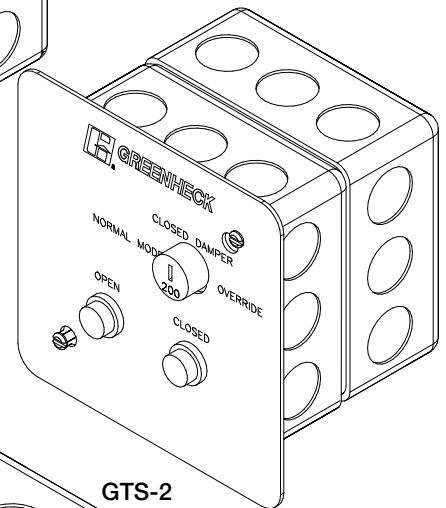
The GTS-1 control panel has red indicator light for closed damper, green for open damper. GTS-2 has a key switch with red indicator light for closed damper, green for open damper. The LED lights are replaceable.

The GTS-1 and GTS-2 has a three position control switch with the following options:

- **Normal** position - The combination fire smoke damper remains open until closed by elevated temperature.
- **Closed** position - The damper closes and remains closed regardless of any sensor signal.
- **Override** position - The damper opens and remains open until any limit sensor signals the damper to close.

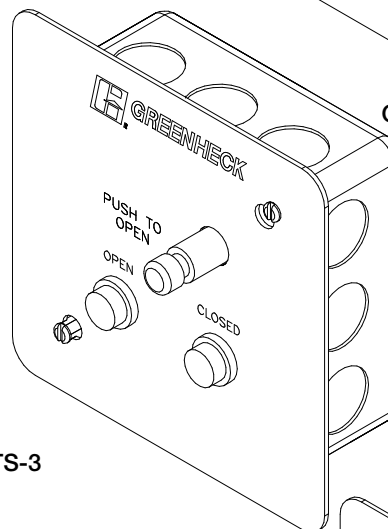


GTS-1



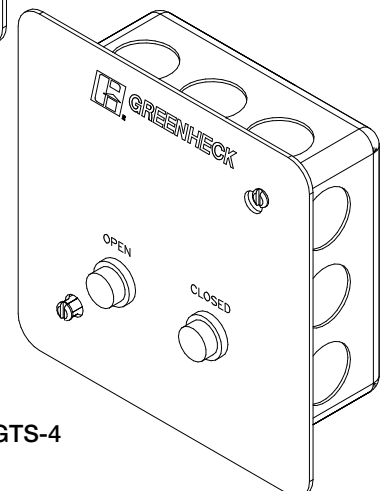
GTS-2

The GTS-3 is a control panel that can be used on combination fire smoke dampers with RRL/OCI or OCI. This test switch has open and close indicator lights with momentary test switch.



GTS-3

The GTS-4 is a control panel that can be used with combination fire smoke dampers with RRL/OCI, OCI or TOR. This test switch has open and close indicator lights.

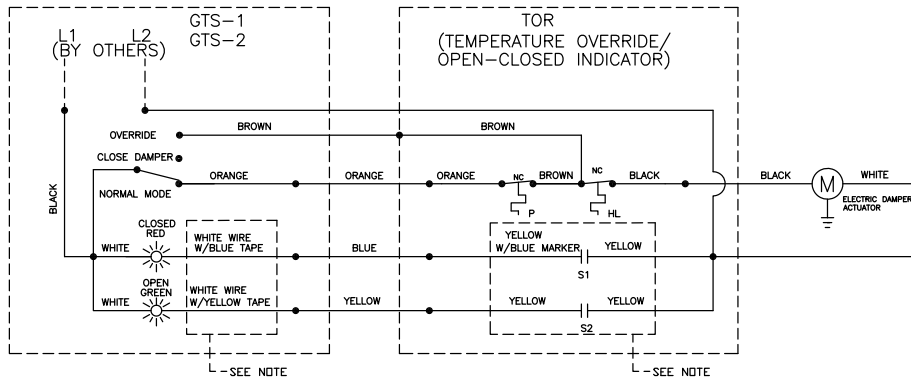


GTS-4

The GTS-1, GTS-3 and GTS-4 is available ship loose or factory mounted. GTS-2 is only available ship loose.

Wiring Diagrams

GTS-1 & GTS-2

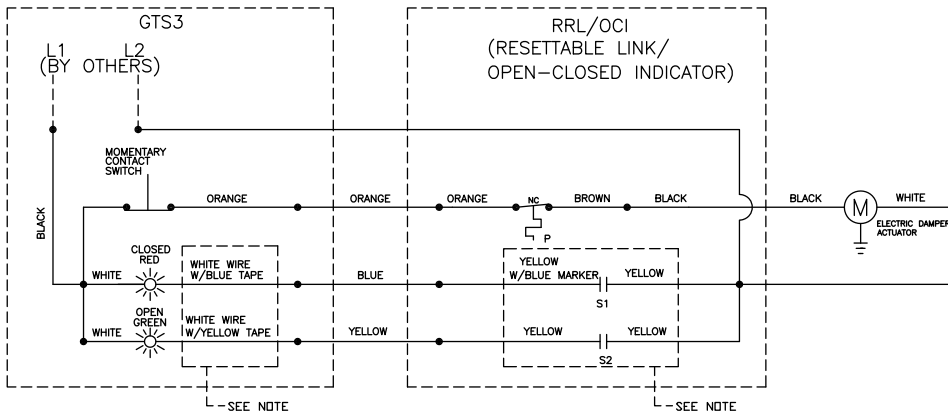


ELECTRICAL CAPACITY = 10AMP , 120 / 240 VAC

HL= HIGH LIMIT SENSOR
P = PRIMARY TEMP SENSOR
S1 = DAMPER POSITION INDICATION SWITCH, CLOSED WHEN DAMPER IS CLOSED.
S2 = DAMPER POSITION INDICATION SWITCH, CLOSED WHEN DAMPER IS OPEN

NOTE:
THE SWITCH WIRES WRAPPED WITH A BLUE TAPE MARKER INDICATE THE CLOSED POSITION OF THE DAMPER.
WHITE LIGHT WIRES ARE MARKED WITH BLUE AND YELLOW TAPE.

GTS-3

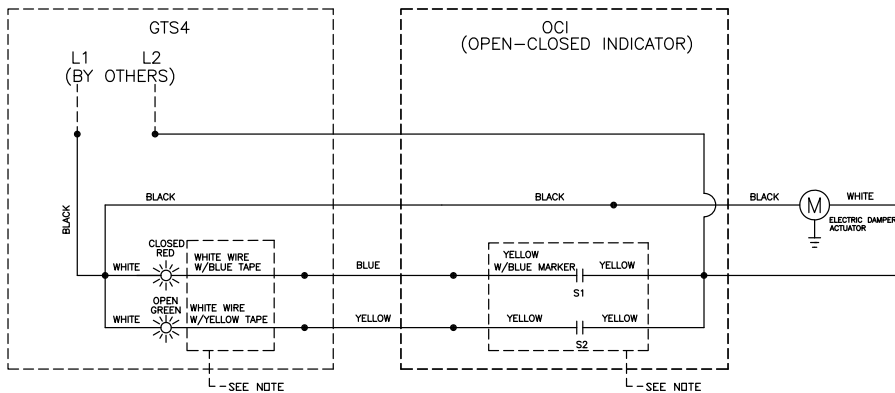


ELECTRICAL CAPACITY = 10AMP , 120 / 240 VAC

P = PRIMARY TEMP SENSOR
S1 = DAMPER POSITION INDICATION SWITCH, CLOSED WHEN DAMPER IS CLOSED.
S2 = DAMPER POSITION INDICATION SWITCH, CLOSED WHEN DAMPER IS OPEN

NOTE:
THE SWITCH WIRES WRAPPED WITH A BLUE TAPE MARKER INDICATE THE CLOSED POSITION OF THE DAMPER.
WHITE LIGHT WIRES ARE MARKED WITH BLUE AND YELLOW TAPE.

GTS-4



ELECTRICAL CAPACITY = 10AMP , 120 / 240 VAC

NOTE:
THE SWITCH WIRES WRAPPED WITH A BLUE TAPE MARKER INDICATE THE CLOSED POSITION OF THE DAMPER.
WHITE LIGHT WIRES ARE MARKED WITH BLUE AND YELLOW TAPE.



Copyright © 2011 Greenheck Fan Corporation
GTS-1, 2, 3, & 4 rev. 7 Oct 2011