

Application and Design

The GM-30 series is a vertical mounted backdraft damper that is designed to allow horizontal airflow and prevent reverse airflow. The damper is opened by air pressure differential with assistance from fully adjustable counterbalance weights to minimize pressure loss. The damper is closed by gravity.

Ratings

Pressure: 4.0 in. wg (1 kPa) - differential pressure.

Velocity: 2500 fpm (13 m/s)

Temperature: 180°F (82°C)

Standard Construction

Frame: 18 ga. (1.3mm) galvanized steel.

Blades: Heavy gauge 6063T5 extruded aluminum.
(0.070 in. [1.8mm] thickness)

Axles: ½ in. (13mm) dia. reinforced nylon.

Bearings: Synthetic (acetal) sleeve type.

Linkage: ½ in. (3mm) plated steel.

Blade Seals: Vinyl.

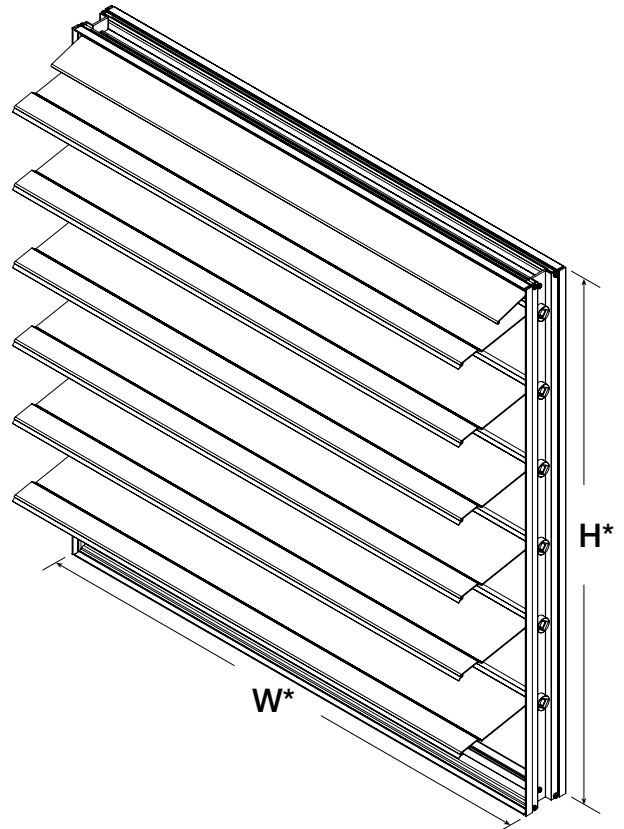
Size Limitations

Minimum Size: 11 in. W x 11 in. H
(279mm W x 279mm H)

Maximum Size: 48 in. W x 74 in. H
(1219mm W x 1880mm H)

Options and Accessories

- 1½ in. flange on discharge: GM-31
- 1½ in. flange on intake: GM-32



*W & H dimensions furnished approximately 1/8 in. (3mm) under size.

