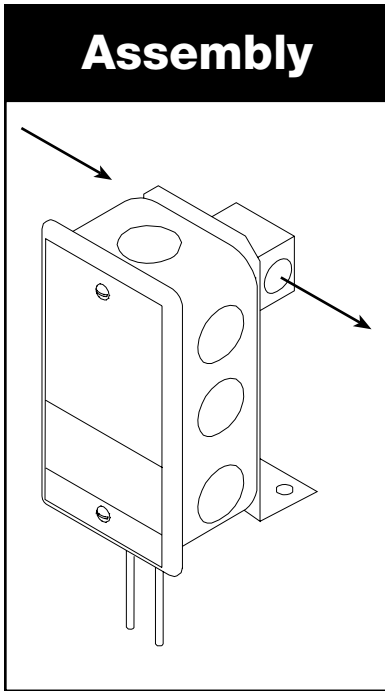
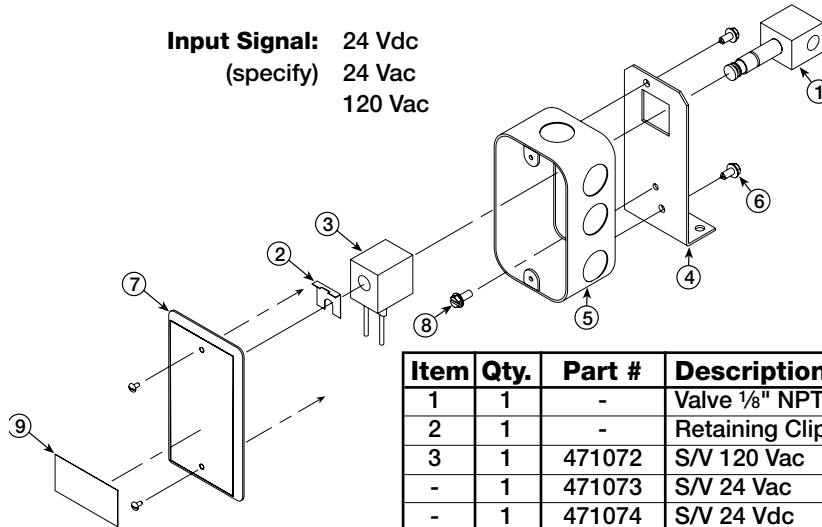


### Application & Design

An electro-pneumatic (EP) switch, also known as a three way solenoid valve, is used to electrically open and close a pneumatic actuated damper. It is wired in series with a normally closed thermostat when used with a fire smoke damper (FSD) to initiate closure at elevated temperatures. The EP switch can also be used on a smoke damper (SMD) to initiate closure when required in a smoke control system.



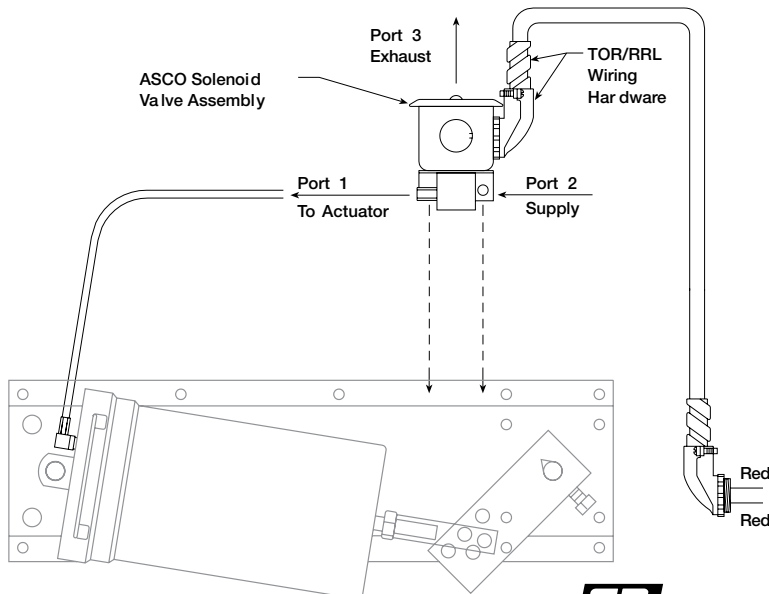
**Input Signal:** 24 Vdc  
(specify) 24 Vac  
120 Vac



Item	Qty.	Part #	Description	Kit #
1	1	-	Valve 1/8" NPT	
2	1	-	Retaining Clip	
3	1	471072	S/V 120 Vac	840810
-	1	471073	S/V 24 Vac	840811
-	1	471074	S/V 24 Vdc	840812
4	1	727064	Mounting Bracket	
5	1	380850	2 x 4 x 1.875 Ext. Box	
6	2	415555	#10 x 0.50 TEK Screw	
7	1	380257	2 x 4 Blank Cover	
8	1	415539	#10-32 HH Grounding Screw (green)	
9	1	454850	Label	

Kit #s include appropriate voltage solenoid valve shown under Item 3 and all other Item #s above.

### Typical Setup



Solenoid Valve With RRL

Solenoid Valve	RRL
Red	Orange
Red	Black

Solenoid Valve With TOR

Solenoid Valve	TOR
Red	Brown
Red	Orange
Red	Black
Red	Blue
Red	Red
Red	Purple
Red	Yellow