

Model DFDGB-150

1 1/2 Hour Fire Resistance Rating
Qualified to Standard GB 15930-1995

Application

Model DFDGB-150 is qualified to Standard GB 15930-1995 for closure in emergency fire situations. DFDGB-150 can be mounted horizontally or vertically.

Model DFDGB-150 meets the requirements for fire dampers established by:

National Fire Protection Association
(NFPA Standards 80, 90A & 101)

Ratings

GB 15930-1995 Fire Resistance Rating

Construction

Galvanized steel

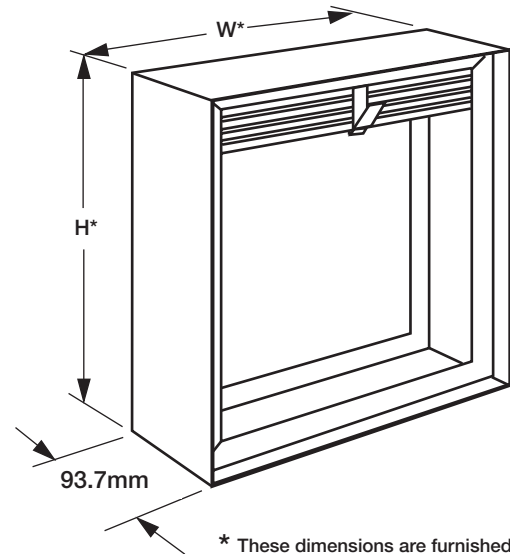
Features

- Stainless steel closure springs
- Fusible links 70°C
- Retaining angles

Size Limitations

Minimum Size: 102mm x 102mm (4 in. x 4 in.)

Maximum Size: 914mm x 914mm (36 in. x 36 in.)

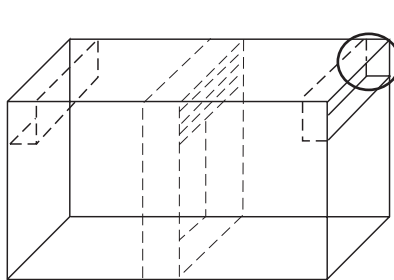
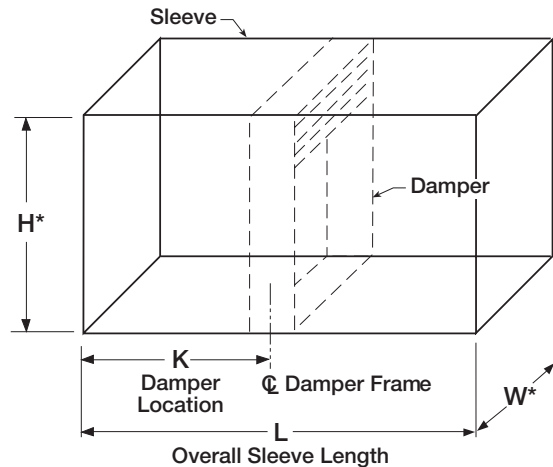


* These dimensions are furnished approximately 6mm (1/4 in.) undersized.

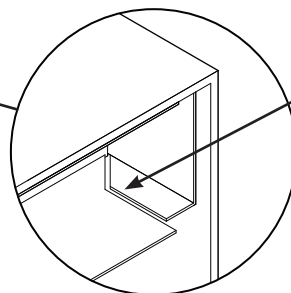
FACTORY SLEEVE OPTION

DFDGB-150 Fire Dampers are available in factory furnished sleeves. Sleeves are galvanized steel and are available in 1mm and 1.5mm (20 ga. and 16 ga.) thicknesses and lengths up to 914mm (36 in.).

“K” dimension specifies location of damper within the sleeve. Minimum is 102mm (4 in.), maximum is “L” less 102mm (4 in.), which allows for mounting angle installation and duct connection at each end of sleeve. If “K” dimension is not specified, it will be provided as one half of “L” dimension (damper centered in sleeve).



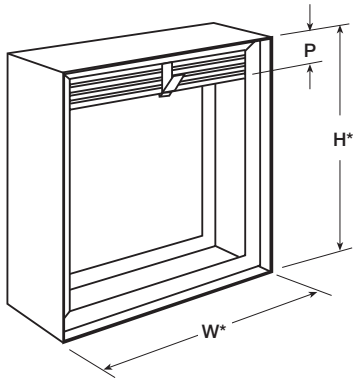
Type B with sleeve



Type B corner profile

When sealed option is selected, B transitions will need to be field sealed in the area where duct to sleeve connection is made.

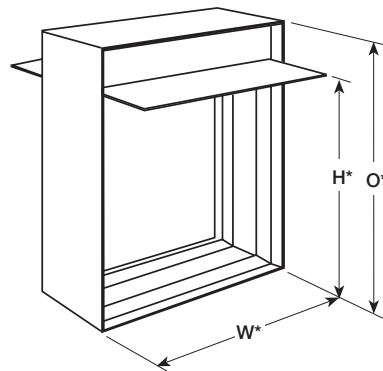
**DFDGB-150 Type A
Blade Stack
Dimensions**



H*	P
102	20
127	20
152	23
178	28
203	30
229	33
254	33
279	36
305	41
330	43
356	46
381	46
406	51
432	53
457	56
483	58
508	61
533	66
559	66
584	69
610	74
635	79
660	81
686	81
711	84
737	86
762	91
787	94
813	94
838	99
864	99
889	104
914	107

* All Dimensions are in mm. These dimensions are furnished approximately 6mm (1/4 inch) undersize.

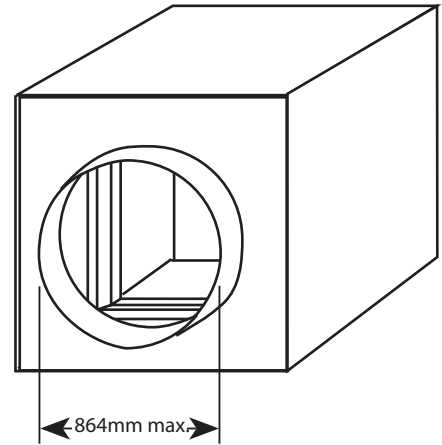
**DFDGB-150 Type B
Blade Stack
Dimensions**



H*	O*
76	127
102	152
127	178
152	203
178	229
203	254
229	279
254	305
279	330
305	356
330	381
356	406
381	457
406	483
432	508
457	533
483	559
508	584
533	610
559	660
584	686
610	711
635	737
660	762
686	787
711	813
737	838
762	864
787	889
813	914

* All Dimensions are in mm. These dimensions are furnished approximately 6mm (1/4 inch) undersize.

DFDGB-150 Type R



Sizing and Assembly Data

Transition is centered on damper frame.
Sizing based on 51mm offset.

SIZE LIMITATIONS

	Vertical or Horizontal
Minimum	76mm dia.
Maximum	864mm dia.

* All Dimensions are in mm. These dimensions are furnished approximately 6mm (1/4 inch) undersize.