



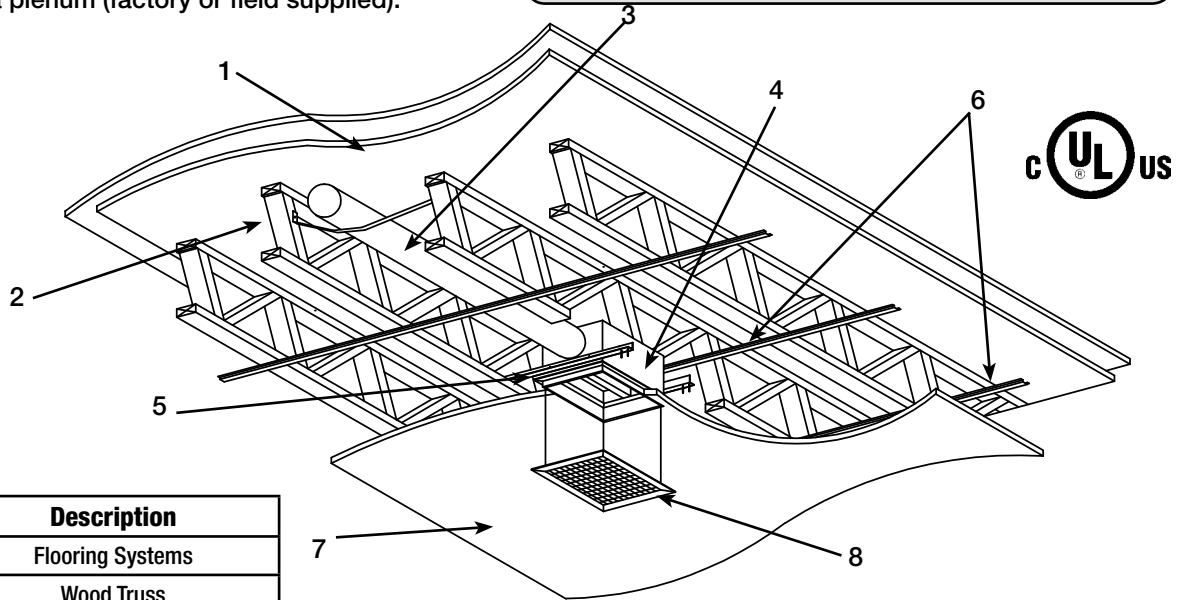
CRD-1WT

Ceiling Radiation Damper for Wood Truss Construction

The CRD-1WT is a UL classified ceiling radiation damper for installation in wood truss ceiling construction with ratings up to 1 hour. This model is approved for ceiling designs M-508 and P-554 as detailed in the UL Fire Resistance Directory.

The CRD-1WT provides the ceiling radiation damper with a plaster flange attached around the perimeter of the damper. The damper is positioned either flush with the ceiling for duct connection or above the ceiling for grille installation. The CRD-1WT damper must be installed with a plenum (factory or field supplied).

“UL CLASSIFIED
 (see complete marking on product)”
“UL CLASSIFIED to Canadian safety standards
 (see complete marking on product)”
 Standard 555C (Listing #R13446)
National Fire Protection Association:
 NFPA Standards 90A and 101
CSFM (California State Fire Marshal)
 Fire Damper Listing (#3225-0981:0101)



Number	Description
1	Flooring Systems
2	Wood Truss
3	Air Duct
4	CRD-1WT assembly
5	Mounting Angle
6	Resilient Channel
7	Gypsum Board
8	Grille (not supplied)

Features and Options

- Volume Controller
- Sealed Plenum box.

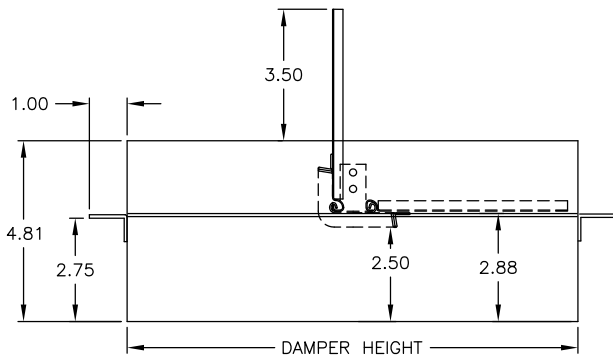
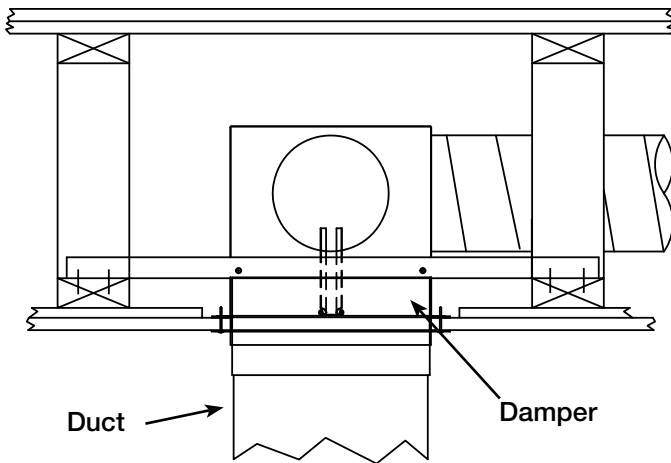
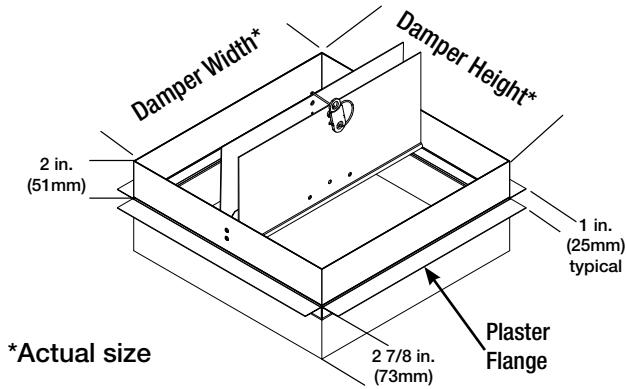
	Standard	Optional
Frame/Blade	Galvanized steel (in gauges required by UL listing)	
Closure Device	Fusible Link	Volume Controller
Closure Temperature	165°F (74°C)	212°F (100°C)
Mounting Style	Grille Mounted	Duct Mounted
Factory Supplied Plenum	None	Steel, Ductboard
First Collar Location	Height Side	Width Side, None
Second Collar Location	None	Inline, Right Side, Left Side

Damper Size Limitations		
W x H	Minimum	Maximum
in.	4 x 6	21 x 18
mm	102 x 152	533 x 457
Duct Collars		
in.	4	10*
mm	102	254

* Maximum combined area of plenum ports is 78½ sq. in. (1994 sq. mm).

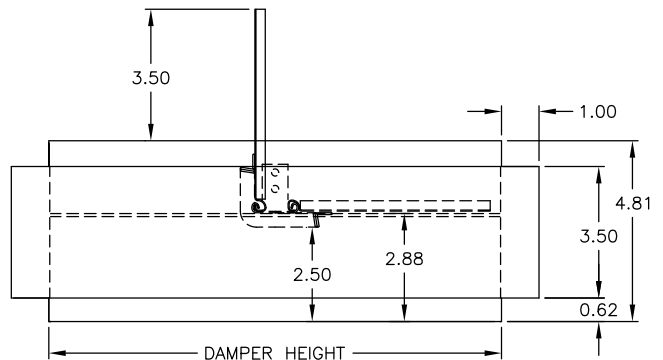
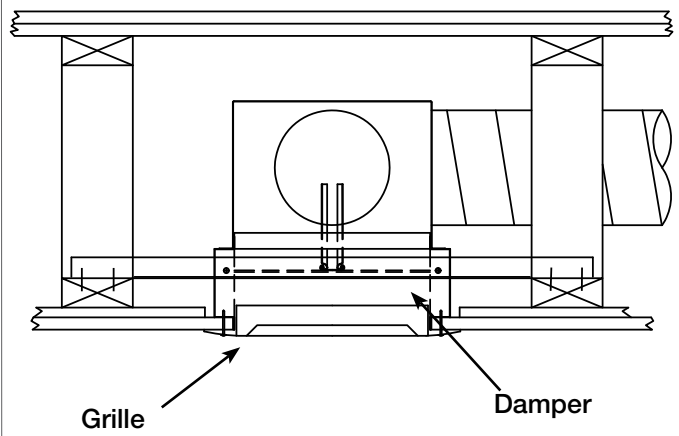
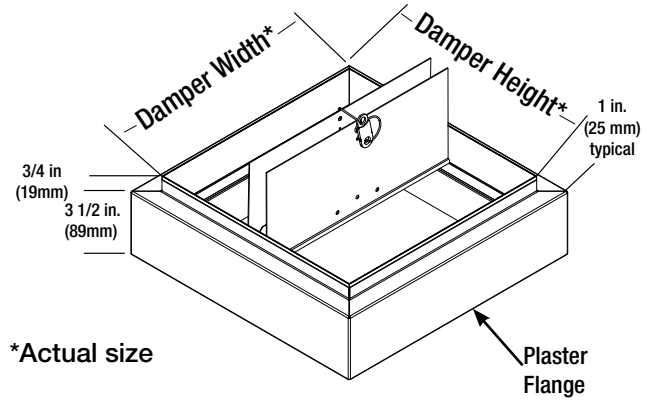
Damper Mounting Styles

Duct Mount



Blade Extension above the frame
 Duct mount = $(\text{Nominal Height}/2) - 2.375$

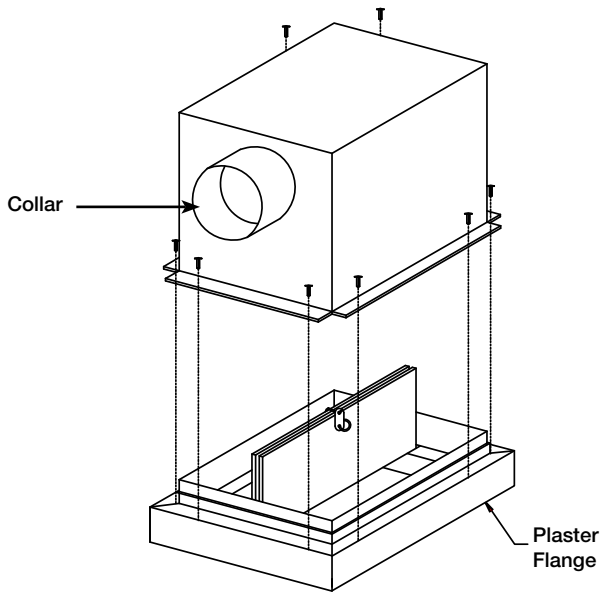
Grille Mount



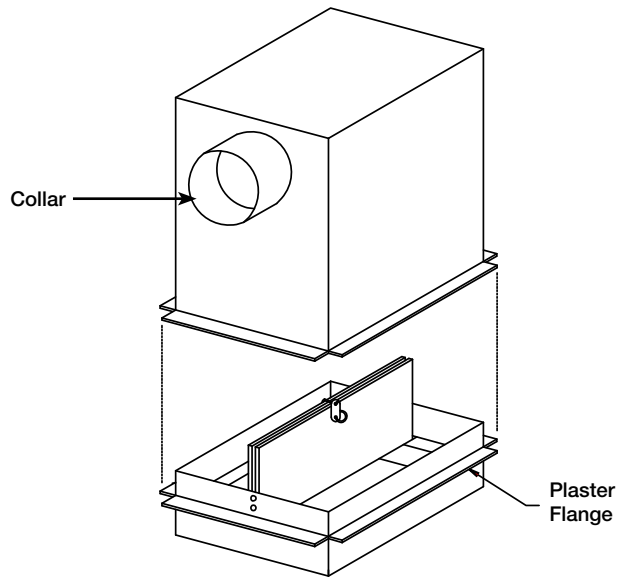
Blade Extension above the frame
 Grille mount = $(\text{Nominal Height}/2) - 2.375$

Factory Supplied Plenums (optional)

Steel Plenum

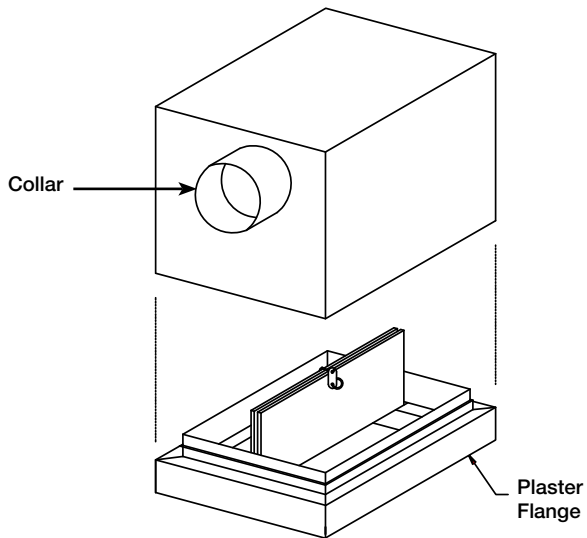


Damper and Steel Plenum Assembly
CRD-1WT Grille Mount

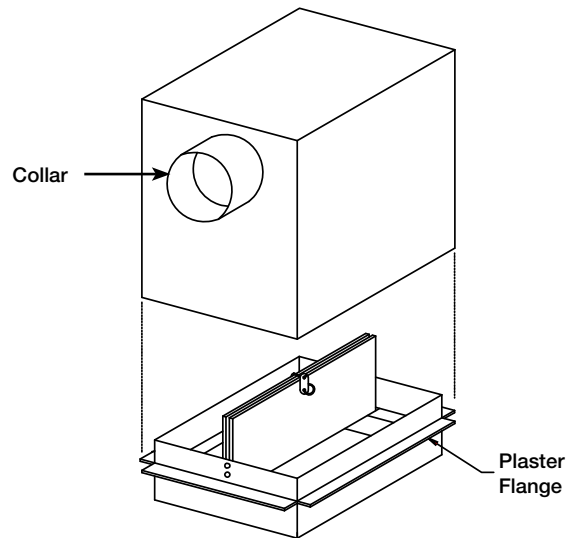


Damper and Steel Plenum Assembly
CRD-1WT Duct Mount

Duct Board Plenum



Damper and Duct Board Plenum Assembly
CRD-1WT Grille Mount

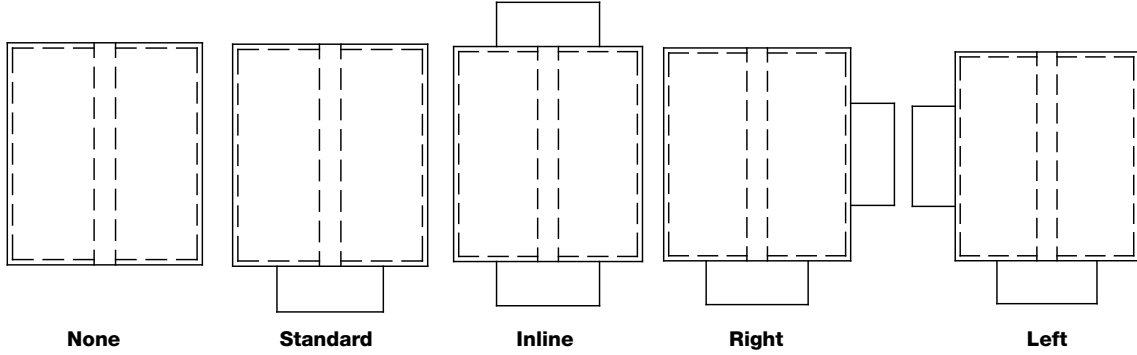


Damper and Duct Board Plenum Assembly
CRD-1WT Duct Mount

Plenum Collar Locations

Top View

Height Side



Width Side

