

Acoustical Louver J Blade

Application and Design

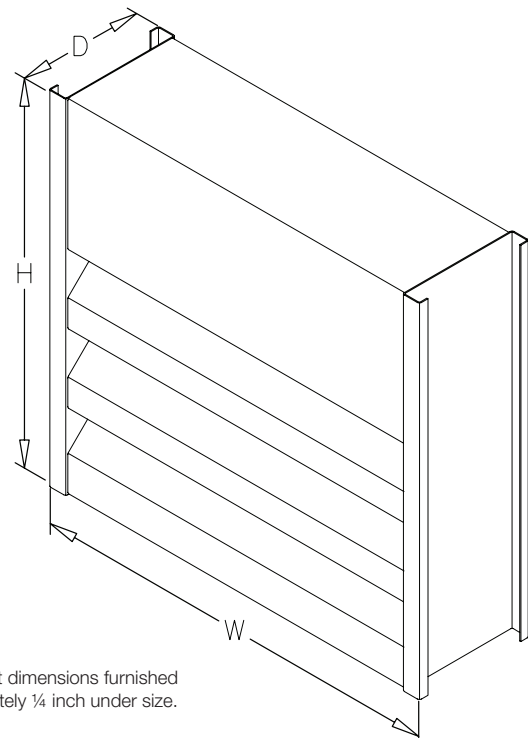
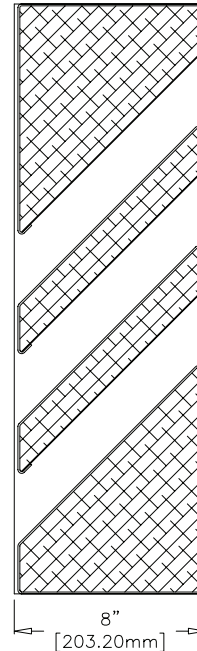
AFJ-801 is an acoustical weather louver designed to protect air intake and exhaust openings in building exterior walls. Design incorporates J style insulated acoustical blades and high free area to provide maximum resistance to sound transmission, rain and weather while providing minimum resistance to airflow. The AFJ-801 is an extremely efficient louver with **AMCA LICENSED PERFORMANCE DATA** enabling designers to select and apply with confidence.

Standard Construction

- Frame** Heavy gauge formed aluminum,
8 in. x 0.080 in. nominal wall thickness
- Blades** J style, heavy gauge formed aluminum,
0.080 in. nominal wall thickness, positioned
at 45° on approximately 5 in. centers
- Construction** . . . Mechanically fastened
- Acoustical
Insulation** Fiberglass Insulation
- Birdscreen** 3/4 in. x 0.051 flattened expanded aluminum in
removable frame, inside mount (rear)
- Finish** Mill
- Minimum Size** . . 12 in. W x 15 in. H
- Maximum Single
Section Size** . . . 60 in. W x 120 in. H

Options (at additional cost)

- A variety of bird and insect screens
- Blank off panels
- Clip angles
- Extended sill
- Filter racks
- Flanged frame
- Galvanized steel frame and blade
- Security bars
- Welded construction
- A variety of architectural finishes including:
 - Clear anodize
 - Integral color anodize
 - Baked enamel paint
 - Kynar paint



*Width and height dimensions furnished approximately 1/4 inch under size.

PERFORMANCE DATA

AFJ-801

Free Area Chart (Sq. ft.)

**J Blade Acoustical Louver
Formed Aluminum**

| Louver Height Inches | Louver Width Inches | | | | | | | | |
|----------------------|---------------------|------|------|------|------|-------|-------------|-------|-------|
| | 12 | 18 | 24 | 30 | 36 | 42 | 48 | 54 | 60 |
| 15 | 0.12 | 0.21 | 0.29 | 0.37 | 0.45 | 0.53 | 0.61 | 0.69 | 0.77 |
| 18 | 0.12 | 0.21 | 0.29 | 0.37 | 0.45 | 0.53 | 0.61 | 0.69 | 0.77 |
| 24 | 0.25 | 0.41 | 0.57 | 0.74 | 0.90 | 1.06 | 1.22 | 1.38 | 1.55 |
| 30 | 0.50 | 0.82 | 1.15 | 1.47 | 1.80 | 2.12 | 2.44 | 2.77 | 3.09 |
| 36 | 0.62 | 1.03 | 1.43 | 1.84 | 2.24 | 2.65 | 3.05 | 3.46 | 3.86 |
| 42 | 0.75 | 1.24 | 1.72 | 2.21 | 2.69 | 3.18 | 3.67 | 4.15 | 4.64 |
| 48 | 0.87 | 1.44 | 2.01 | 2.58 | 3.14 | 3.71 | 4.28 | 4.84 | 5.41 |
| 54 | 1.00 | 1.65 | 2.30 | 2.94 | 3.59 | 4.24 | 4.89 | 5.54 | 6.18 |
| 60 | 1.25 | 2.06 | 2.87 | 3.68 | 4.49 | 5.30 | 6.11 | 6.92 | 7.73 |
| 66 | 1.37 | 2.26 | 3.16 | 4.05 | 4.94 | 5.83 | 6.72 | 7.61 | 8.50 |
| 72 | 1.50 | 2.47 | 3.44 | 4.41 | 5.39 | 6.36 | 7.33 | 8.30 | 9.27 |
| 78 | 1.62 | 2.68 | 3.73 | 4.78 | 5.84 | 6.89 | 7.94 | 8.99 | 10.05 |
| 84 | 1.75 | 2.88 | 4.02 | 5.15 | 6.28 | 7.42 | 8.55 | 9.69 | 10.82 |
| 90 | 2.00 | 3.29 | 4.59 | 5.89 | 7.18 | 8.48 | 9.77 | 11.07 | 12.37 |
| 96 | 2.12 | 3.50 | 4.88 | 6.25 | 7.63 | 9.01 | 10.38 | 11.76 | 13.14 |
| 102 | 2.25 | 3.71 | 5.16 | 6.62 | 8.08 | 9.54 | 11.00 | 12.45 | 13.91 |
| 108 | 2.37 | 3.91 | 5.45 | 6.99 | 8.53 | 10.07 | 11.61 | 13.15 | 14.68 |
| 114 | 2.50 | 4.12 | 5.74 | 7.36 | 8.98 | 10.60 | 12.22 | 13.84 | 15.46 |
| 120 | 2.75 | 4.53 | 6.31 | 8.09 | 9.88 | 11.66 | 13.44 | 15.22 | 17.00 |



Greenheck Fan Corporation certifies that the AFJ-801 louvers shown herein are licensed to bear the AMCA Seal. The ratings shown are based on tests and procedures performed in accordance with AMCA Publication 511 and comply with the requirements of the AMCA Certified Ratings Program. The AMCA Certified Ratings Seal applies to water penetration, air performance and sound ratings.

Sound Transmission Class

The Sound Transmission Class (STC) is a rating of the effectiveness of an assembly in isolating or reducing airborne sound transmission. STC is a single number that summarizes airborne sound transmission loss data. Assemblies with higher STC ratings are more efficient at reducing sound transmission. STC is determined in accordance with ASTM E413-04.

Transmission Loss

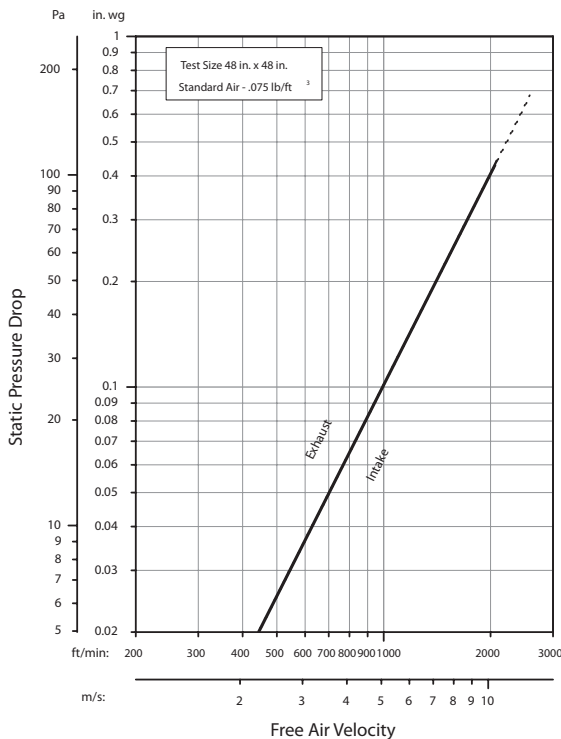
Transmission loss (TL) is a measurement of the reduction of sound power transmission (dB) through an assembly at a given frequency. The more sound power that is reduced, the greater the TL. TL is tested in accordance with ASTM E90-04.

Free Field Noise Reduction in Decibels

Free Field Noise Reduction is determined by adding 6 dB to the Transmission Loss.

| Octave Band | 2 | 3 | 4 | 5 | 6 | 7 | STC |
|---------------------------------|-----|-----|-----|------|------|------|-----|
| Frequency (Hz) | 125 | 250 | 500 | 1000 | 2000 | 4000 | 12 |
| Transmission Loss (dB) | 5 | 5 | 7 | 13 | 22 | 14 | |
| Free Field Noise Reduction (dB) | 11 | 11 | 13 | 19 | 28 | 20 | |

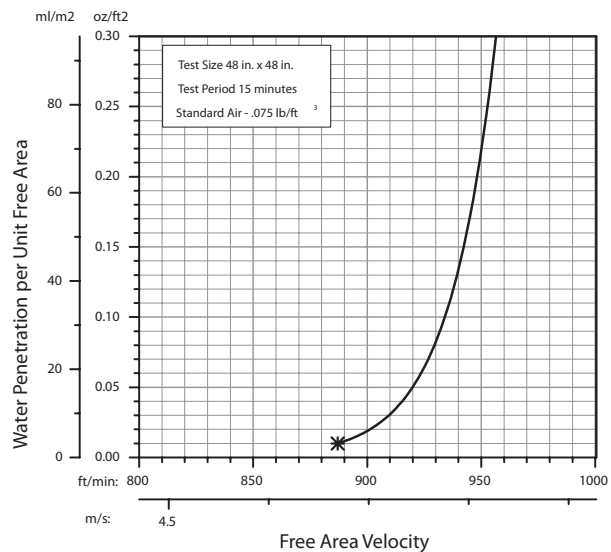
Airflow Resistance (Standard Air - .075 lb/ft³)



Model AFJ-801 resistance to airflow (pressure drop) varies depending on louver application (air intake or air exhaust). Free area velocities (shown) are higher than average velocity through the overall louver size. See louver selection information.

Water Penetration (Standard Air - .075 lb/ft³)

Test size 48 in. x 48 in. Test duration of 15 min.



The AMCA Water Penetration Test provides a method for comparing various louver models and designs as to their efficiency in resisting the penetration of rainfall under specific laboratory test conditions. The beginning point of water penetration is defined as that velocity where the water penetration curve projects through .01 oz. of water (penetration) per sq. ft. of louver free area. ***The beginning point of water penetration for Model AFJ-801 is 887 fpm free area velocity.** These performance ratings do not guarantee a louver to be weatherproof or stormproof and should be used in combination with other factors including good engineering judgement in selecting louvers.



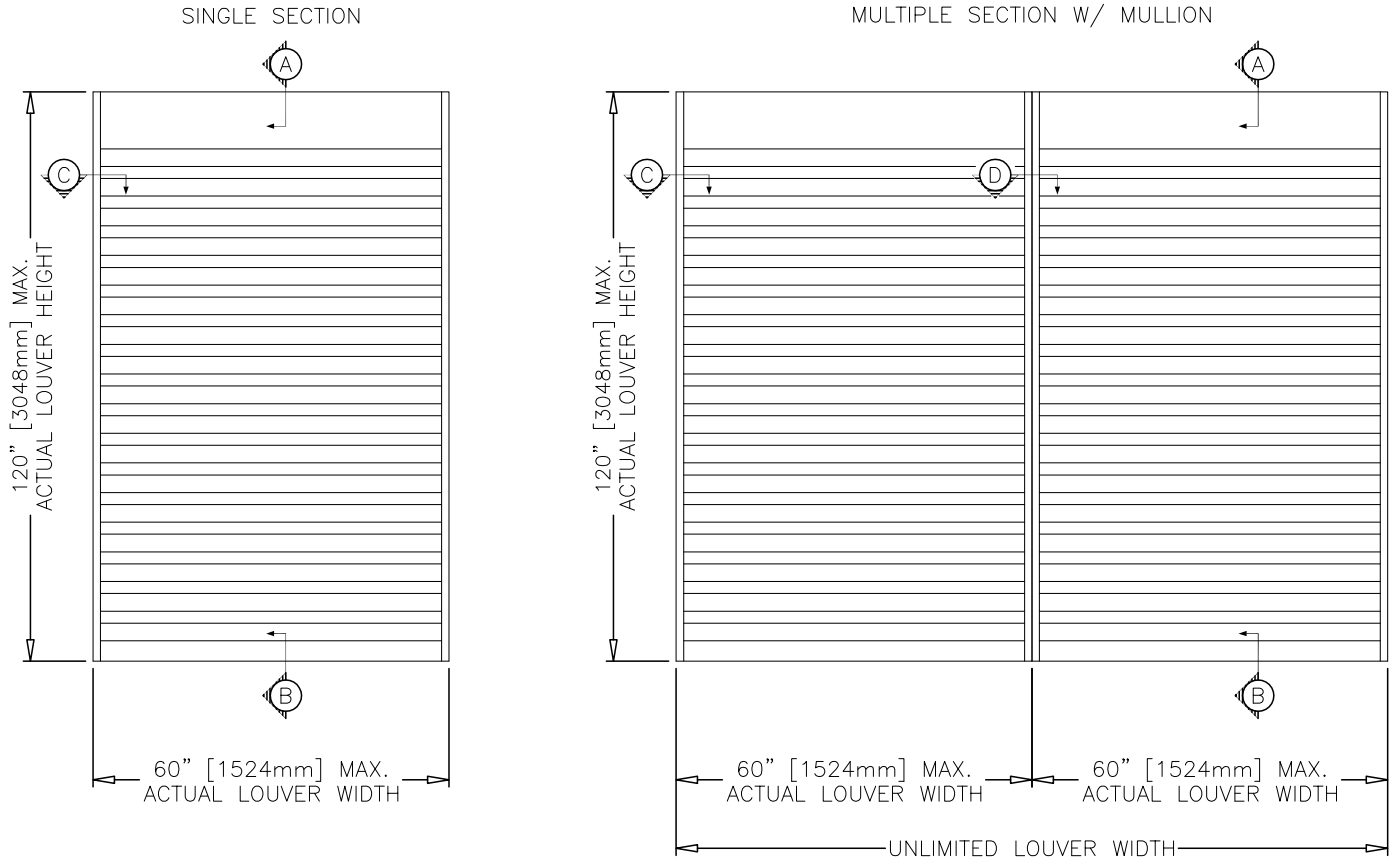
INSTALLATION DETAILS

AFJ-801

Maximum Size and Installation Information

J Blade Acoustical Louver
Formed Aluminum

Maximum single section size for model AFJ-801 is 60 in. W x 120 in. H. Larger openings require field assembly of multiple louver panels to make up the overall opening size. Individual louver panels are designed to withstand a 25 PSF wind-load (please consult Greenheck if the louvers must withstand higher wind-loads). Structural reinforcing members may be required to adequately support and install multiple louver panels within a large opening. Structural reinforcing members along with any associated installation hardware is not provided by Greenheck unless indicated otherwise by Greenheck. Additional information on louver installation may be found in AMCA Publication #501, Louver Application Manual.



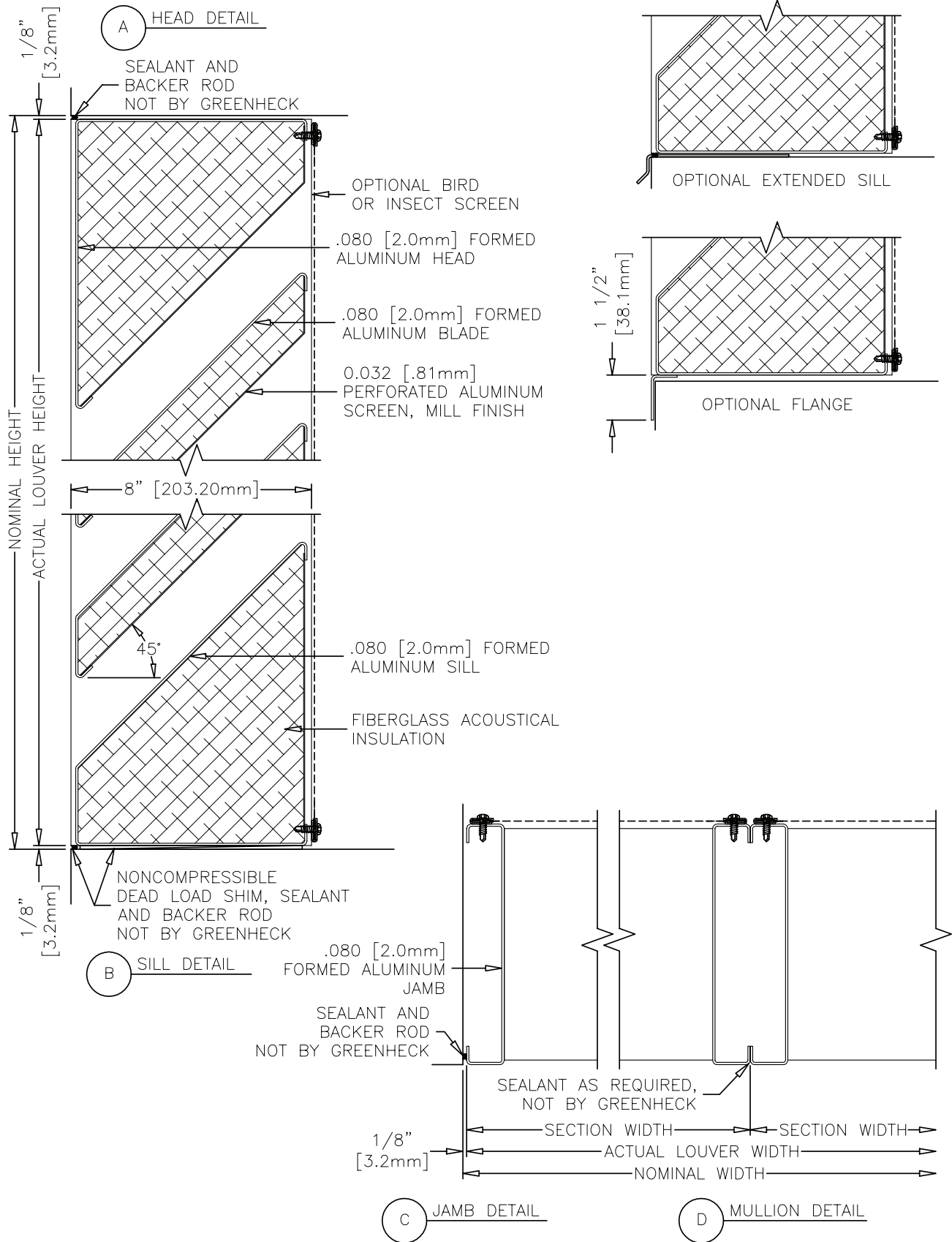
Minimum Single Section Size
12 in. W x 15 in. H

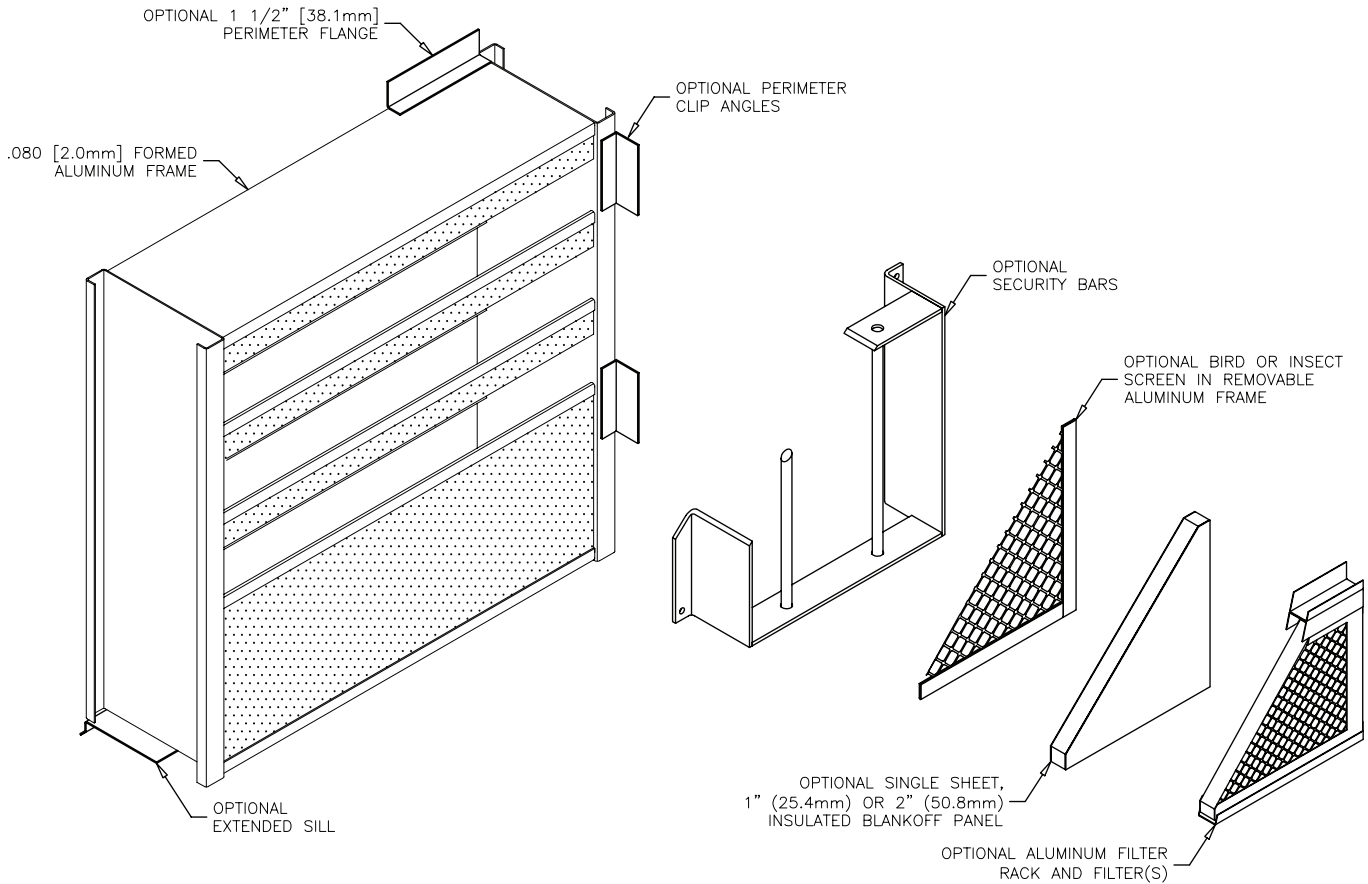
Maximum Single Section Size
60 in. W x 120 in. H

PRODUCT DETAILS

AFJ-801

J Blade Acoustical Louver
Formed Aluminum





FINISHES

| Finish Type | Description/Application | Color Selection | Standard Warranty (Aluminum) |
|--|--|--|---|
| 2-coat 70% KYNAR 5000®/HYLAR 5000® AAMA 2605 – Dry film thickness 1.2 mil. (AKA: Duranar®, Fluoropon®, Trinar®, Fluoropolymer, Polyvinylidene Fluoride, PVDF2) | “Best.” The premier finish for extruded aluminum. Tough, long-lasting coating has superior color retention and abrasive properties. Resists chalking, fading, chemical abrasion and weathering. | Standard Colors: Any of the 24 standard colors shown can be furnished in 70% or 50% KYNAR 5000®/HYLAR 5000® or Baked Enamel. 2-Coat Mica: Greenheck offers 9 standard 2-coat Mica colors. Other colors are available. Consult Greenheck for possible extra cost when selecting non-standard colors or special finishes. | 10 Years (Consult Greenheck for availability of extended warranty) |
| 2-coat 50% KYNAR 5000®/HYLAR 5000® AAMA 2604 – Dry film thickness 1.2 mil. (AKA: Acroflur®, Acrynar®) | “Better.” Tough, long-lasting coating has excellent color retention and abrasive properties. Resists chalking, fading, chemical abrasion and weathering. | | 5 Years |
| Baked Enamel AAMA 2603 – Dry film thickness 0.8 mil. (AKA: Acrabond Plus®, Duracron®) | “Good.” Provides good adhesion and resistance to weathering, corrosion and chemical stain. | | 1 Year |
| Integral Color Anodize AA-M10C22A42 (>0.7 mil) | “Two-step” anodizing is produced by following the normal anodizing step with a second, colorfast process. | Light, Medium or Dark Bronze; Champagne; Black | 5 years |
| Clear Anodize 215 R-1 AA-M10C22A41 (>0.7 mil) | Clear, colorless and hard oxide aluminum coating that resists weathering and chemical attack. | Clear | 5 years |
| Clear Anodize 204 R-1 AA-M10C22A31 (0.4-0.7 mil) | Clear, colorless and hard oxide aluminum coating that resists weathering and chemical attack. | Clear | 1 Year |
| Industrial coatings | Greenheck offers a number of industrial coatings such as Hi-Pro Polyester, Epoxy, and Permatector®. Consult a Greenheck Product Specialist for complete color and application information. | | Consult Greenheck |
| Mill | Materials may be supplied in natural aluminum or galvanized steel finish when normal weathering is acceptable and there is no concern for color or color change. | | n/a |

Finishes meet or exceed AAMA 2605, AAMA 2604, and AAMA 2603 requirements. Please consult www.greenheck.com for complete information on standard and extended paint warranties. Paint finish warranties are not applicable to steel products.

