

Radial Blowers



Model IPO, IPW and IPA Belt Drive Open and Radial Tip

Industrial fans are engineered and built for reliable operation in harsh environments where high static pressures and material handling requirements are encountered.

Performance

IPO and IPW capacities range from 800 to 20,000 cfm
 IPA capacities range from 1,500 to 22,000 cfm
 Up to 22 in. wg of static pressure

Standard Construction

Fully welded scroll housing
Wheel - welded, heavy-gauge steel <ul style="list-style-type: none"> • open radial material handling • wool, backplate type material handling • industrial air handling
Minimum bearing life of L ₁₀ 80,000 hours (Average life - L ₅₀ 400,000 hours)
Available in arrangements 1, 9 and 10
Final assembly vibration analysis
Permatector™ protective powder coating

Options and Accessories

Guards - inlet, outlet, shaft	Structural base for isolation
Totally enclosed belt guard	Access door - bolted, quick opening
Flanges - inlet, outlet, companion	Shaft seal
Drain connection	Extended lube lines
Isolators	Weatherhood (Arrangement 10)
Structural base with motor slide base*	Decorative or protective powder coating

*Arrangement 1 only must be mounted on structural base with motor slide base. See Greenheck's Structural Bases information on page 124 for additional details or visit www.greenheck.com



Greenheck Fan Corporation certifies that the Model IPO, IPW and IPA shown herein are licensed to bear the AMCA seal. The ratings shown are based on tests and procedures performed in accordance with AMCA Publication 211 and comply with the requirements of the AMCA Certified Ratings Program.

AMCA Licensed Air Performance is found in Greenheck's catalog, Industrial Process Fans Catalog Supplement, October 2002

Model	Best Available Program
Sizes 13 through 19 Arrangements 1, 9 and 10	10 Days

Wheel Types



Industrial Process Open Wheel

Open material handling wheels are suitable for material handling such as wood chips, abrasives and dust.



Industrial Process Wool Wheel

The wool wheel, or backplate material handling wheel, is designed for handling long, fibrous, stringy material such as paper or yarn.



Industrial Process Air Handling Wheel

Air handling wheels are designed for applications ranging from clean air exhaust to light material handling.



Plenum



Belt



Direct

Best Available Program
10 Days

Direct and Belt Drive

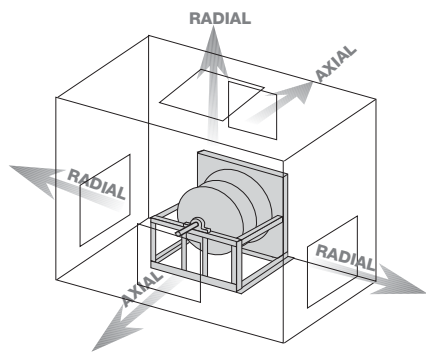
Plenum fans are designed for clean air handling applications where the fan operates unhooded within a pressurized plenum with airstream temperatures up to 200°F. The compact size of the plenum fan makes it an excellent selection for retrofit and replacement applications and in variable air volume systems.

Performance

Capacities up to 210,000 cfm and 12 in. wg of static pressure.

Standard Construction
Wheel - aluminum, airfoil, 12-bladed
Heavy-gauge spun inlet cone
Minimum bearing life of L ₁₀ 80,000 hours (Average life - L ₅₀ 400,000 hours)
Final assembly vibration analysis
Options and Accessories
Protective cage
Guard - inlet, shaft
Totally enclosed belt guard
Inlet collars, flanges, and screens
Extended lube line kit
Extended life bearings
Decorative or protective powder coating

Typical Installation



	Mounting	Arrangement
	Horizontal* Belt Drive	1, 3
	Horizontal** Motor on Frame (Top) Belt Drive	3, 9
	Horizontal** Motor on Frame (Side) Belt and Direct Drive	3, 9
	Vertical and Horizontal Direct Drive	4

*Arrangement 1 & 3 units with horizontal mounting must be mounted on an isolation base.
**Not available with isolation base.

