

# Indoor Air Handlers



## Model VFCD Direct Drive and VFC Belt Drive

Vertical fan coils provide a low-cost method of air conditioning and/or heating for applications requiring a small footprint. These units utilize a steel double-wall cabinet construction with hinged motor access.

### Quick Build Performance

Capacities range from 300 to 4,000 cfm and up to 1.5 in. wg (VFCD) or 3.3 in. wg (VFC).

Standard Construction	VFCD	VFC
Double-wall construction	■	■
Side access panel - hinged, removable	■	■
Internal isolation		■
Stainless steel drain pan	■	■
Easy slide-out motor and scroll	■	
Options and Accessories	VFCD	VFC
Internal spring isolation		■
Coils - hot water, chilled water, direct expansion and steam	■	■
Prefilters - vertical, aluminum mesh or 2- or 4-inch, pleated, (30 or 65% efficiencies)	■	■

74

**Best Available Program**

10 Days

*Best Available based on size and accessories.*



Increased rigidity  
Formed access panels



Excellent IAQ  
Double-wall construction



Less noise, less vibration  
Internal spring isolation (VFC)



Quality ensures longevity  
Stainless steel drain pan



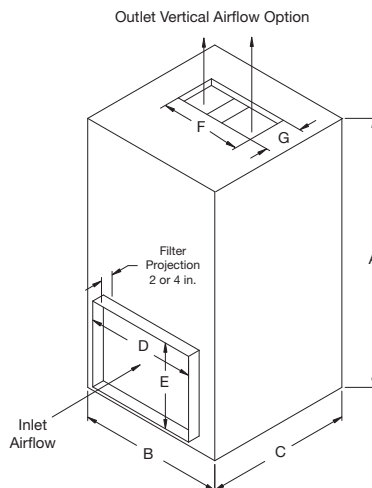
Easy slide-out motor and scroll (VFCD)

### Dimensions for VFCD, VFC

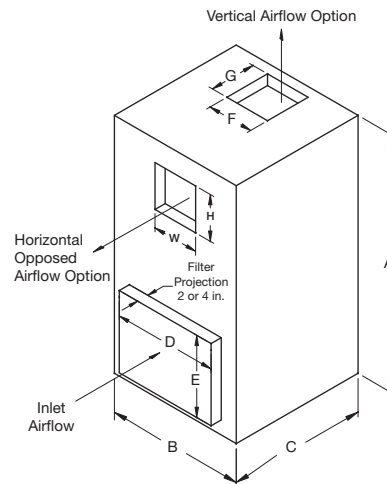
Model Size	A		B	C	Inlet		Outlet			
	VFCD	VFC			D	E	F		G	
							VFCD	VFC	VFCD	VFC
600	40	40	24	24	18	22	5.50	6.75	5.50	4.00
800	40	40	24	24	18	22	7.25	6.75	5.50	6.50
1300	44		24	28	18	22	18.00	8.50	5.63	8.00
1600	44		30	28	22	22	18.00	9.00	5.63	9.00
2000	52		34	28	29	23	26.00	10.00	5.63	9.00
2400	52		34	28	29	23	26.00	10.00	5.63	10.25
3000	52		50	32	45	22	32.88	12.75	10.38	12.00

All dimensions are in inches.

#### VFCD



#### VFC





LFC



MSCF

## Model LFC and MSCF

Model LFC and MSCF provide a low-cost method of air conditioning and/or heating a building or specific space. These units come standard with a low-profile, double-wall constructed cabinet designed to fit in tight ceiling spaces. They utilize two types of forward-curved wheels providing a wide performance range and quiet operation.

### Quick Build Performance

Capacities range from 360 to 5,300 cfm and up to 4.5 in. wg.

Best Available Program

10 Days

Best Available based on size and accessories.

76



Easy installation  
Modular construction (MSCF only)



Quick, easy maintenance filter module



Quality ensures longevity  
Stainless steel drain pan



Less noise, less vibration  
Internal spring isolation



Excellent IAQ  
Double-wall construction



Increased rigidity  
Formed access panels



Mix air evenly  
Mixing box module

### Standard Construction

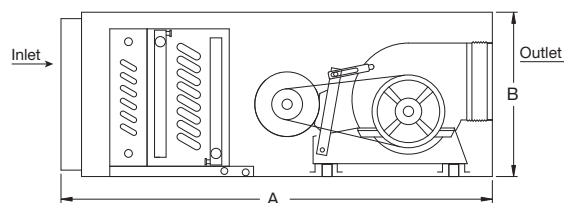
- Low-profile - as short as 11 inches (LFC)
- Modular construction (MSCF)
- Double-wall construction
- Two access panels per module
- Internal isolation
- Stainless steel drain pan

### Module Selection

Pre and/or post access plenums (MSCF only)	Prefilter (LFC, MSCF)
Heating coils - hot water and steam	Postfilters (MSCF only)
Cooling coils - chilled water and DX	Mixing box
Reheat coils	

### Options & Accessories

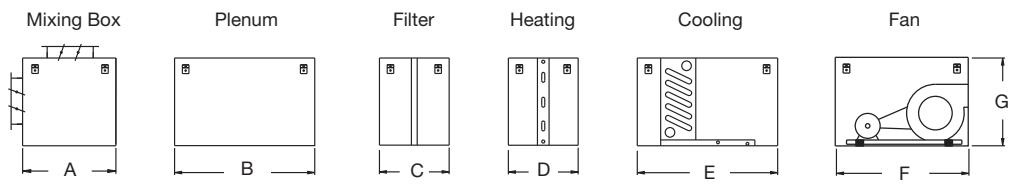
- Wheel - backward-inclined (MSCF only)
- Internal spring isolation
- Coils - hot water, chilled water, direct expansion and steam
- Prefilter - vertical or sloped, 2- or 4-inch, pleated or aluminum, 30, 65 or 95% efficiencies
- Mixing box - with or without dampers, with or without filters, inlet configuration any two of top, end, bottom, right or left



### Dimensions for LFC

Model Size	A			B	Width	Inlet		Outlet	
	Without Filter	w/ 2 in. Filter	w/ 4 in. Filter			Height	Width	Height	Width
15	40	42	44	11.0	38	9.0	36	4.00	6.75
20	40	42	44	14.0	38	12.0	36	6.50	6.75
25	40	42	44	16.0	38	14.0	36	8.00	8.50
30	45	47	49	18.5	38	16.5	36	9.00	9.00
45	45	47	49	18.5	50	16.5	48	9.00	10.00
50	48	50	52	21.0	50	19.0	48	10.25	10.00
65	52	54	56	26.0	50	24.0	48	12.00	12.75
85	52	54	56	26.0	62	24.0	60	12.00	15.00

All dimensions are in inches.



### Dimensions for MSCF

Model Size	A		B		C		D		E	F	G	Unit Width	Inlet		Outlet	
	Without Filter	With Filter	12 in.	24 in.	Vertical	Sloped	Hot Water 1 & 2 Row	Hot Water and Steam 4 Row					Height	Width	Height	Width
15	11.0	24.5	12.75	24.5	12.75	24.5	12.75	15.5	24.5	25	11.0	38	9.0	36	4.0	6.75
20	14.0	24.5	12.75	24.5	12.75	24.5	12.75	15.5	24.5	25	14.0	38	12.0	36	6.50	6.75
25	16.0	27.0	12.75	24.5	12.75	27.0	12.75	15.5	24.5	29	16.0	38	14.0	36	8.0	8.50
30	18.5	31.0	12.75	24.5	12.75	31.0	12.75	15.5	24.5	32	18.5	38	16.5	36	9.0	9.00
45	18.5	32.0	12.75	24.5	12.75	32.0	12.75	15.5	24.5	32	18.5	50	16.5	48	9.0	10.00
50	21.0	32.0	12.75	24.5	12.75	32.0	12.75	15.5	24.5	38	21.0	50	19.0	48	10.0	10.25
65	26.0	38.0	12.75	24.5	12.75	38.0	12.75	15.5	24.5	42	26.0	50	24.0	48	12.0	12.75
85	26.0	38.0	12.75	24.5	12.75	38.0	12.75	15.5	24.5	42	26.0	62	24.0	60	12.0	15.00

All dimensions are in inches. For complete dimensional information, see CAPS submittal drawings.