

Air Circulators



UL/cUL Listed 507 is standard on In Stock models.

20

Best Available Program

In Stock

Model IC and ICO Direct Drive

Air circulator fans are non-oscillating and oscillating direct-driven two-speed fans designed for air movement in humid and demanding applications and are suitable for spot cooling and recirculating air in factories, warehouses, manufacturing facilities, and garages. Fan heads utilize a vertical locking tilt adjustment for directing air where it is needed. A required mounting accessory is to be purchased separately.

Quick Delivery Performance

IC capacities range from 3,055 to 9,704 cfm.
ICO capacities range from 3,055 to 9,612 cfm.

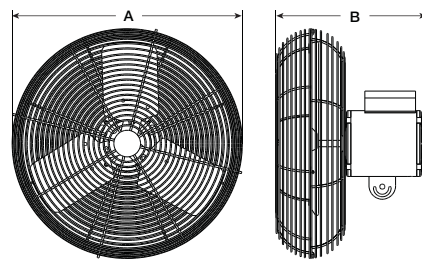
Standard Construction

- Propeller - three-bladed, aluminum
- OSHA compliant polyester powder-coated wire guard
- Totally enclosed air over permanent split capacitor motor
- Factory-wired, 10 foot power cord with 3-conductor plug
- 2-speed pull chain switch - operation OFF-LOW-OFF-HIGH
- Ball bearings
- Maximum ambient temperature of 104°F
- Oscillating units sweep through 45° or 90° arc

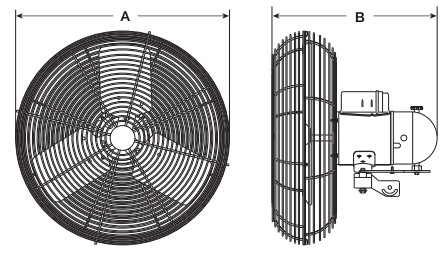
Options and Accessories

- Pedestal mount
- Pedestal wheel kit
- Wall/post/ceiling mount bracket
- Suspension mount bracket (IC)
- I-beam mount bracket (IC)

IC* - Non-Oscillating



ICO - Oscillating



Dimensions for IC*, ICO

Model Size	Propeller Diameter	A	B	Model Size	Propeller Diameter	A	B
IC - Non-Oscillating				ICO - Oscillating			
20	20	23	12¾	20	20	23	17¾
24	24	27	13¾	24	24	27	17¾
30	30	33	13¾	30	30	33	17¾

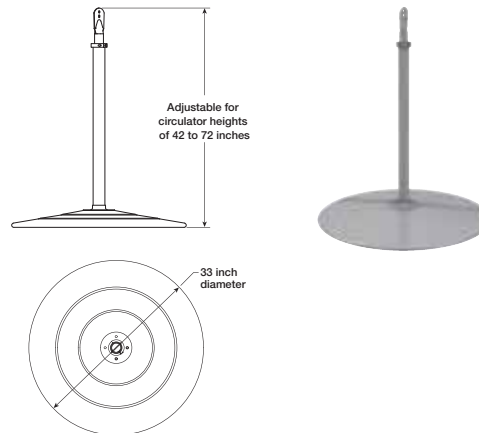
All dimensions are in inches.
*Model IC fans cannot be ceiling hung.

Accessories

Pedestal and Pedestal Wheel Kit

Pedestal
PED-CG72-QD
Pedestal Wheel Kit
PED-WK-QD

Pedestal is designed to station non-oscillating and oscillating air circulator fans. It is constructed of steel and is UL Listed when used with Greenheck's air circulator fans. Includes adjustable column with mounting holes for circulator heights of 42 to 72 inches. Pedestal has a gray polyester powder coating. The wheel kit accommodates the pedestal to provide easy movement of a fan. Wheel kit brackets are constructed of steel.

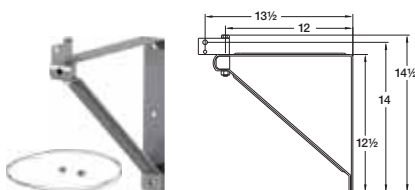


Mounting Brackets

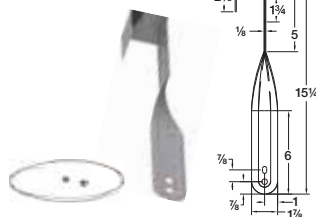
Wall, Post, Ceiling
BKT-WPC-100-QD
Suspension
BKT-SPN-100-QD
I-Beam
BKT-IBM-100-QD

Mounting brackets are designed to mount non-oscillating and oscillating air circulator fans from walls, posts, ceiling beams, rafters or columns to provide multidirectional airflow. Accessories have prepunched mounting holes and are UL Listed when used with Greenheck's air circulator fans. The suspension bracket is not intended for use with oscillating circulators. The wall/post/ceilings bracket includes a small swivel bracket allowing circulators to pivot from left to right and is not recommended for use with oscillating circulators when ceiling mounted. The I-beam bracket is not intended for use with oscillating circulators. Includes a removable yoke adapter to add additional length if required.

BKT-WPC



BKT-SPN



BKT-IBM

