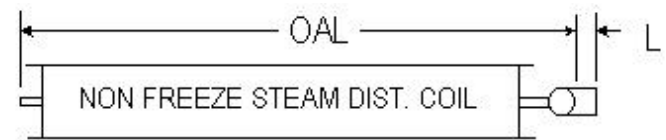
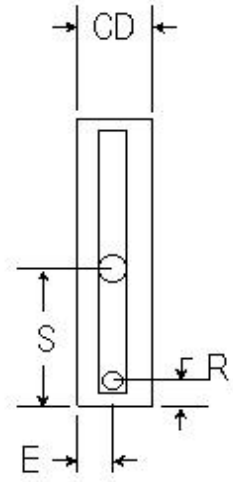
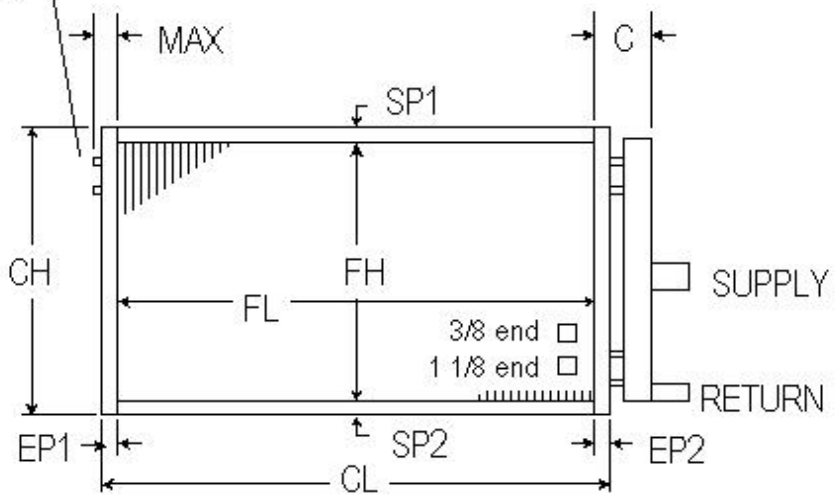


STEAM DISTRIBUTING

ROWS AVAILABLE	1	2			
FPI AVAILABLE	6 11	7 12	8 13	9 14	10
TUBES OD & Wall Thickness <i>COPPER ONLY</i>	5/8	.025 . .035			
FINS Material & Thickness	ALUM.	.006	.010		
	COPPER	.006			
CASING	16 GA. GALV. STEEL 16 GA. STAINLESS STEEL				
HEADERS <i>COPPER ONLY</i>	1 ROW	2 5/8			
	2 ROW	3 1/8			



Spun Closed Ends



DIMENSIONAL DATA IN INCHES

ITEM	QTY	ROWS	FPI	SP1	FH	SP2	CH	EP1	FL	EP2	CL	MAX	C	OAL	L	CD	S	E	R	E

CONNECTION SIZES		
□ MPT	SWEAT	FPT
SUPPLY	RETURN	CU
		STL

P.O. #	CUSTOMER																		
W.O. #	MODEL NO.																		
APPROVED BY	TAG:																		
DATE	NOTES																		



Performance Data	CFM		EAT		LAT		CAPACITY		STEAM PRESSURE (psig)	
------------------	-----	--	-----	--	-----	--	----------	--	-----------------------	--