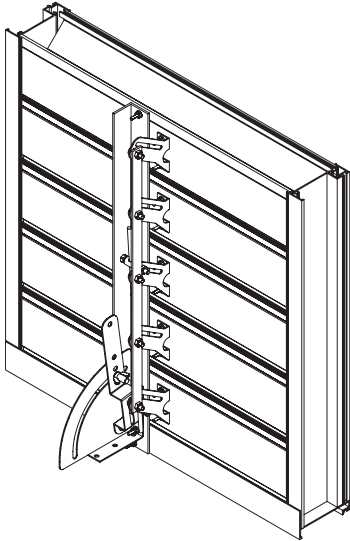
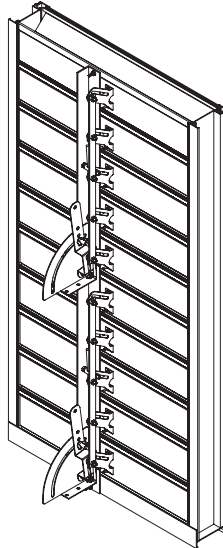


Manual Quad Actuator11-1FBC-1, 11-2FVC-1, 21-2FHC-1, 11-3FVC-1,
21-4FVC-1 and 31-3FHC-1 Drive Arrangements**Installation, Operation, and Maintenance Instructions**

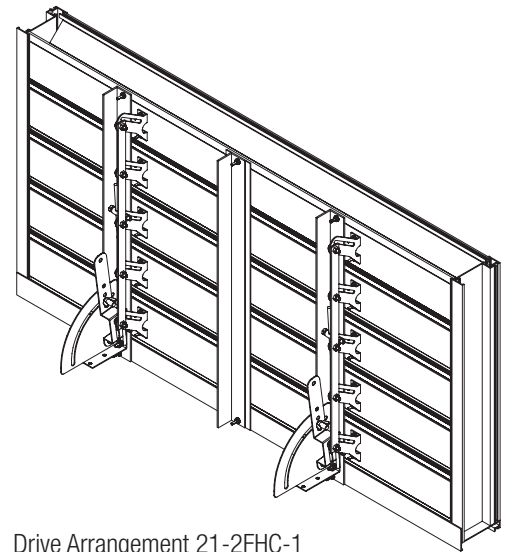
This manual is the property of the owner, and is required for future maintenance.
Please leave it with the owner when the job is complete.



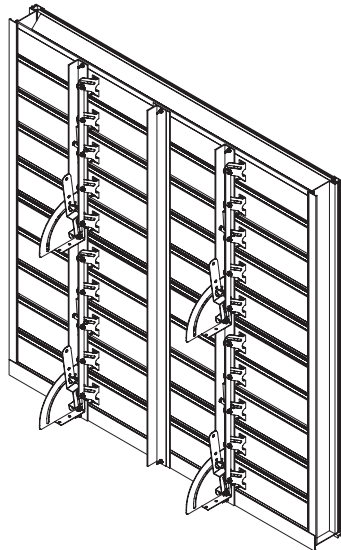
Drive Arrangement 11-1FBC-1



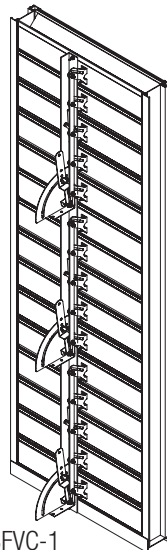
Drive Arrangement 11-2FVC-1



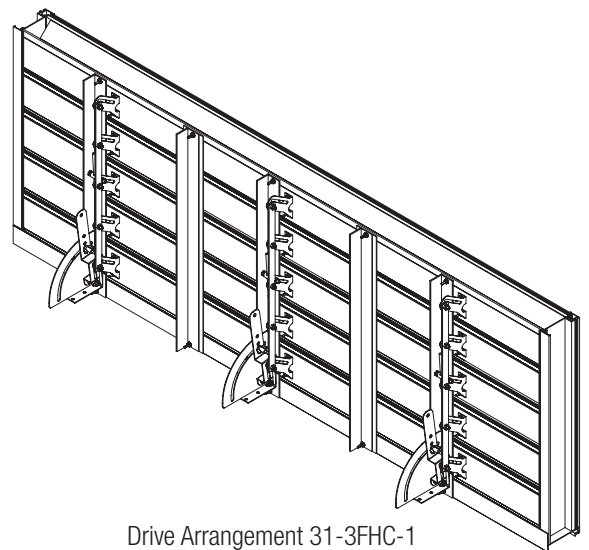
Drive Arrangement 21-2FHC-1



Drive Arrangement 21-4FVC-1



Drive Arrangement 11-3FVC-1

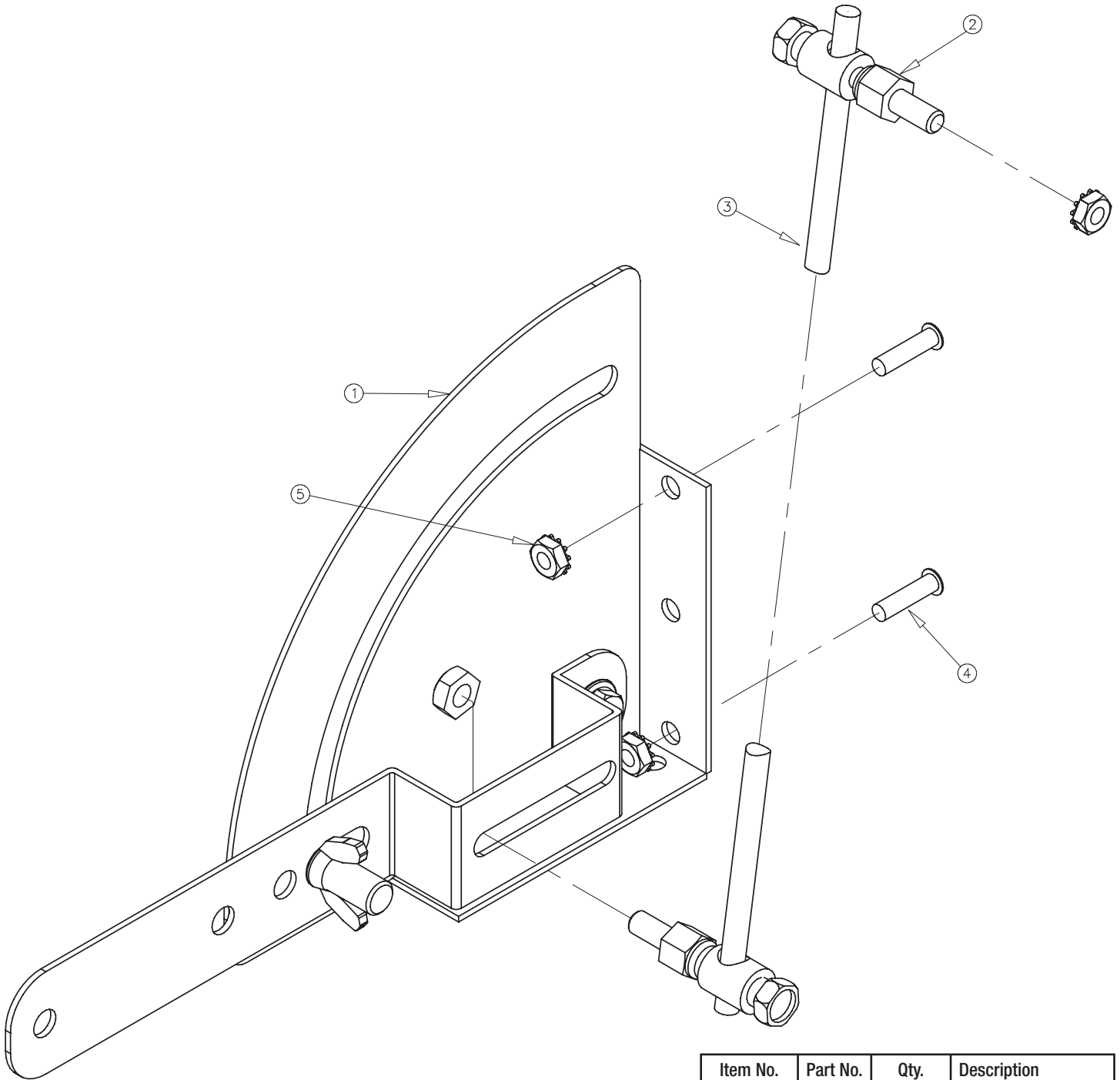


Drive Arrangement 31-3FHC-1

Note: This drawing depicts how the actuator looks after installation. The louver shown is intended to be a general representation and the actual louver model may vary. Reference the drawing on page 2 for an exploded view and parts list.

SAFETY WARNING:

Improper installation, adjustment, alteration, service or maintenance can cause property damage, injury or death. Read the installation, operating, and maintenance instructions thoroughly before installing or servicing this equipment.



Item No.	Part No.	Qty.	Description
1	851264	1	Manual Quadrant
2	451554	2	1/4" Ball Swivel
3	656473	1	16"x5/16 Galvanized Rod
4	416052	2	10-32 Threadstud
5	415991	2	10-32 Hex Nut