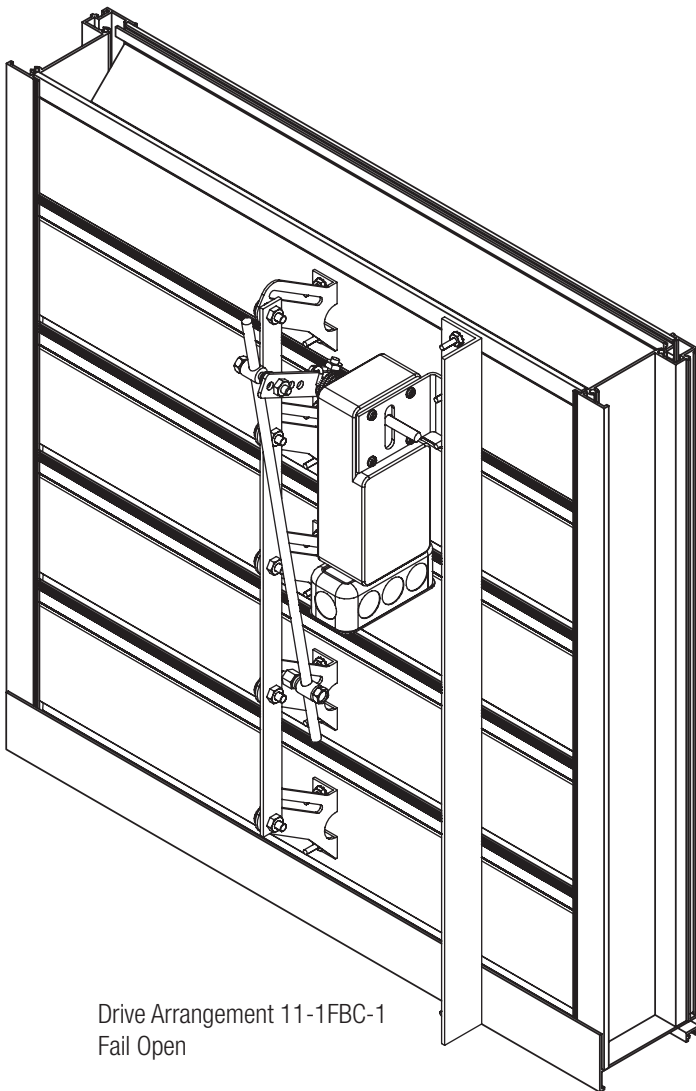
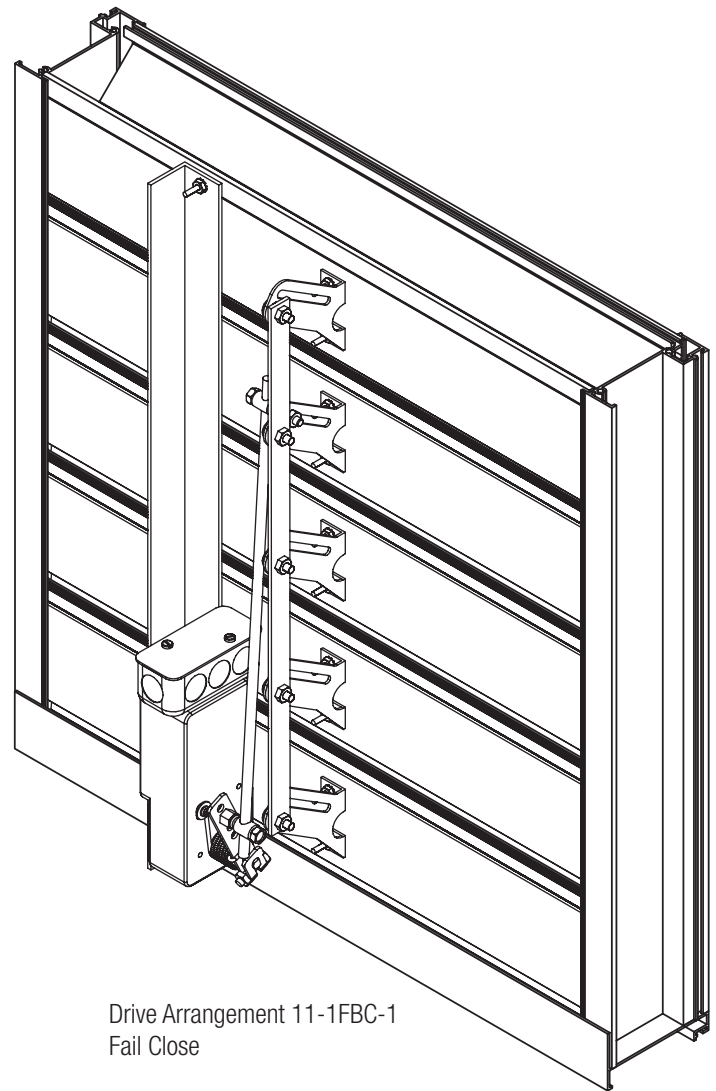


Installation, Operation, and Maintenance Instructions

This manual is the property of the owner, and is required for future maintenance.
Please leave it with the owner when the job is complete.



Drive Arrangement 11-1FBC-1
Fail Open

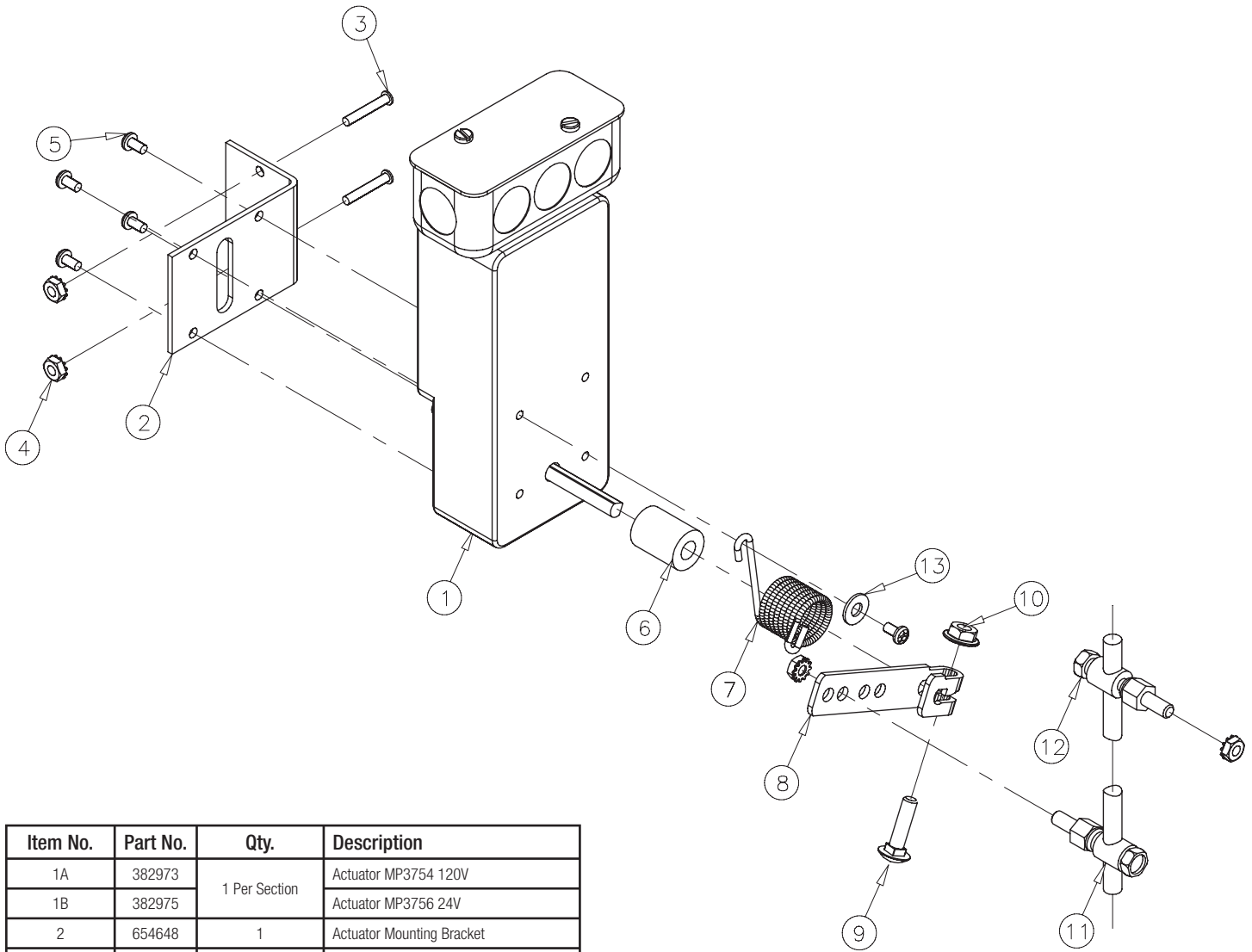


Drive Arrangement 11-1FBC-1
Fail Close

Note: This drawing depicts how the actuator looks after installation. The louver shown is intended to be a general representation and the actual louver model may vary. Reference the drawing on page 2 for an exploded view and parts list.

SAFETY WARNING:

Improper installation, adjustment, alteration, service or maintenance can cause property damage, injury or death. Read the installation, operating, and maintenance instructions thoroughly before installing or servicing this equipment.



Item No.	Part No.	Qty.	Description
1A	382973	1 Per Section	Actuator MP3754 120V
1B	382975		Actuator MP3756 24V
2	654648	1	Actuator Mounting Bracket
3	416010	2	#10-32 x 1 Threadstudd SS
4	415991	2	#10-32 SS Keps Nut
5	415825	5	#8-32x5/16 LRPB ZP W/Nylon Patch
6	454157	1	Spring Spacer
7	454158	1	Spring
8	718659	1	Linkage Arm
9	415423	1	Bolt, CRG, 1/4-20x1, ZP
10	415455	1	1/4-20 Nut ZP
11	451554	2	1/4-20x9/16 Ball Swivel
12	656473	1	5/16 Dia Rod (16" Long)
13	415083	1	Washer