

Greenheck Universal 3D CAD Content

Are you looking for a CAD drawing? At Greenheck, we respect that not all firms are using Revit and are happy to provide you a .dwg, .dgn, or .sat file format for any model that currently exists in our Revit® library.

The .dwg, .dgn, or .sat 3D file formats can be used in most other product platforms, including but not limited to other Autodesk products, Bentley Microstation, CadDuct, ArchiCAD, etc.

How to request a file.

Complete the [CAD Request Form](#). Please send us your CAPS job file (required) and we will place all the available models in a Project and e-mail the exported results to you.

(Note: the requested model must exist in Revit format.)

Example downloads

CAD.dwg CAD.dgn CAD.sat

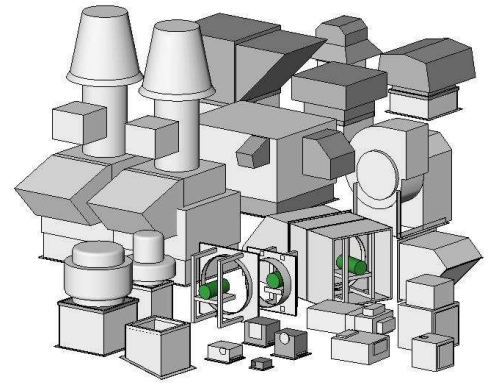
[Click here](#) to download examples

Model Contents

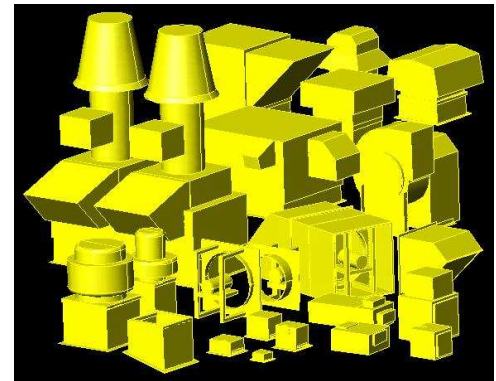
Models are to scale 3D solids that include critical options and accessories, containing both mechanical and plumbing utility outlines. (Connections appear as raised areas simulating a duct or pipe.) Users will be able to match up their mechanical and plumbing connections to these areas.

Export layering options

Various export Layering/Color standards are available; the American Institute of Architects Standard (AIA) is the default. If you need something other than the default, please specify within your request.



Base Revit Content .rfa



Exported CAD Content (.dwg)

